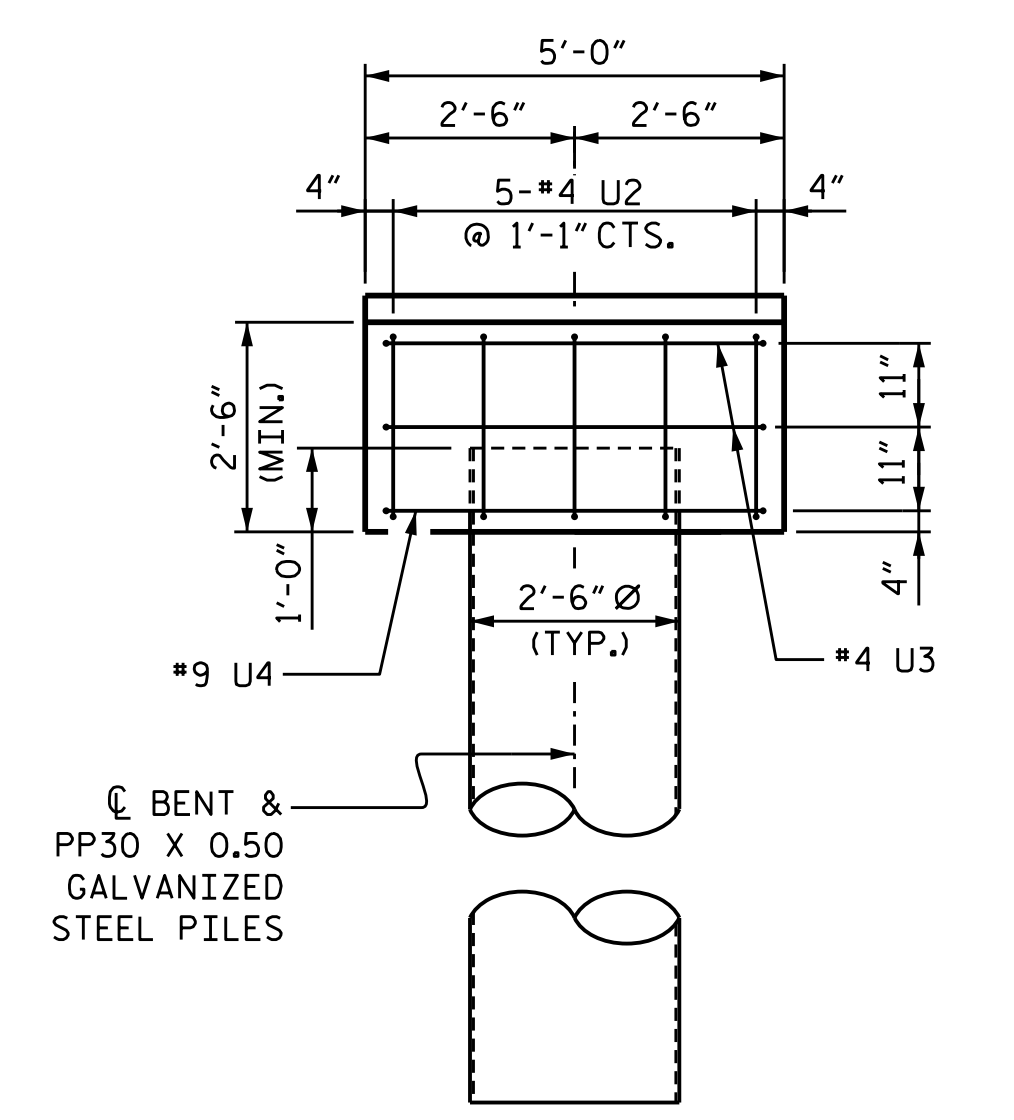
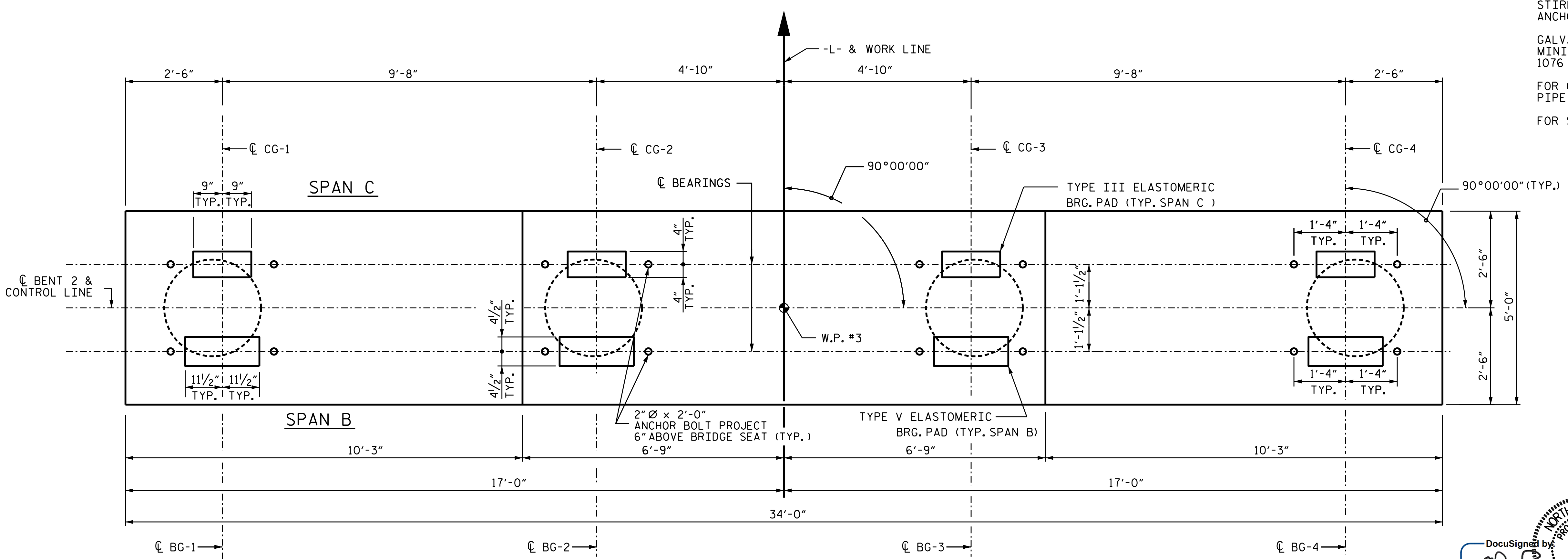


PLAN OF CAP - BENT 1



TYPICAL END ELEVATION



PLAN OF CAP - BENT 2

NOTES

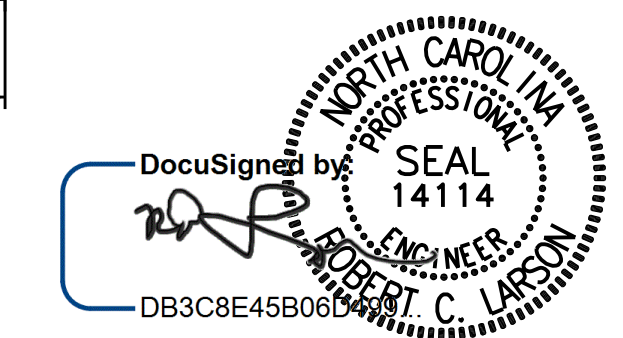
- STIRRUPS IN CAP MAY BE SHIFTED AS NECESSARY TO CLEAR ANCHOR BOLTS.
- GALVANIZE THE TOP OF EACH INTERIOR BENT PILE A MINIMUM OF 45'. GALVANIZE IN ACCORDANCE WITH SECTION 1076 OF THE STANDARD SPECIFICATIONS.
- FOR CONCRETE PLUG AND REINFORCING IN PILES SEE "30" STEEL PIPE PILE" SHEET.
- FOR SECTION THRU BENT CAP SEE SHEET 2 OF 2

PROJECT NO. B-5703  
CUMBERLAND/HARNETT COUNTY  
 STATION: 16+92.70 -L-

SHEET 1 OF 2

STATE OF NORTH CAROLINA  
 DEPARTMENT OF TRANSPORTATION  
 RALEIGH

**SUBSTRUCTURE  
 BENT 1 OR 2**



KCI JOB NO: 251801945.13

DESIGN ENGINEER OF RECORD: [Signature] DATE: 7/1/2021  
 DRAWN BY: A. K. ALLANKR DATE: 09/23/20  
 CHECKED BY: R. C. LARSON DATE: 09/27/20

**DOCUMENT NOT CONSIDERED FINAL  
 UNLESS ALL SIGNATURES COMPLETED**

ENGINEERS & PLANNERS & SCIENTISTS & CONSTRUCTION MANAGERS LICENSE NUMBER: C-0784  
**KCI Associates**  
 of North Carolina, P.A.  
 4205 Falls of Neuse Road, Suite 400 Raleigh, NC 27609-6270 Phone: 919-785-9244

REVISIONS		SHEET NO.	
NO.	DATE	NO.	DATE
1		3	
2		4	

TOTAL SHEETS: 29