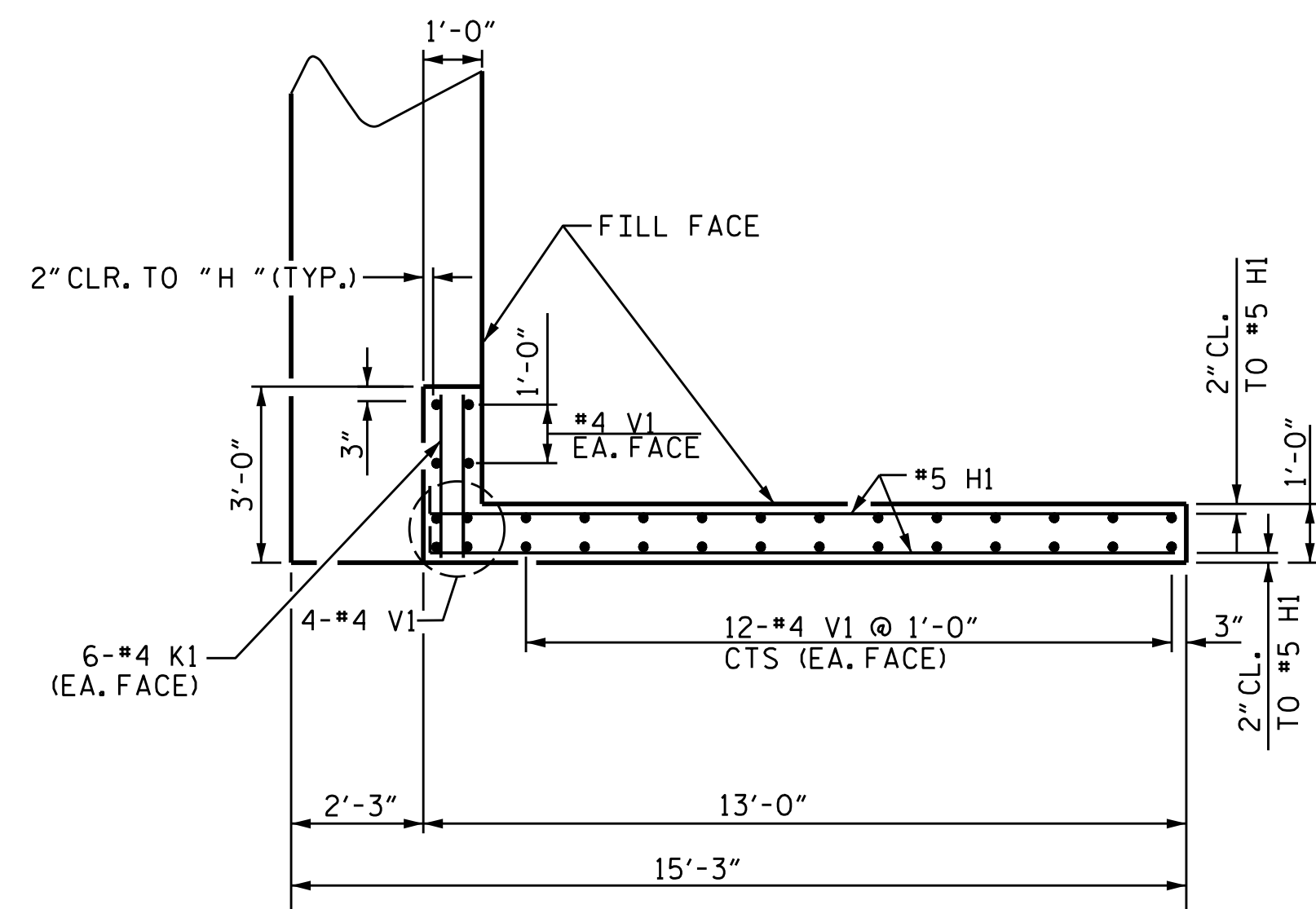
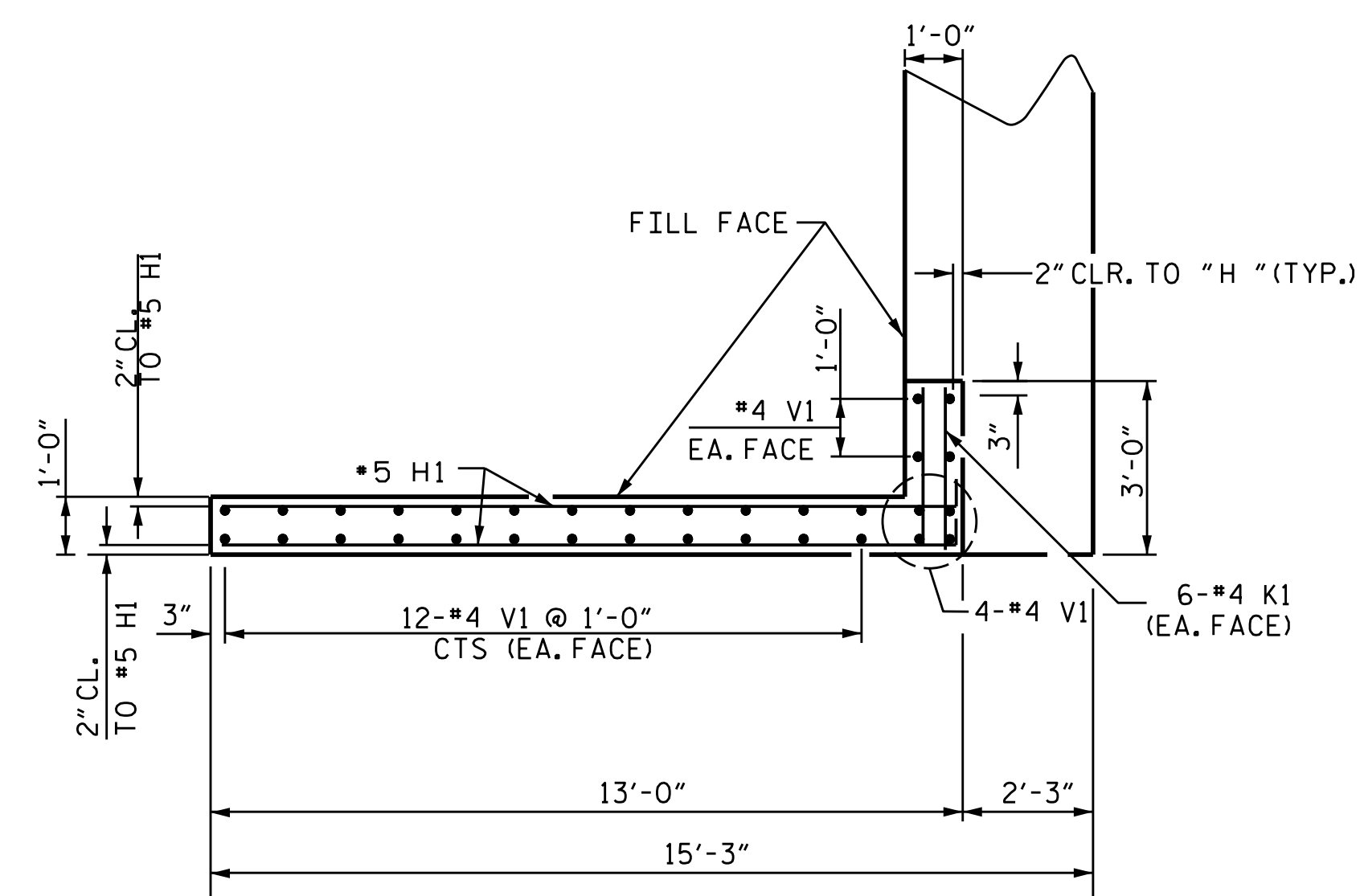


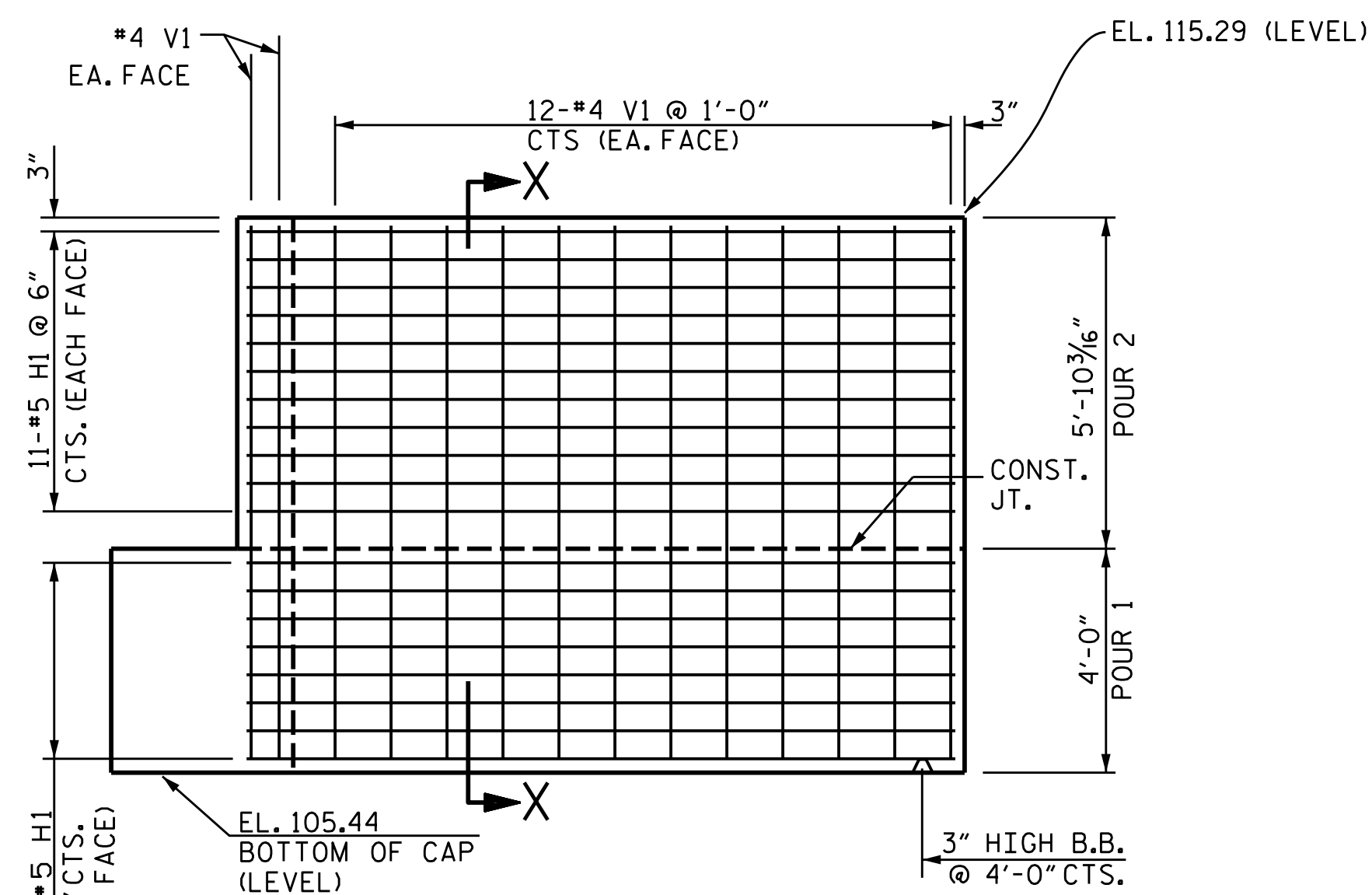
KCI JOB NO: 251801945.13



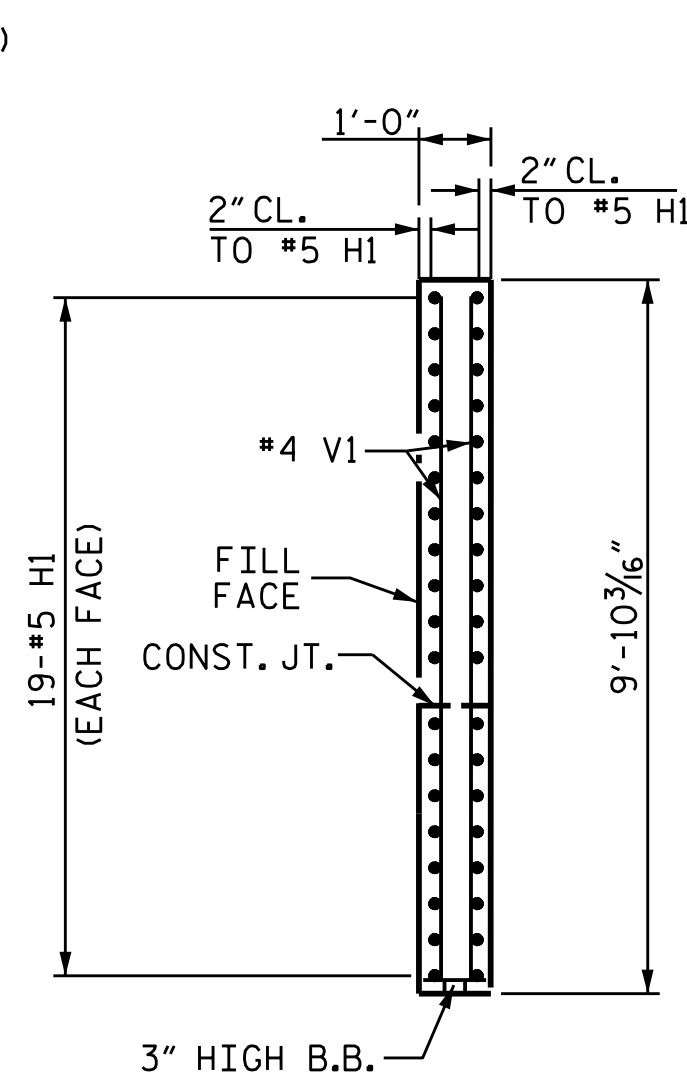
PLAN W1



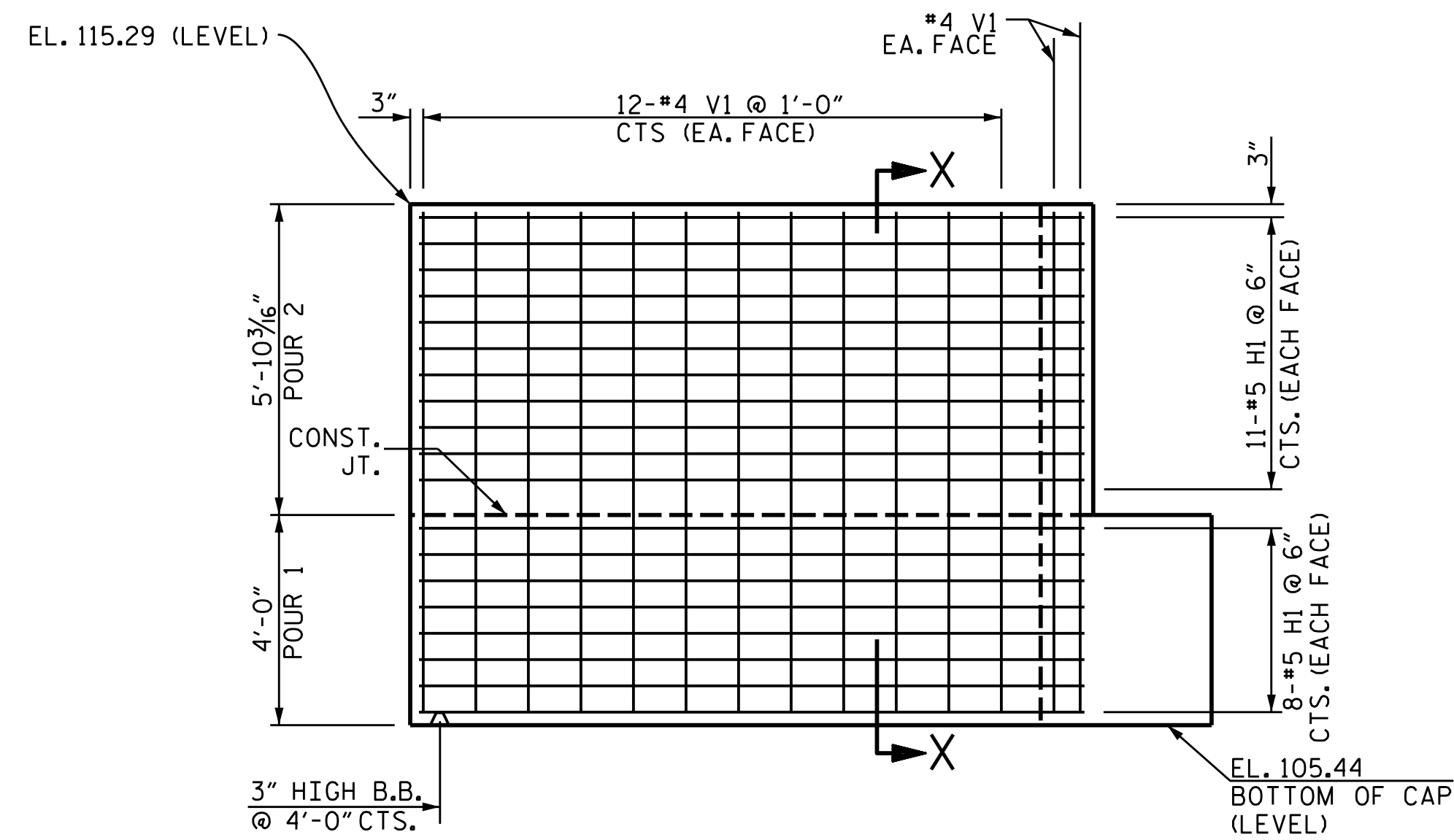
PLAN W2



ELEVATION W1



SECTION X-X



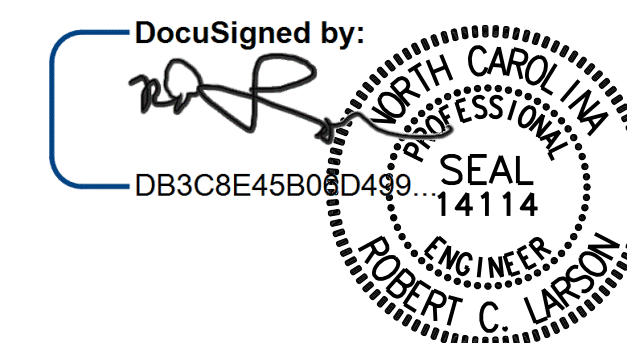
ELEVATION W2

PROJECT NO. B-5703
 CUMBERLAND/HARNETT COUNTY
 STATION: 16+92.70 -L-

SHEET 2 OF 3

STATE OF NORTH CAROLINA
 DEPARTMENT OF TRANSPORTATION
 RALEIGH

SUBSTRUCTURE
 END BENT 1



7/1/2021

DESIGN ENGINEER OF RECORD: [Signature] DATE: 7/1/2021
 DRAWN BY: F. A. BARHAM DATE: 03/12/19
 CHECKED BY: R. C. LARSON DATE: 09/21/20

DOCUMENT NOT CONSIDERED FINAL
 UNLESS ALL SIGNATURES COMPLETED

ENGINEERS • PLANNERS • SCIENTISTS • CONSTRUCTION MANAGERS LICENSE NUMBER: C-0764
KCI Associates
 of North Carolina, P.A.
 4505 Falls of House Road, Suite 400 Raleigh, NC 27609-6270 Phone: (919) 785-5241

REVISIONS		SHEET NO.	
NO.	DATE	NO.	DATE
1		3	
2		4	

TOTAL SHEETS: 29