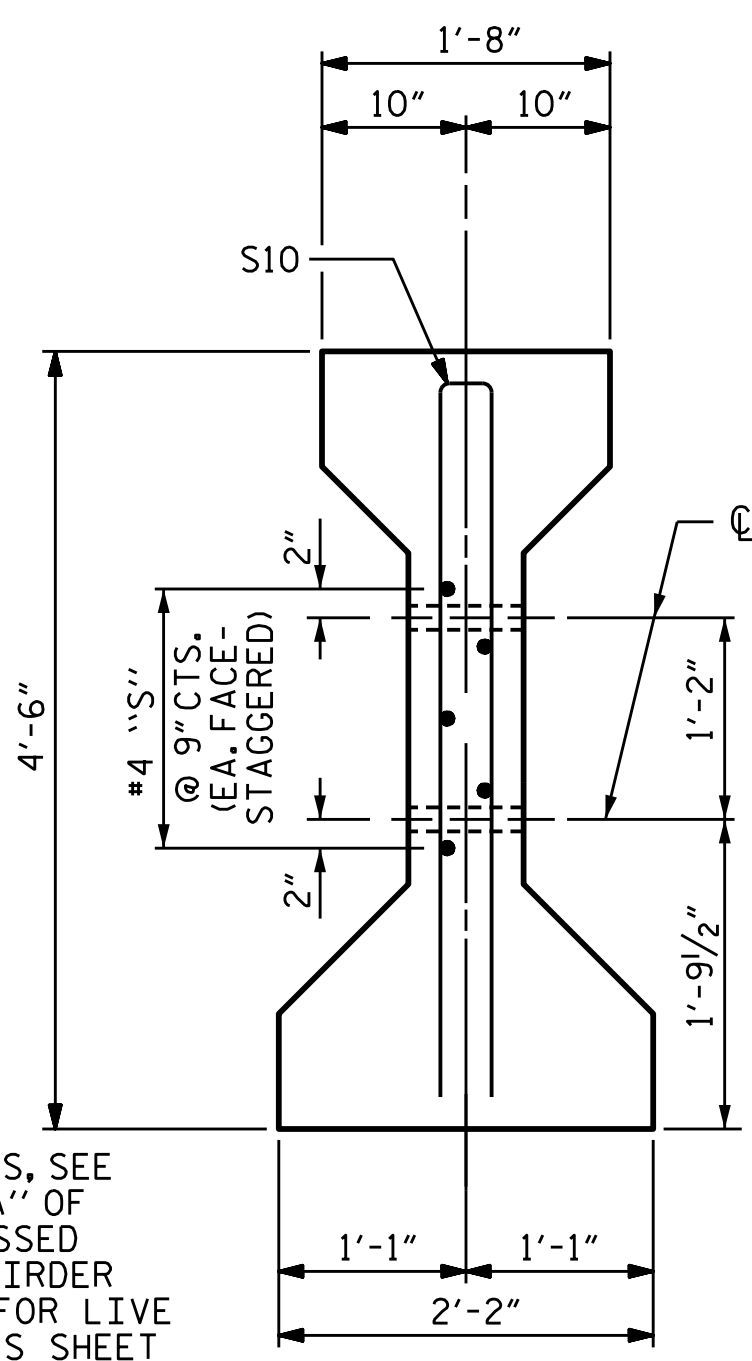


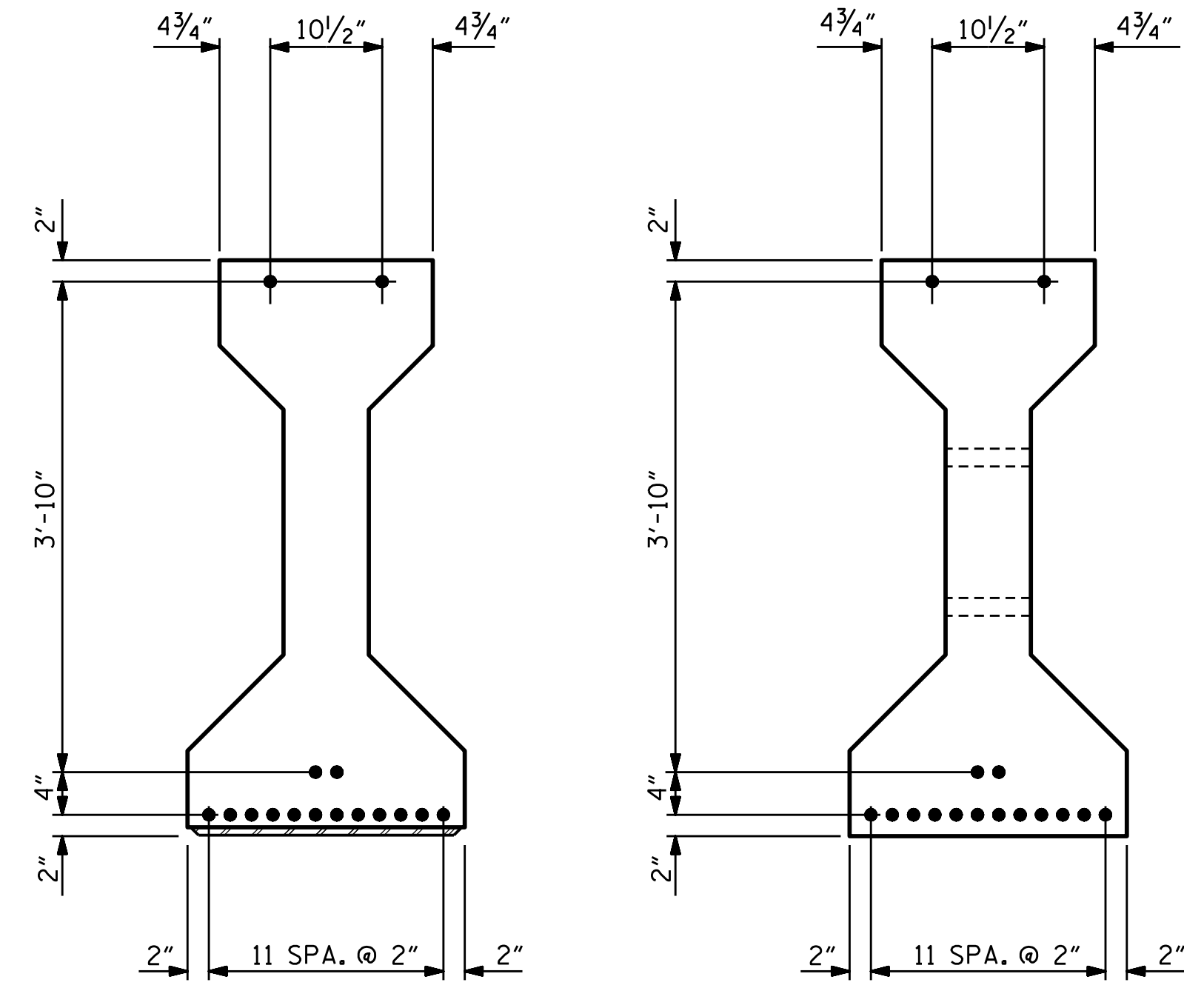
SECTION A-A

SECTION B-B



SECTION C-C  
(S1 BARS NOT SHOWN)

\* FOR S7 BARS, SEE  
DETAIL "A" OF  
PRESTRESSED  
CONCRETE GIRDER  
CONTINUOUS FOR LIVE  
LOAD DETAILS SHEET

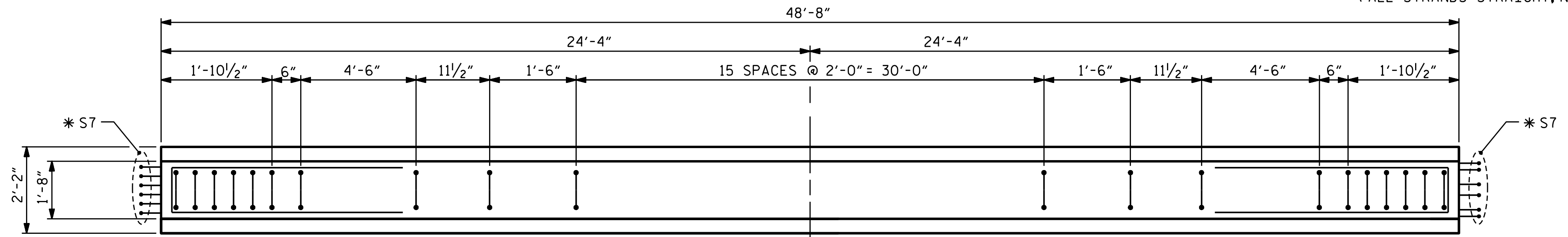


AT END OF GIRDER

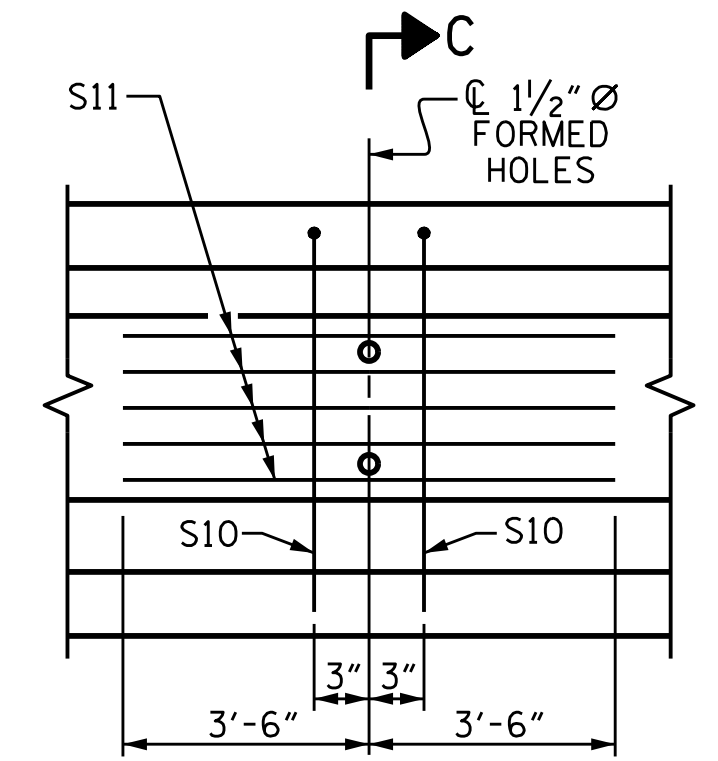
AT C OF GIRDER

0.6" Ø LOW RELAXATION STRAND LAYOUT

( ALL STRANDS STRAIGHT; NO DEBONDING REQUIRED )

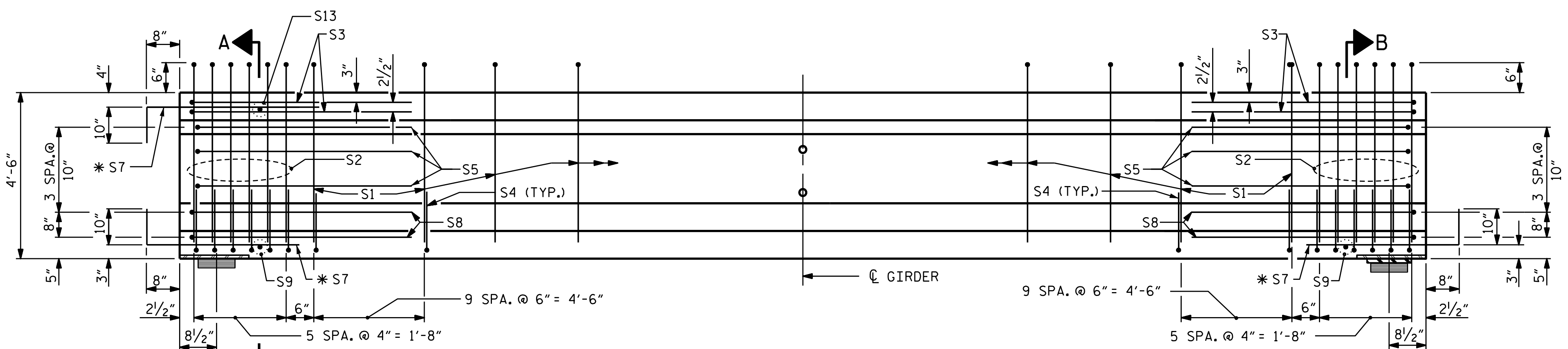


PLAN OF GIRDER



PARTIAL ELEVATION

SHOWING INTERMEDIATE DIAPHRAGM  
REINFORCING STEEL FOR ALL GIRDERS



ELEVATION OF GIRDER

( SEE PARTIAL ELEVATION FOR ADDITIONAL "S" BARS )  
( SPAN A SHOWN; SPAN C SIMILAR BY REFLECTION ABOUT C GIRDER )

0.6" Ø L. R. GRADE 270 STRANDS

AREA (SQUARE INCHES)	ULTIMATE STRENGTH (LBS. PER STRAND)	APPLIED PRESTRESS (LBS. PER STRAND)
0.217	58,600	43,950

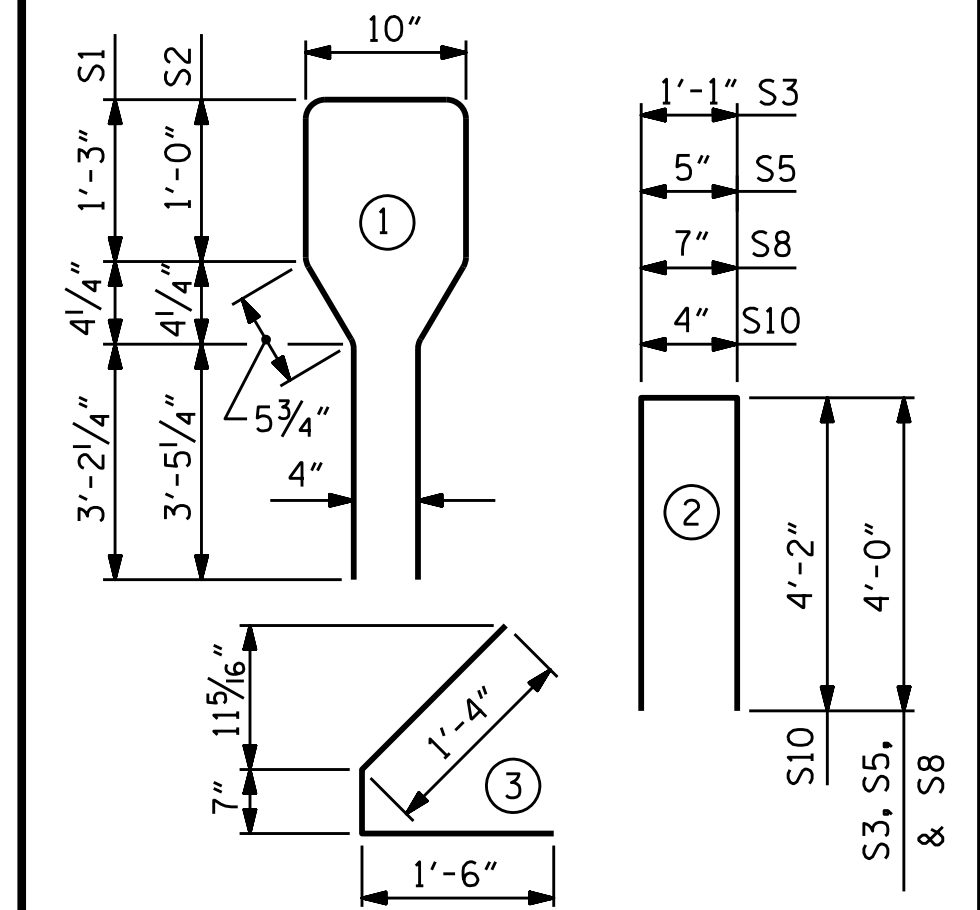
REINFORCING STEEL FOR ONE GIRDER

BAR	NUMBER	SIZE	TYPE	LENGTH	WEIGHT
S1	38	#4	1	10'-8"	271
S2	12	#6	1	10'-8"	192
S3	4	#4	2	9'-1"	24
S4	64	#4	3	3'-5"	146
S5	6	#4	2	8'-5"	34
*S7	18	#5	STR	3'-8"	69
S8	4	#4	2	8'-7"	23
S9	2	#3	STR	1'-10"	1
S10	2	#5	2	8'-8"	18
S11	5	#4	STR	7'-0"	23
S13	1	#3	STR	1'-4"	1

\* NOTE: S7 BARS SHALL BE BENT BEFORE  
SHIPMENT. HEAT BENDING SHALL  
NOT BE ALLOWED.

BAR TYPES

ALL BAR DIMENSIONS ARE OUT-TO-OUT



QUANTITIES FOR ONE GIRDER

REINFORCING STEEL	5000 PSI CONCRETE	0.6" Ø L. R. STRANDS
LB.	C.Y.	No.
802	9.9	16

GIRDERS REQUIRED

NUMBER	LENGTH	TOTAL LENGTH
8	48'-8"	389'-4"

PROJECT NO. B-5703

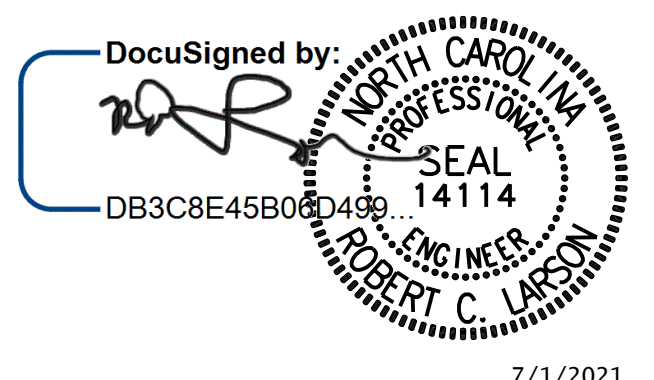
CUMBERLAND/HARNETT COUNTY

STATION: 16+92.70 -L-

SHEET 1 OF 3

STATE OF NORTH CAROLINA  
DEPARTMENT OF TRANSPORTATION  
RALEIGH

STANDARD  
AASHTO TYPE IV  
PRESTRESSED CONCRETE GIRDER  
CONTINUOUS FOR LIVE LOAD  
SPAN A OR C



KCI JOB NO: 251801945.13

DESIGN ENGINEER OF RECORD	DocuSigned by:	DATE: 7/1/2021
ASSEMBLED BY: A. K. ALLANK	DATE: 02/14/19	
CHECKED BY: R. C. LARSON	DATE: 02/15/19	
DRAWN BY: ELR 8/91	REV. 10/1/11	MAA/GM
CHECKED BY: GRP 8/91	REV. 1/15	MAA/TMG
	REV. 12/17	MAA/THC

DOCUMENT NOT CONSIDERED FINAL  
UNLESS ALL SIGNATURES COMPLETED

DocuSigned by: 

Professional Engineer Seal for Robert C. Larson, License No. 14114, State of North Carolina.

NO.	BY:	DATE:	NO.	BY:	DATE:
1			3		
2			4		

SHEET NO. S-10  
TOTAL SHEETS 29