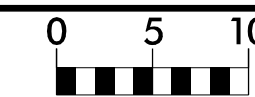


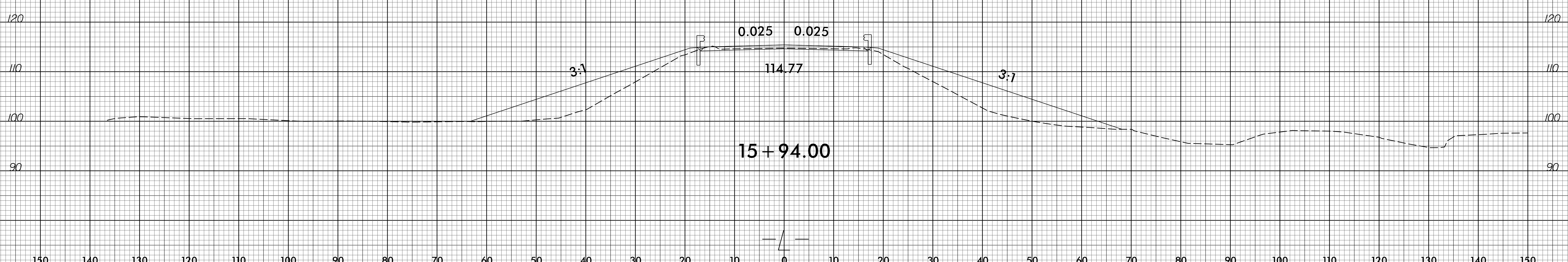
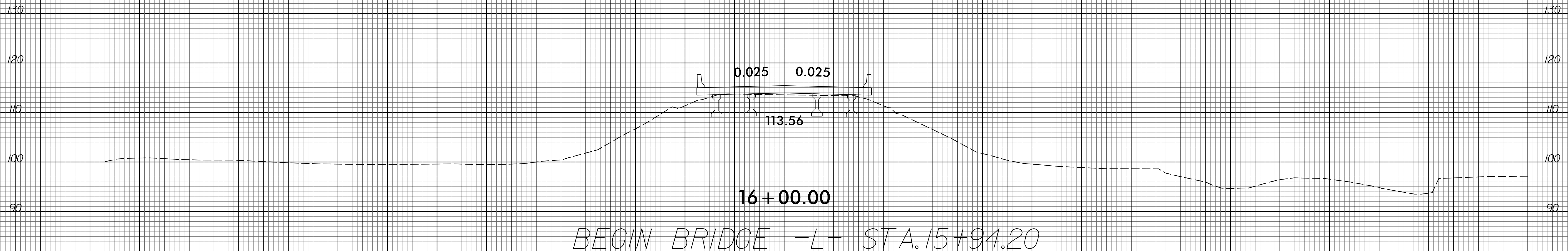
6/23/16



PROJ. REFERENCE NO.
B-5703

SHEET NO.
X-4

150 140 130 120 110 100 90 80 70 60 50 40 30 20 10 0 10 20 30 40 50 60 70 80 90 100 110 120 130 140 150



150 140 130 120 110 100 90 80 70 60 50 40 30 20 10 0 10 20 30 40 50 60 70 80 90 100 110 120 130 140 150

I:\4-APR-2020_10:54
 \2018\180145\13 B-5703\Roadway\CorridorModeling\B-5703_Rdy_xpl.dgn
 3:30:58 PM 6/23/16