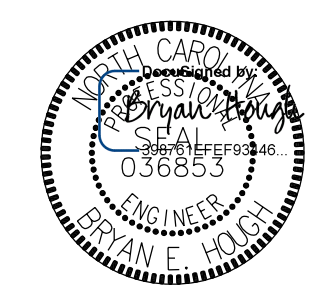

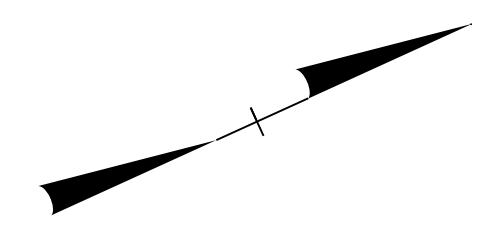


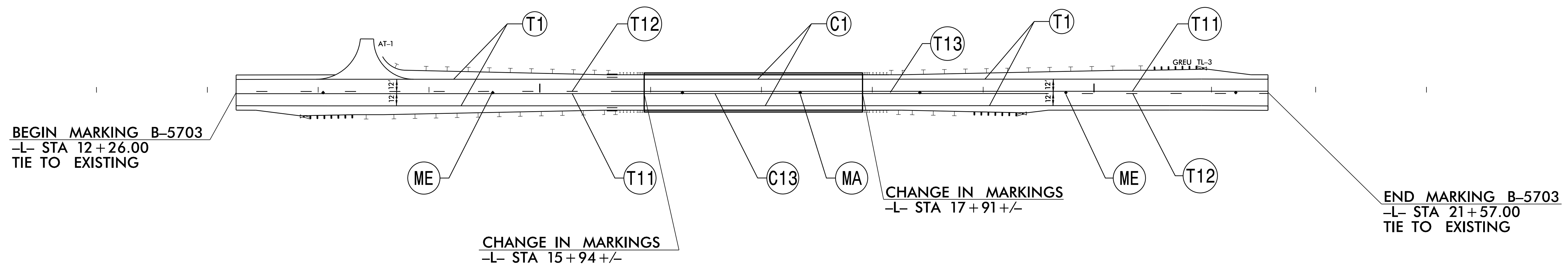
PROJ. REFERENCE NO. B-5703	SHEET NO. PMP-3
APPROVED: _____ DATE: 5/18/2021	
SEAL 	
 <b>KCI</b> <small>Engineers • Planners • Scientists • Construction Managers          4601 Six Forks Road, Landmark Center II, Suite 210          Raleigh, NC 27609-5210          Phone (919) 783-9214 • Fax (919) 783-9266</small>	



10

15

20



PAVEMENT MARKING SCHEDULE	
<b>T1</b> THERMOPLASTIC (4", 90 MILS) WHITE EDGELINE (4")	<b>C1</b> COLD APPLIED PLASTIC WHITE EDGE LINE (4")
<b>T13</b> THERMOPLASTIC (4", 90 MILS) YELLOW DOUBLE CENTER (4")	<b>C13</b> COLD APPLIED PLASTIC YELLOW DOUBLE CENTER (4")
<b>T11</b> THERMOPLASTIC (4", 90 MILS) YELLOW SINGLE CENTER (4")	<b>MA</b> PERMANENT RAISED MARKER (YELLOW AND YELLOW)
<b>T12</b> THERMOPLASTIC (4", 90 MILS) 10 FT. YELLOW SKIP (4")	<b>ME</b> SNOWPLOWABLE MARKER (YELLOW AND YELLOW)

**PAVEMENT MARKING DETAIL  
AND SCHEDULE**

07-DEC-2020 09:23  
 N:\2018\201801945.13 B-5703\Traffic\TrafficControl\TCP\B5703\_PMP\_03.dgn  
 \$\$\$SUBDERIVED\$\$\$