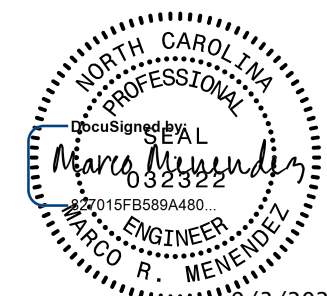

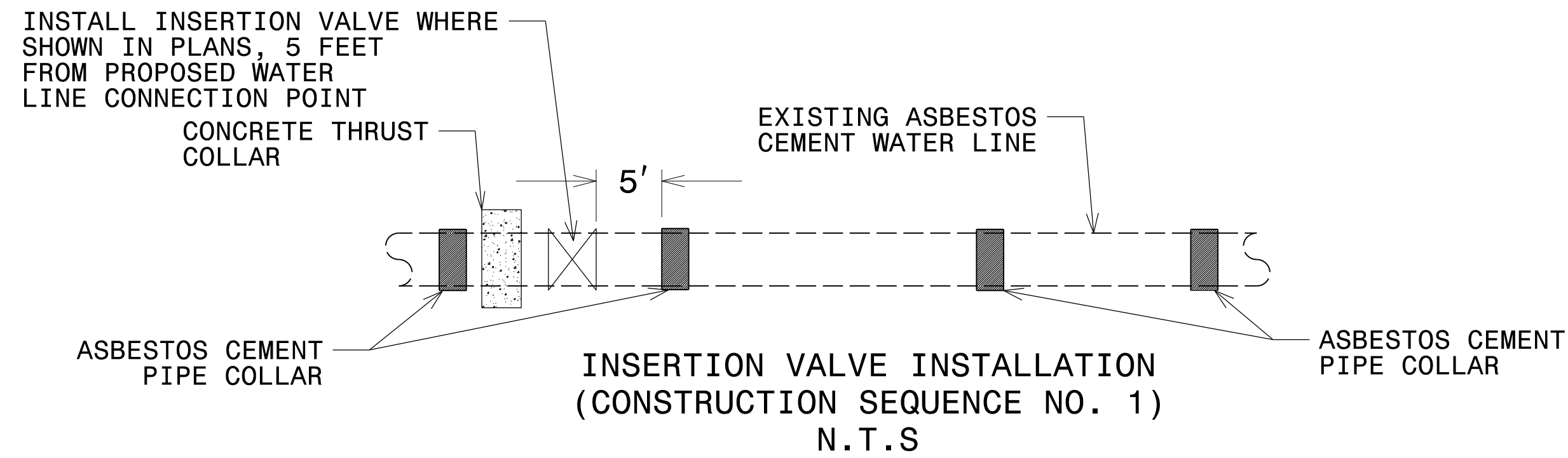


WATER MAIN CONNECTION DETAIL AND CONSTRUCTION SEQUENCE

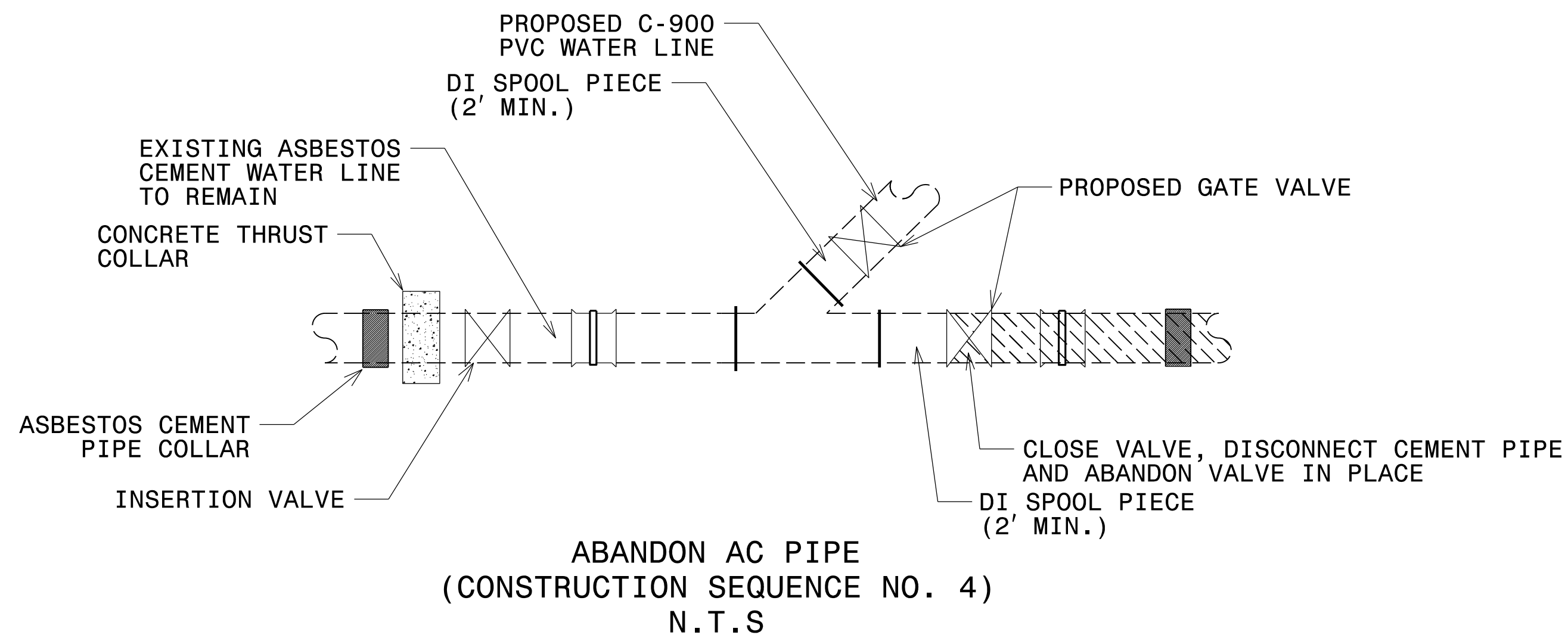
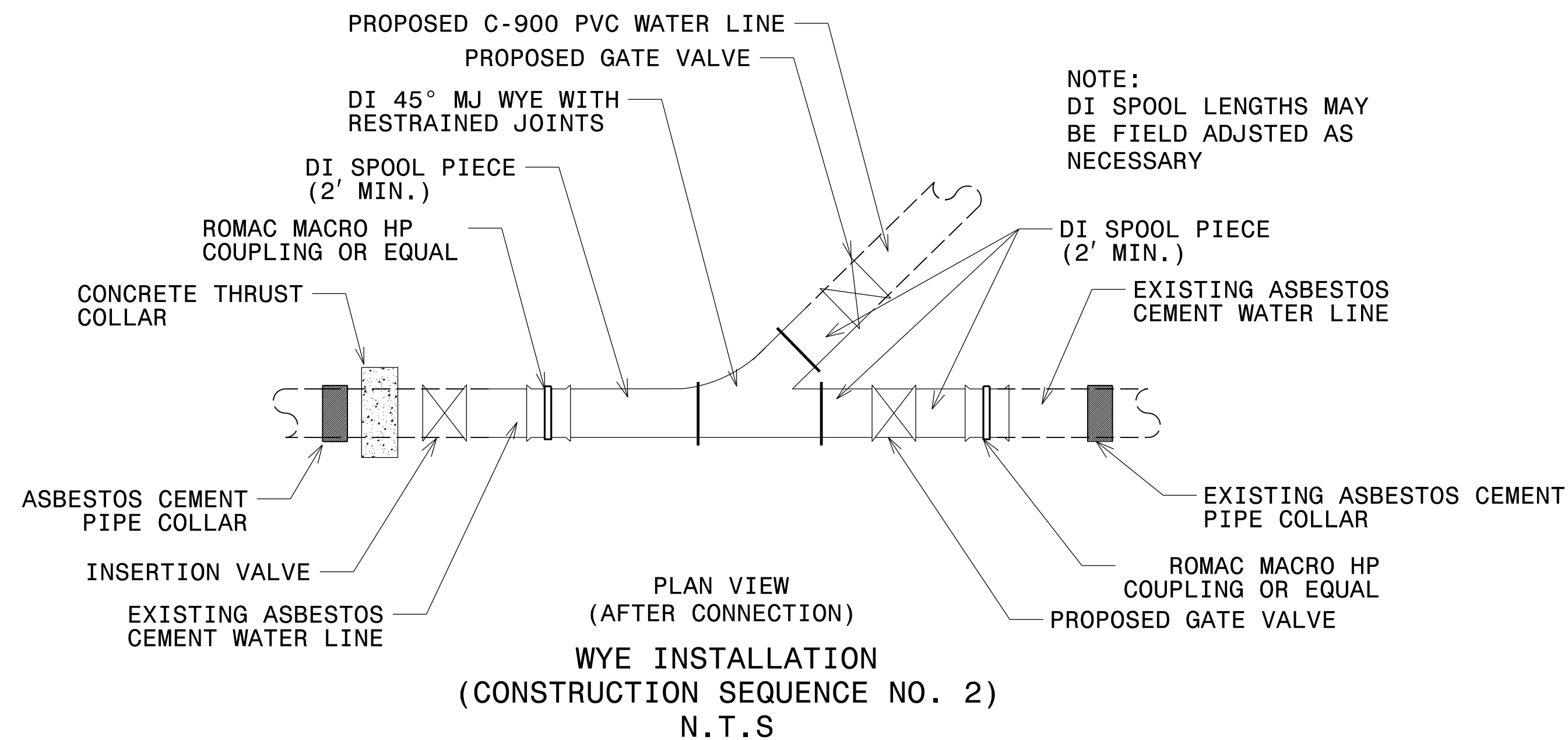
PROJECT REFERENCE NO. <i>R-5020B</i>	SHEET NO. <i>UC-3A</i>
DESIGNED BY: <i>DK</i>	
DRAWN BY: <i>AP</i>	
CHECKED BY: <i>MM</i>	
APPROVED BY:	
REVISED:	
NORTH CAROLINA DEPARTMENT OF TRANSPORTATION	
UTILITIES ENGINEERING SEC. PHONE: (919) 707-6690 FAX: (919) 250-4151	UTILITY CONSTRUCTION PLANS ONLY
 Engineers • Planners • Scientists • Construction Managers 4509 Falls of Neuse Road, Suite 400 Raleigh, NC 27609 Phone (919) 783-9214 • Fax (919) 783-9266 License No. C-764	

UTILITY CONSTRUCTION
DOCUMENT NOT CONSIDERED FINAL
UNLESS ALL SIGNATURES COMPLETED



WATER MAIN CONNECTION SUGGESTED CONSTRUCTION SEQUENCE

1. INSTALL INSERTION VALVES WHERE SHOWN ON THE PLANS (SEE DETAIL). INSTALL CONCRETE THRUST COLLAR ON EXISTING WATERLINE. FOR CONCRETE BLOCK SIZING AND REINFORCING, SEE DETAIL ON SHEET UC-3B.
2. INSTALL ALL WYE ASSEMBLIES AS DETAILED ON SHEET UC-3A. DO NOT SCHEDULE MORE INSTALLATIONS PER DAY THAN CAN BE COMPLETED IN AN 8 HOUR PERIOD. SWAB CHLORINATE THE NEW WYE ASSEMBLIES, INCLUDING VALVES, COUPLING AND PIPE, THOROUGHLY WITH A CONCENTRATED CHLORINE SOLUTION PRIOR TO INSTALLATION. COORDINATE WITH THE CITY OF WHITEVILLE TO CLOSE ALL INSERTION VALVES NECESSARY, TO STOP WATER FLOW DURING THIS WORK. THE CITY OF WHITEVILLE SHOULD BE GIVEN SUFFICIENT NOTICE (NO LESS THAN 72 HOURS) SO THAT AFFECTED WATER CUSTOMERS CAN BE ADVISED OF THE EXPECTED DISRUPTION OF SERVICE. THIS WORK MAY BE COMPLETED AT NIGHT IF COORDINATED WITH THE CITY OF WHITEVILLE AND NCDOT. SEE SPECIAL PROVISIONS FOR HANDLING AND DISPOSAL OF CEMENT PIPE REMOVED FROM THE EXISTING WATER LINE. FILL MATERIAL UNDER THE NEW WYE ASSEMBLIES WILL BE ADEQUATELY COMPACTED TO ENSURE NO SETTLING OCCURS. SOME AREAS MAY REQUIRE SELECT FILL DEPENDING ON THE EXISTING GROUND WATER CONDITION.
3. CONNECT TO THE NEW WYE ASSEMBLIES AND INSTALL PROPOSED WATER MAINS, GATE VALVES AND APPURTENANCES. CONNECTION VALVES WILL REMAIN CLOSED UNTIL PRESSURE TESTING, CHLORINATING AND FLUSHING OF THE NEW WATER LINE SYSTEM IS REQUIRED. THE CONTRACTOR WILL INSTALL TAPS ON EACH END OF EACH NEW WATER LINE TO FEED CHLORINE AND RELEASE AIR. NEW FIRE HYDRANTS CAN BE UTILIZED FOR AIR RELEASE AS WELL. COORDINATE WITH THE CITY OF WHITEVILLE TO ENSURE THERE IS AN ADEQUATE WATER SUPPLY FOR FILLING AND FLUSHING OF NEW WATER LINES. PERFORMING THIS WORK DURING OFF PEAK HOURS WILL BE REQUIRED. AS SOON AS EACH NEW SEGMENT OF WATER LINE IS TESTED AND CHLORINATED, INSTALL NEW SERVICE TAPS, RELOCATE EXISTING METERS AND RECONNECT SERVICES ON THAT PORTION OF NEW LINE THAT IS APPROVED FOR SERVICE. THE EXISTING WATER SYSTEM WILL REMAIN IN SERVICE DURING THE INSTALLATION OF THE NEW WATER LINES. THE CITY OF WHITEVILLE WILL BE ONSITE TO CONFIRM ALL NECESSARY VALVES ARE OPENED AFTER THE WYE ASSEMBLIES HAVE BEEN INSTALLED.
4. ONCE ALL THE NEW WATER LINE IS INSTALLED AND IN SERVICE, REVISIT EACH WYE LOCATION AND DISCONNECT THE EXISTING CEMENT PIPE FROM THE NEW GATE VALVE ON THE WYE ASSEMBLY. ENSURE THE GATE VALVE CONNECTION IS CLOSED AND NOT LEAKING, THEN ABANDON THE GATE VALVE IN PLACE. DISPOSE OF THE REMOVED CEMENT PIPE ACCORDING TO THE REQUIREMENTS IDENTIFIED IN THE SPECIAL PROVISIONS.



5/14/99
 13-APR-2020 17:55
 R-5020B-UC-3A.dgn
 Sanitary\R-5020B-ut-UC03A.dtl.dgn
 100T