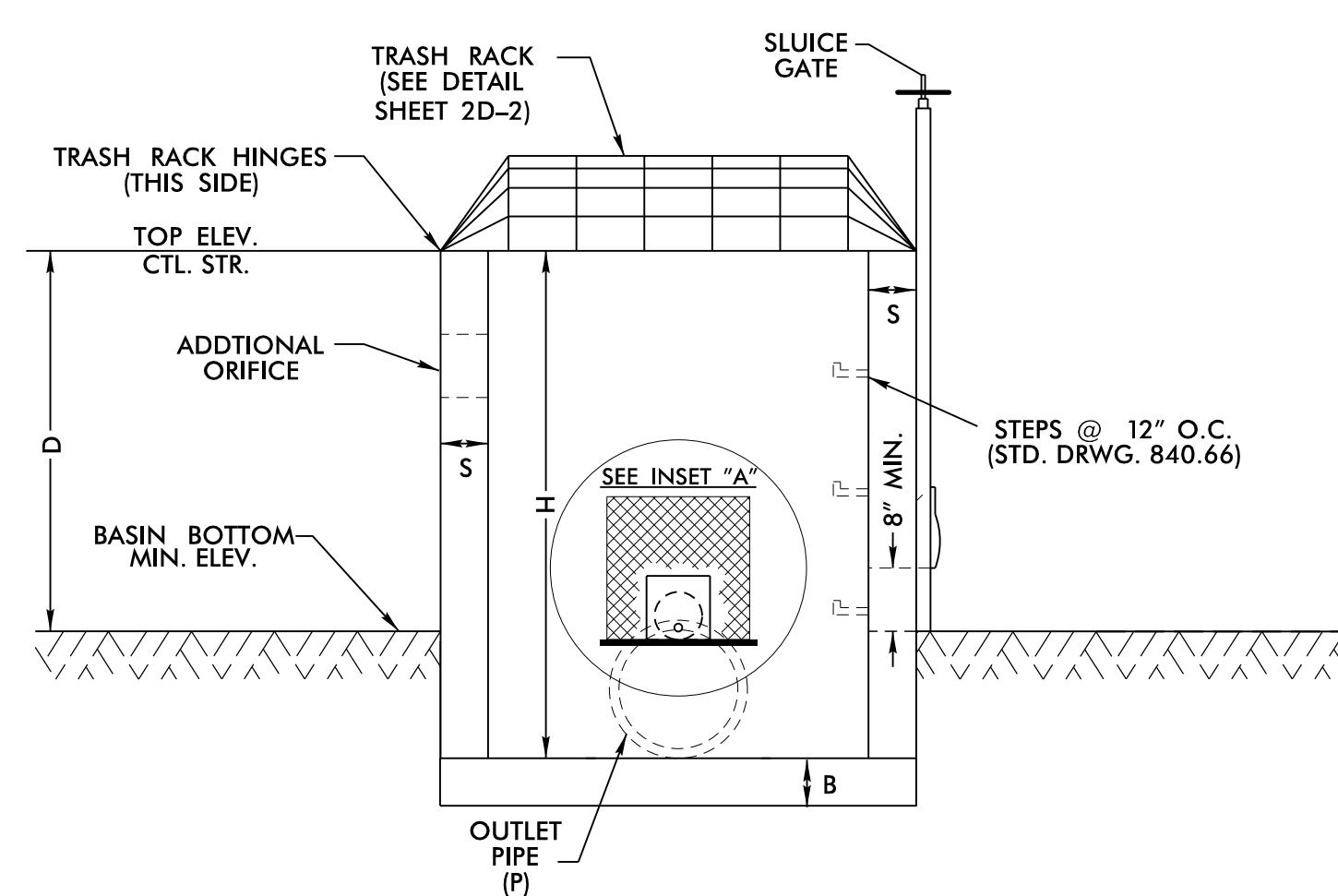
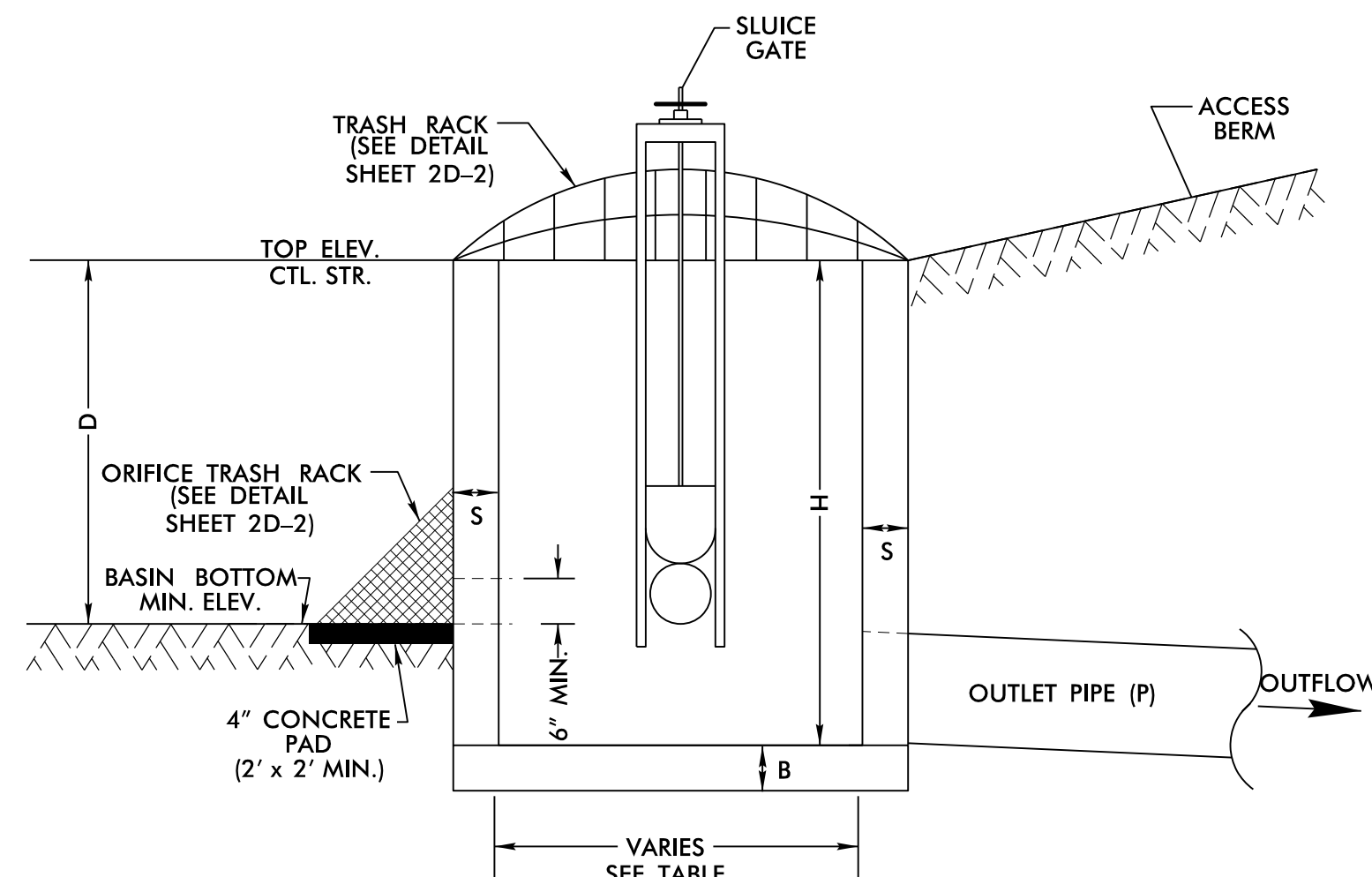


DETAIL 12
DRY DETENTION BASIN DRAWDOWN STRUCTURE

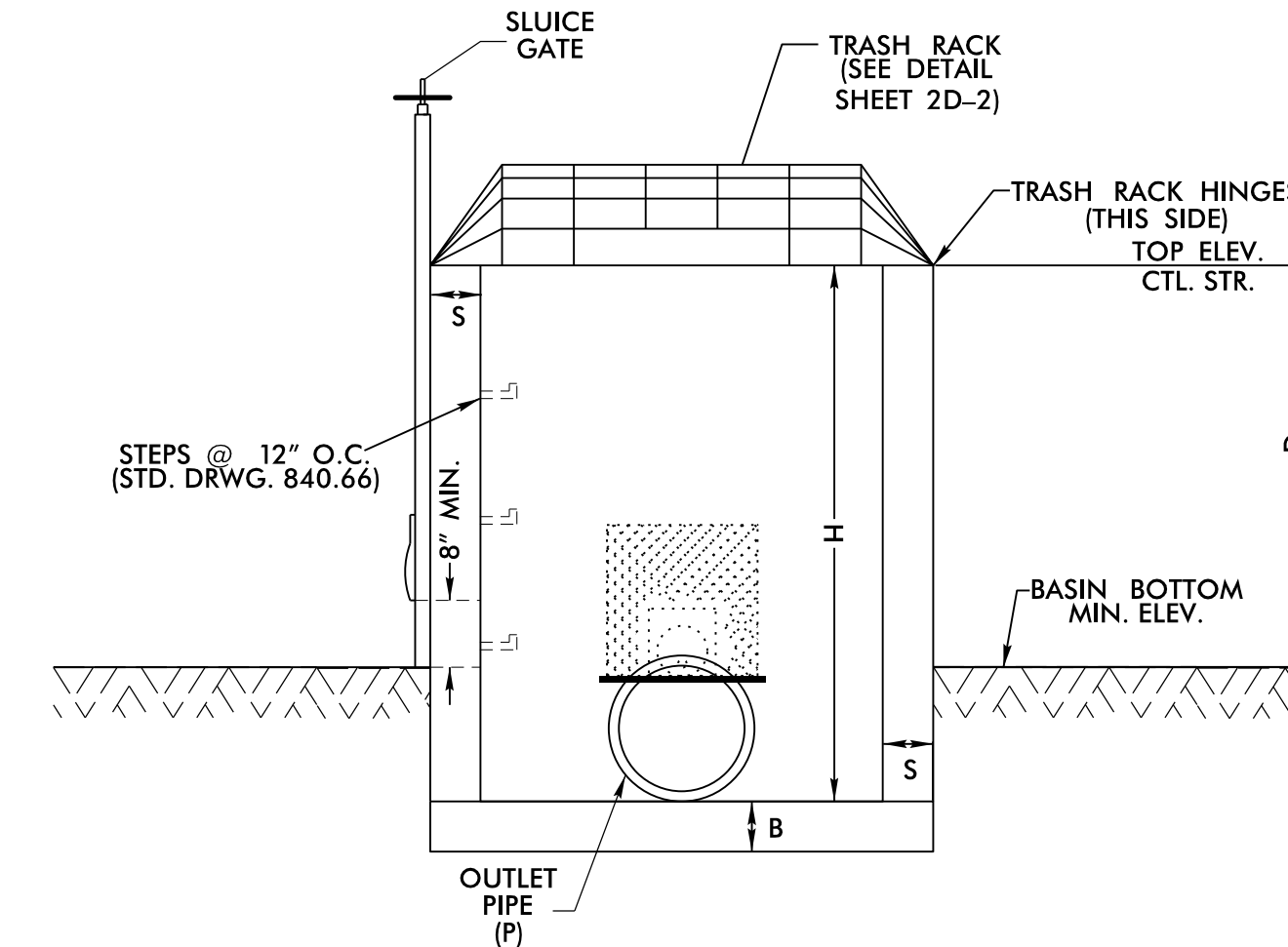
NOT TO SCALE



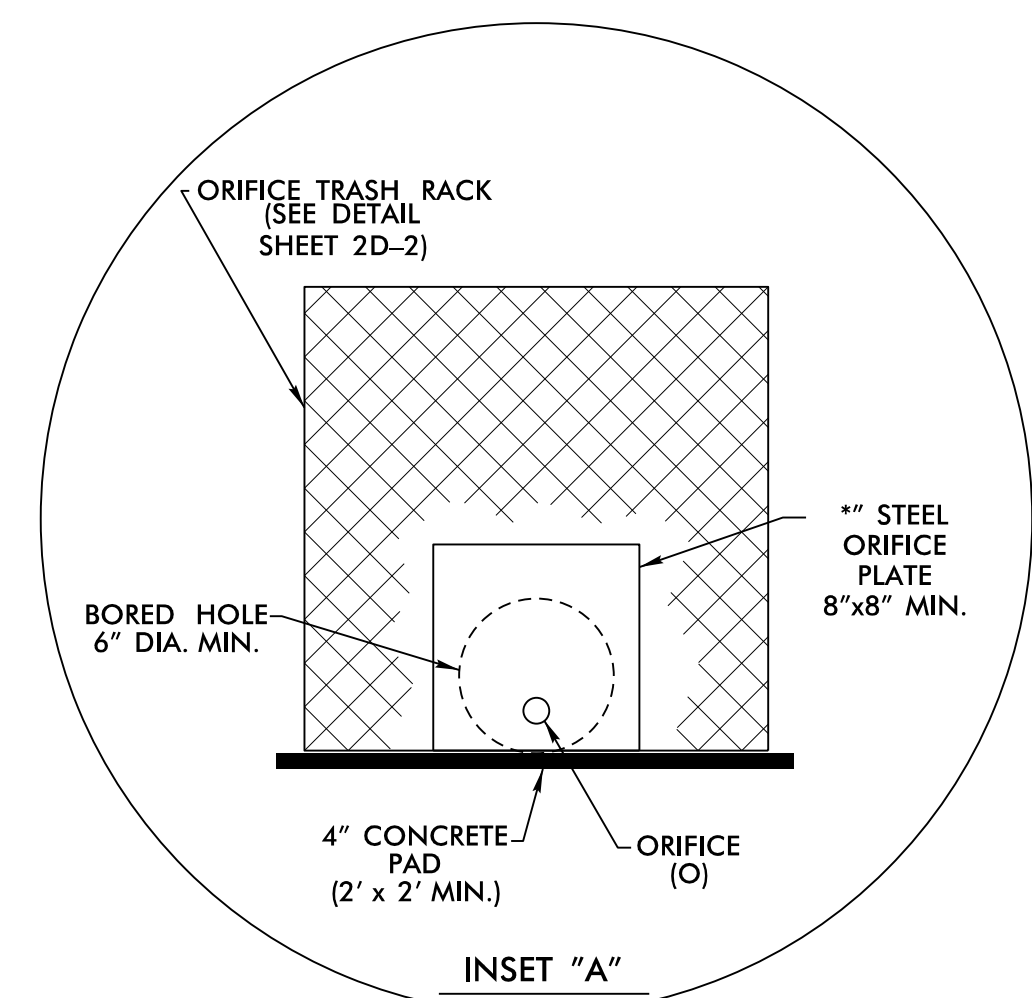
SIDE 1



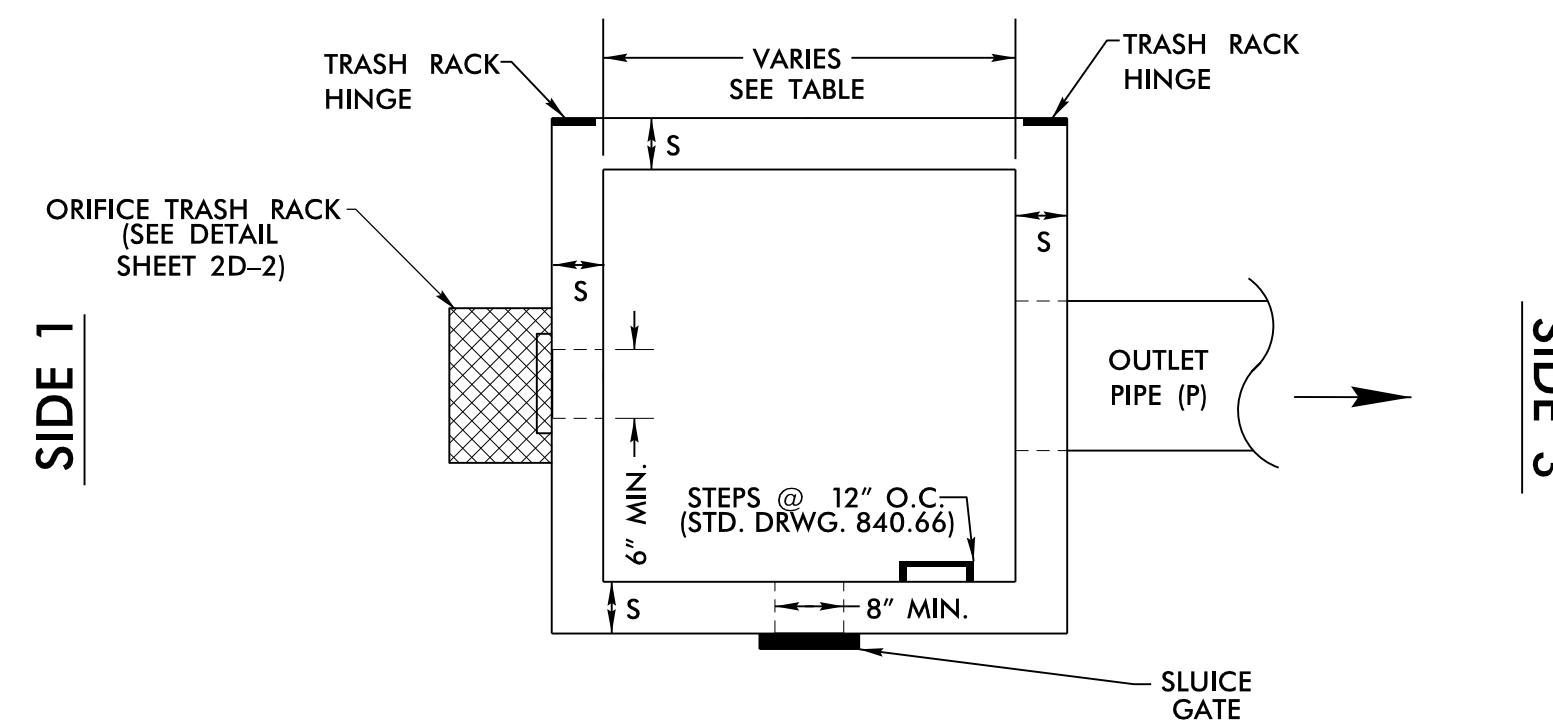
SIDE 2



SIDE 3



INSET "A"



SIDE 2

PLAN VIEW

TRASH RACK NOT SHOWN FOR CLARITY

NOTES:

1. TOP ELEVATION OF CONTROL STRUCTURE (WEIR ELEVATION) SHOULD BE SET AT THE W_{QV} ELEVATION.
2. 15" MINIMUM DIAMETER FOR OUTLET PIPE.
3. 2" MINIMUM DIAMETER ORIFICE. IF ORIFICE IS GREATER THAN 6", A STEEL PLATE IS NOT REQUIRED.
4. NO BEDDING MATERIAL TO BE USED. THEREFORE, DO NOT FOLLOW STANDARD DRAWINGS FOR METHOD OF PIPE INSTALLATION FOR OUTLET PIPE THROUGH EMBANKMENT.
5. SLUICE GATE IS FOR MAINTENANCE AND SHOULD REMAIN CLOSED DURING NORMAL OPERATION. A GATE VALVE MAY BE USED IN LIEU OF THE 8" SLUICE GATE.
6. SLUICE GATE SHALL PROVIDE WATERTIGHT SEAL. PROVIDE ADEQUATE CLEARANCE FOR GATE OPERATION AND FOR PROPER SEATING OF GATE OVER PIPE.
7. SELECT BOX STANDARD AS REQUIRED TO ACCOMMODATE SLUICE GATE AND ORIFICE TRASH RACK WIDTH.
8. ENSURE TRASH RACK OPENS FREELY AND WITHOUT INTERFERENCE WITH SLUICE GATE.
9. ADJUST FOOTER DIMENSIONS AS NEEDED FOR ANTI-FLOTATION.
10. TRASH RACK AND ORIFICE TRASH RACK ARE INCIDENTAL TO THE COST OF THE DRAINAGE STRUCTURE.

MINIMUM DIMENSIONS FOR DRY DETENTION BASIN DRAWDOWN STRUCTURE

STATION	STRUCTURE NUMBER	S (INCHES) 6" MIN.	B (INCHES) 6" MIN.	BASIN BOTTOM MINIMUM ELEV.	TOP ELEVATION CONTROL STRUCTURE	MAX. STORAGE DEPTH(D) FEET	INV. ELEV. CTL. STR.	CTL. STR. DIMENSIONS (W x L x H)	ORIFICE DIAMETER (O) INCHES	ORIFICE INV. ELEV.	OUTLET PIPE DIAMETER(P) INCHES	ADDT'L ORIFICE(S) DIAMETER(O) INCHES	ORIFICE INV. ELEV.
242+48 -L- RT	0933	6	6	84.9	86.8	1.9	84.9	2.3'x3.0'x1.9'	9.5"	84.9	15"	N/A	N/A
243+05 -L- RT	0937	6	6	83.6	88.9	5.3	83.6	4.0'x4.0'x5.3'	6.0"	83.6	15"	N/A	N/A