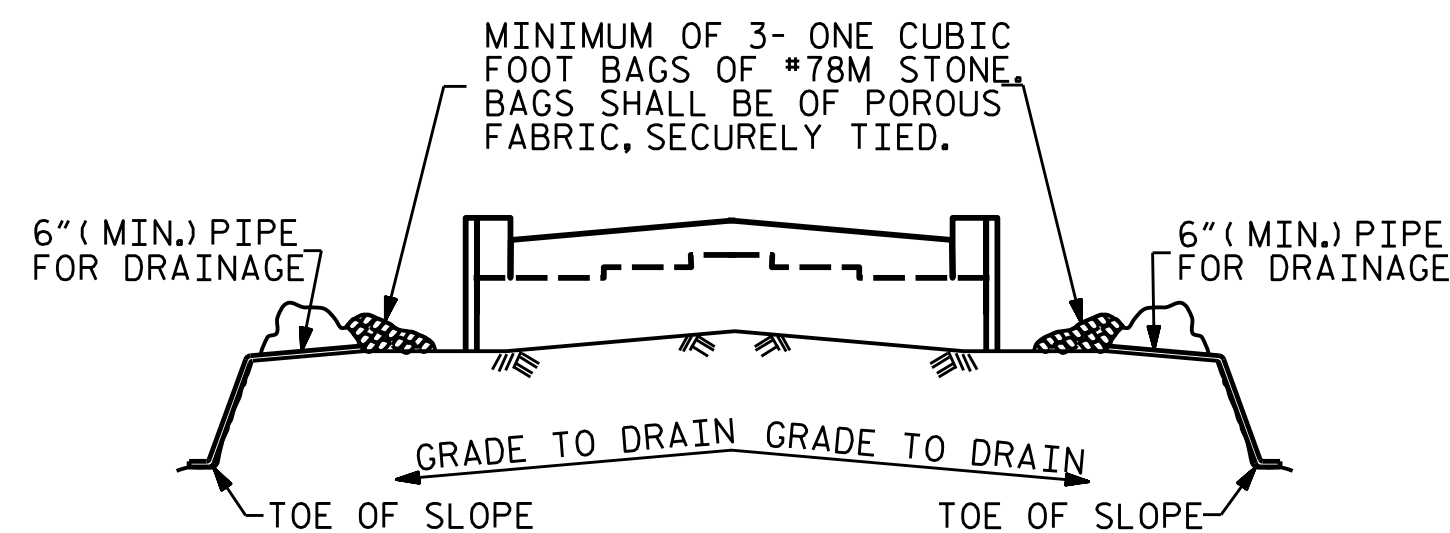


**BILL OF MATERIAL**

**END BENT 2**

BAR	NO.	SIZE	TYPE	LENGTH	WEIGHT
B1	5	9	1	45'-8"	776
B2	4	10	1	46'-0"	792
B3	28	4	STR.	22'-10"	427
B4	11	4	STR.	2'-11"	21
B5	5	4	STR.	11'-8"	39
D1	64	4	STR.	5'-10"	249
H1	19	6	6	15'-2"	433
H2	19	6	6	15'-3"	435
H3	19	6	7	15'-1"	430
H4	19	6	7	15'-0"	428
K1	24	4	STR.	2'-8"	43
S1	20	4	2	6'-6"	87
S2	36	5	3	3'-10"	144
S3	36	5	4	11'-1"	416
U1	9	4	5	5'-11"	36
V1	72	4	STR.	9'-6"	457
REINFORCING STEEL, LBS.					5213
CLASS A CONCRETE, CY POUR 1					26.5
POUR 2					7.4
TOTAL					33.9
HP 12X53 STEEL PILES					NO. 5
L.F.					350
PILE DRIVING EQUIPMENT SETUP FOR HP 12X53 STEEL PILES, EA.					5
PILE REDRIVES, EA.					2



BAGGED STONE AND PIPE SHALL BE PLACED IMMEDIATELY AFTER COMPLETION OF END BENT EXCAVATION. PIPE MAY BE EITHER CONCRETE, CORRUGATED STEEL, CORRUGATED ALUMINUM ALLOY, OR CORRUGATED PLASTIC. PERFORATED PIPE WILL NOT BE ALLOWED.

BAGGED STONE SHALL REMAIN IN PLACE UNTIL THE ENGINEER DIRECTS THAT IT BE REMOVED. THE CONTRACTOR SHALL REMOVE AND DISPOSE OF SILT ACCUMULATIONS AT BAGGED STONE WHEN SO DIRECTED BY THE ENGINEER. BAGS SHALL BE REMOVED AND REPLACED WHENEVER THE ENGINEER DETERMINES THAT THEY HAVE DETERIORATED AND LOST THEIR EFFECTIVENESS.

NO SEPARATE PAYMENT WILL BE MADE FOR THIS WORK AND THE ENTIRE COST OF THIS WORK SHALL BE INCLUDED IN THE UNIT CONTRACT PRICE BID FOR THE SEVERAL PAY ITEMS.

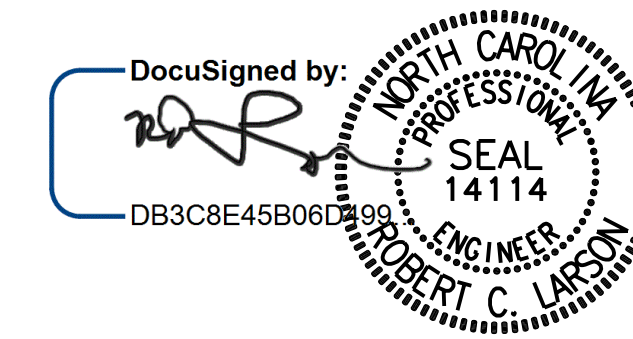
**TEMPORARY DRAINAGE AT END BENT**

PROJECT NO. B-5666  
WILSON COUNTY  
 STATION: 17+37.36 -L-

SHEET 3 OF 3

STATE OF NORTH CAROLINA  
 DEPARTMENT OF TRANSPORTATION  
 RALEIGH

**SUBSTRUCTURE  
 END BENT 2**



2/16/2021

DESIGN ENGINEER OF RECORD	DATE :	2/16/2021
DRAWN BY : R. C. LARSON	DATE :	02/13/20
CHECKED BY : A. K. ALLANKI	DATE :	02/13/20

**DOCUMENT NOT CONSIDERED FINAL  
 UNLESS ALL SIGNATURES COMPLETED**



REVISIONS						SHEET NO.
NO.	BY:	DATE:	NO.	BY:	DATE:	S-25
1			3			TOTAL SHEETS 30
2			4			

KCI JOB NO.: 251801945.22