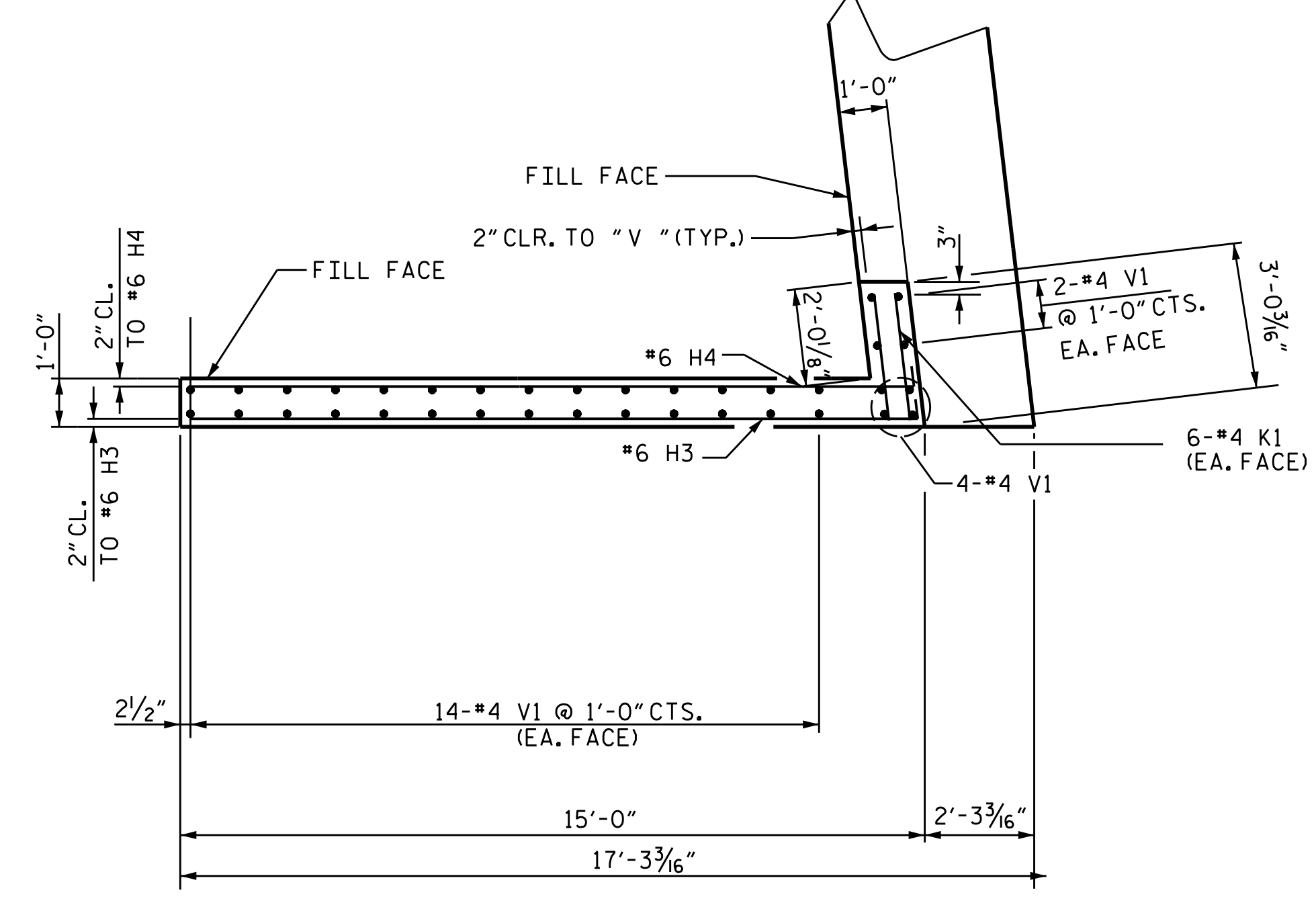
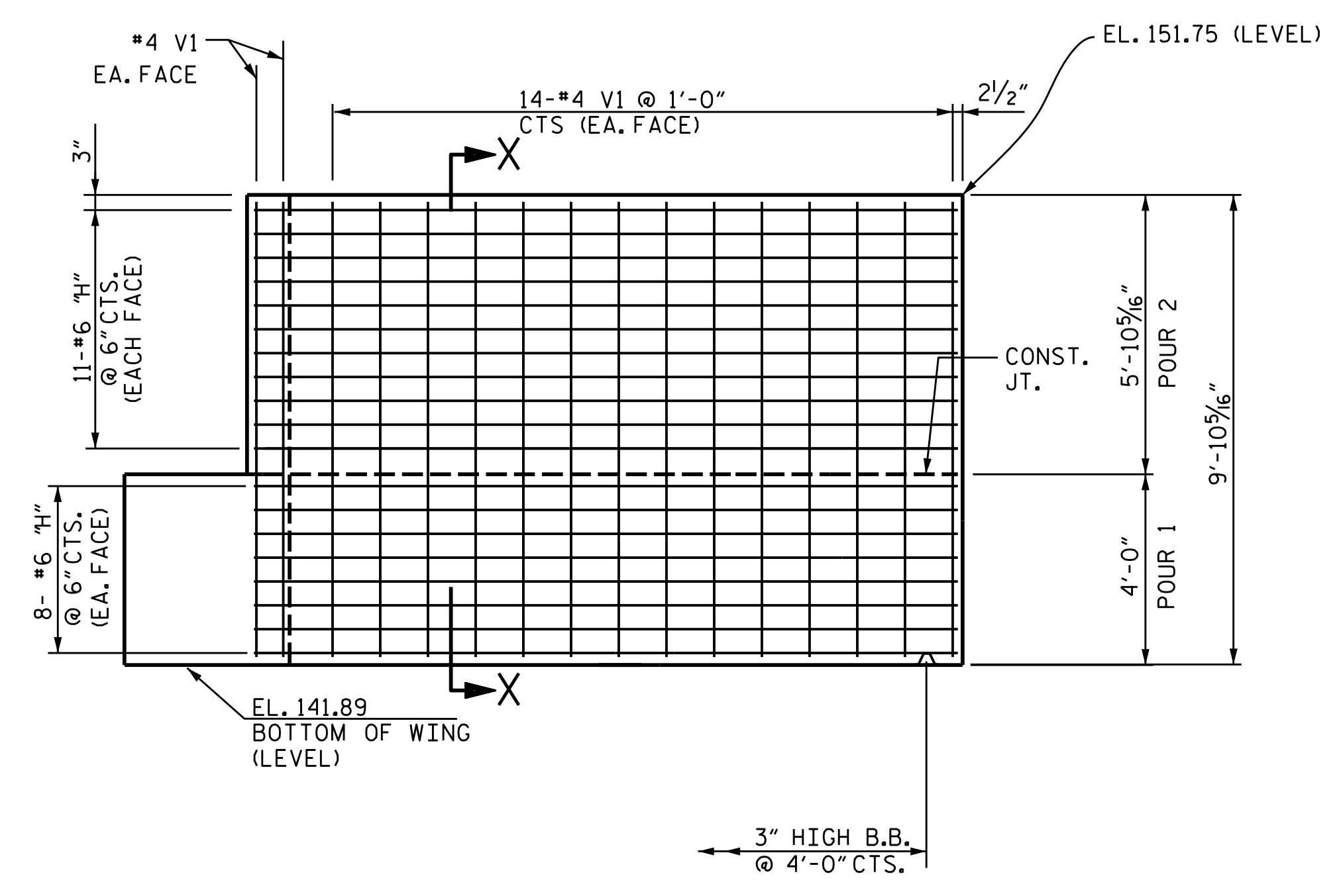


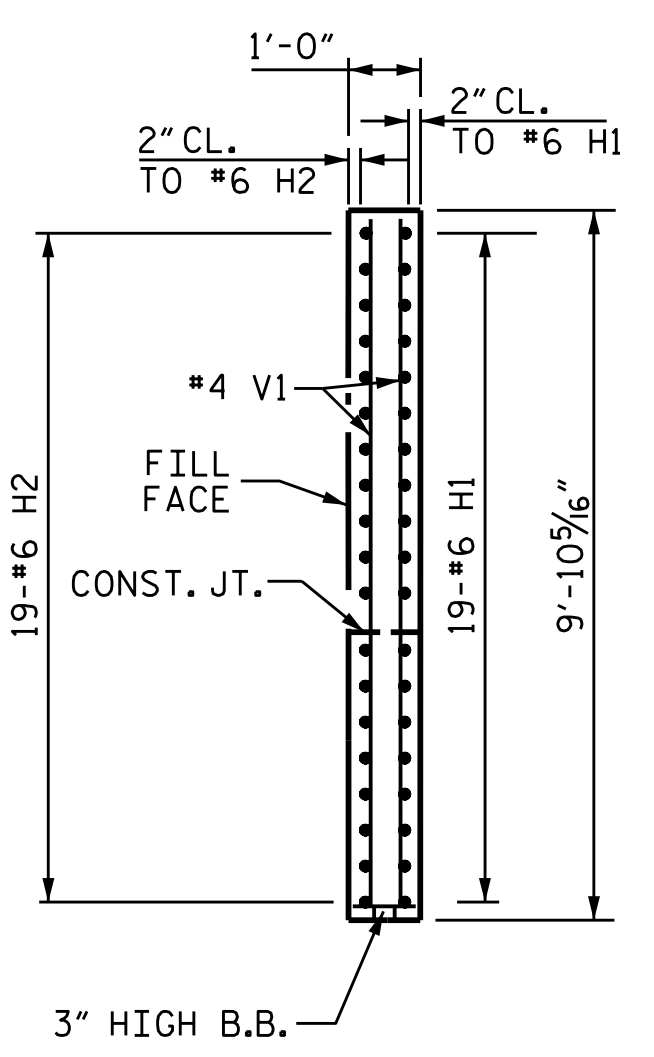
PLAN W1



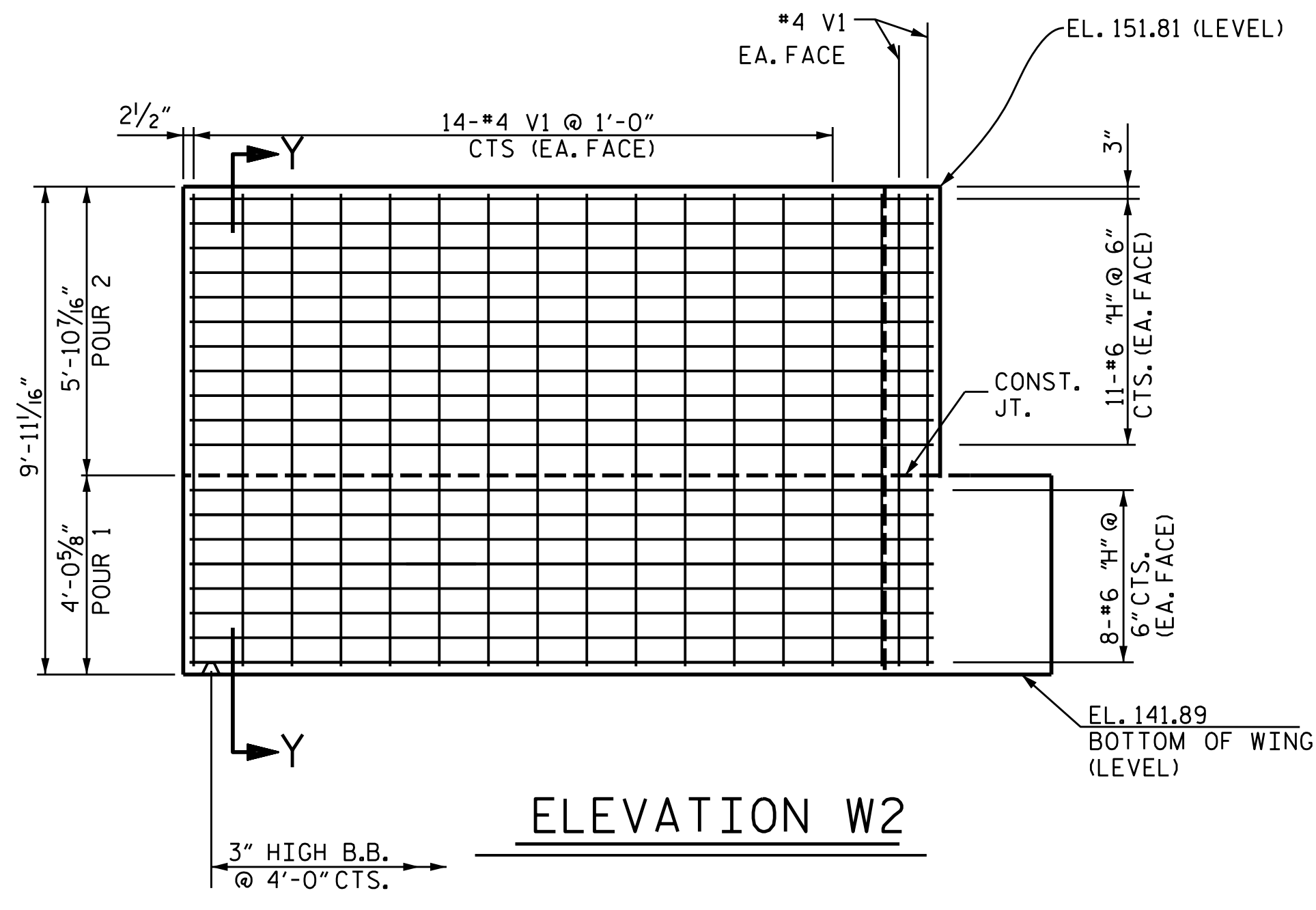
PLAN W2



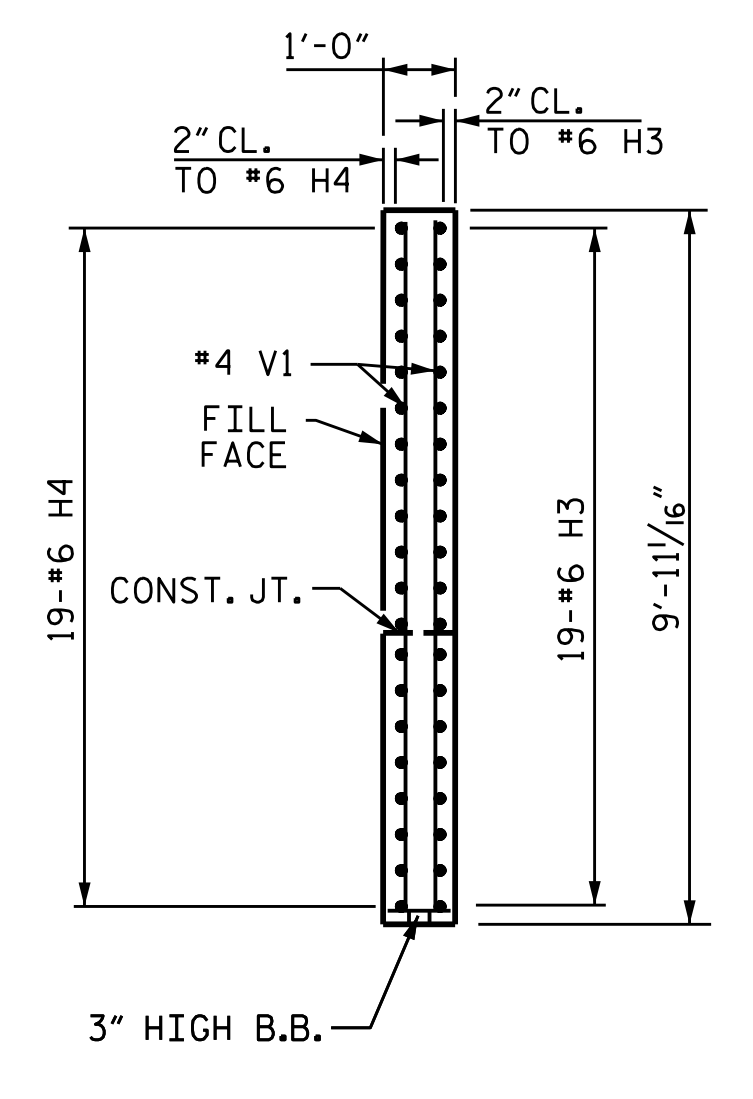
ELEVATION W1



SECTION X-X



ELEVATION W2



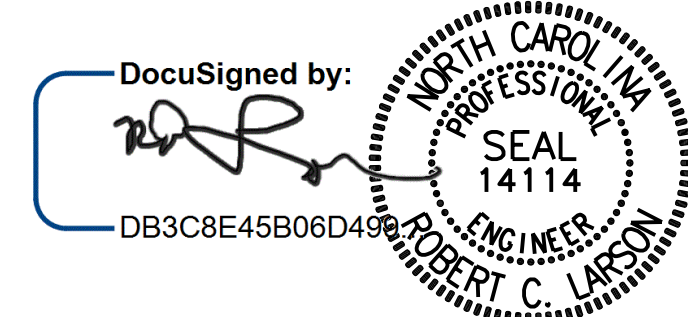
SECTION Y-Y

PROJECT NO. B-5666  
WILSON COUNTY  
 STATION: 17+37.36 -L-

SHEET 2 OF 3

STATE OF NORTH CAROLINA  
 DEPARTMENT OF TRANSPORTATION  
 RALEIGH

**SUBSTRUCTURE  
 END BENT 1**



DESIGN ENGINEER OF RECORD: [Signature] DATE: 2/16/2021  
 DRAWN BY: A. K. ALLANKI DATE: 02/10/20  
 CHECKED BY: R. C. LARSON DATE: 02/11/20

REVISIONS				SHEET NO.
NO.	BY:	DATE:	NO.	DATE:
1			3	
2			4	

DOCUMENT NOT CONSIDERED FINAL  
 UNLESS ALL SIGNATURES COMPLETED

**KCI Associates**  
 of North Carolina, P.A.  
4505 Falls of House Road, Suite 400 Raleigh, NC 27609-6370 Phone (919) 785-9241

SHEET NO. S-19  
 TOTAL SHEETS 30

KCI JOB NO: 251801945.22