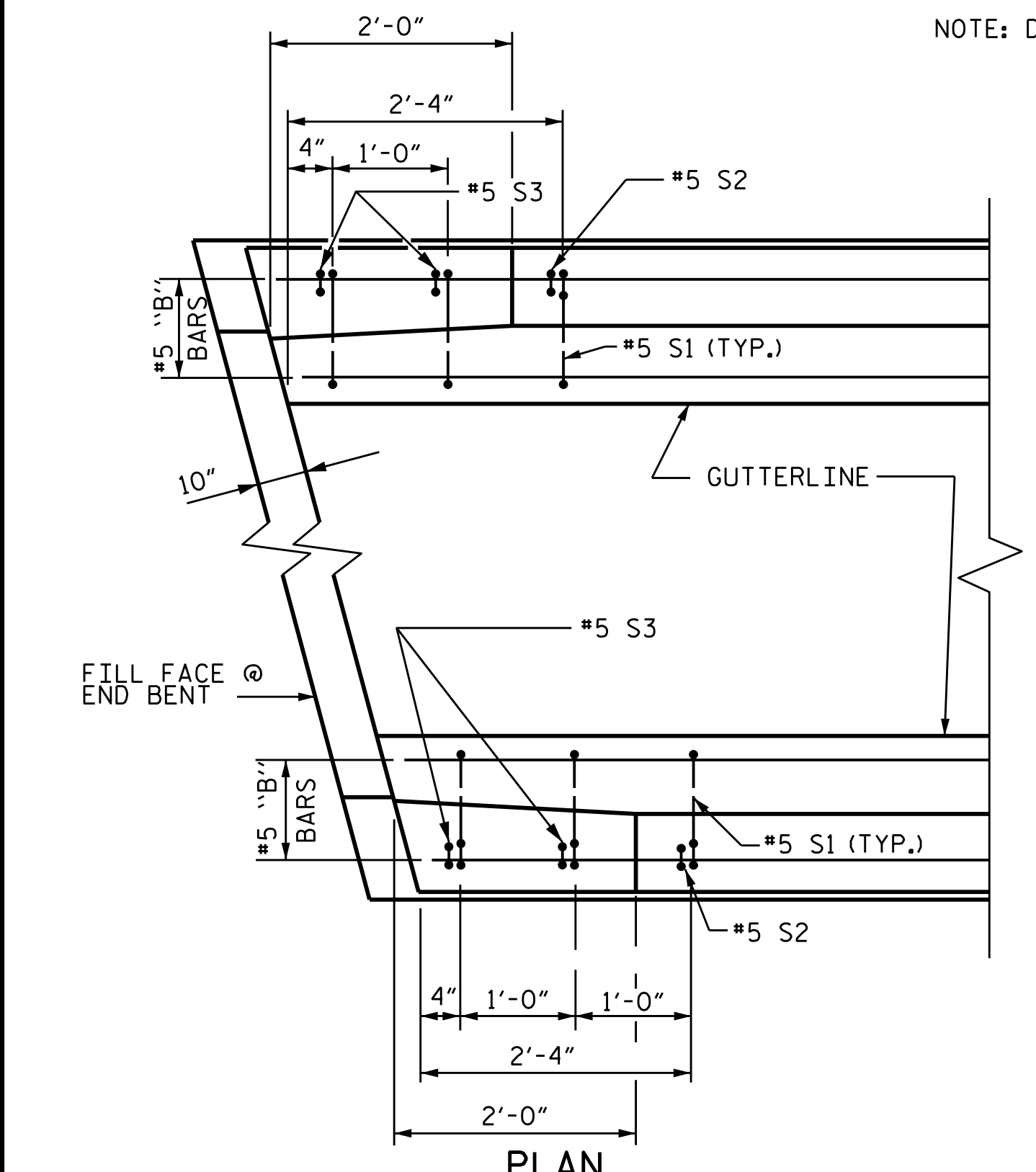
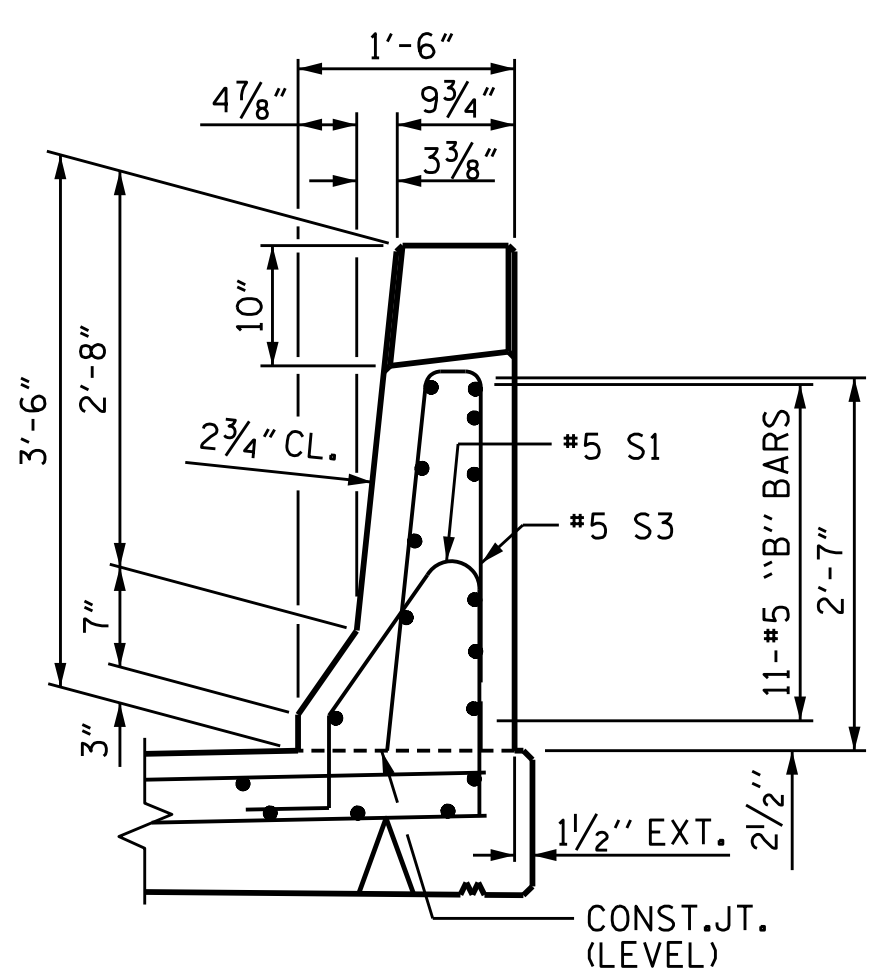


**PLAN**

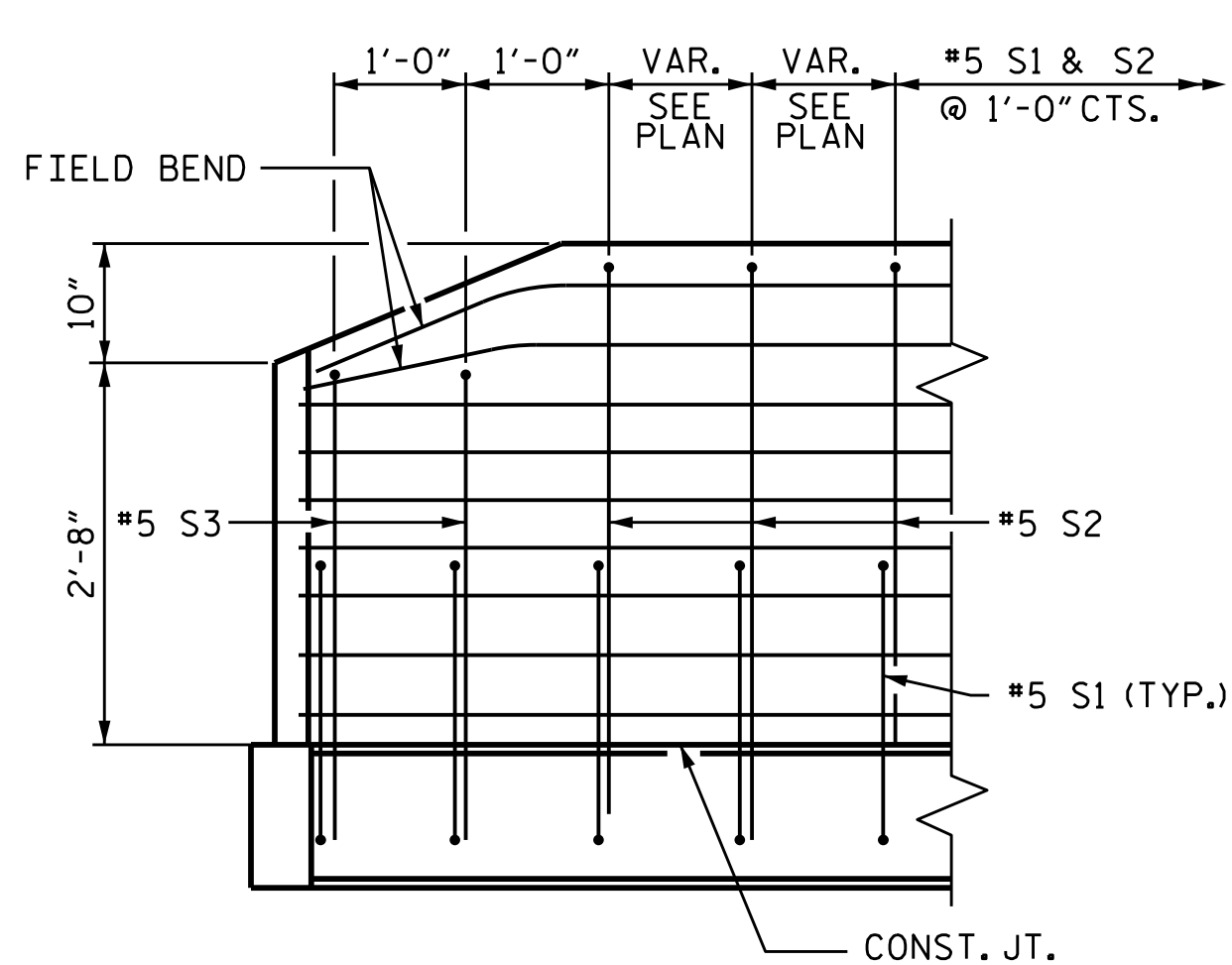
NOTE: DIMENSIONS SHOWN ARE ALONG OUTSIDE OF RAIL



**PLAN**



**END VIEW**



**SIDE VIEW**

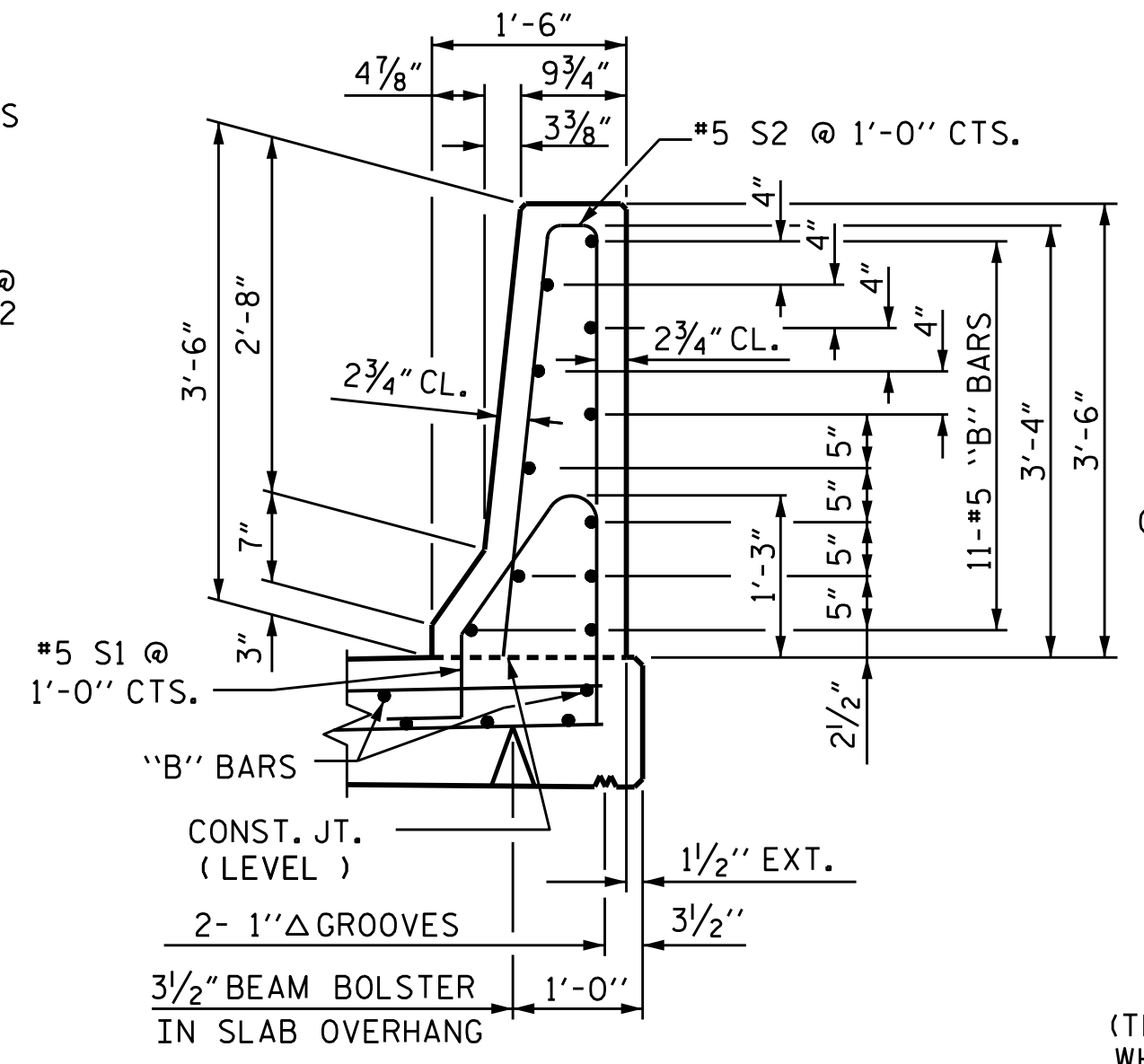
**END OF RAIL DETAILS**

**NOTES**

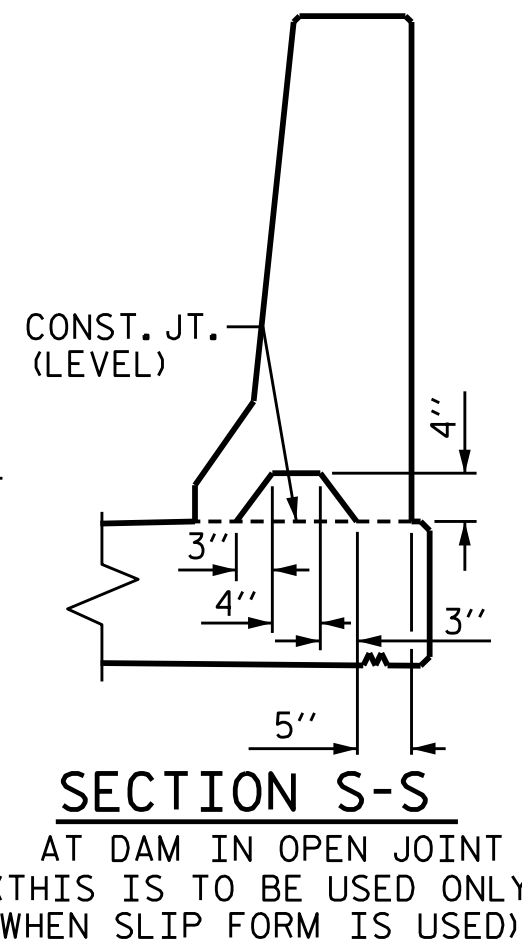
THE BARRIER RAIL IN EACH SPAN SHALL NOT BE CAST UNTIL ALL SLAB CONCRETE IN THAT SPAN HAS BEEN CAST AND HAS REACHED A MINIMUM COMPRESSIVE STRENGTH OF 3,000 PSI.

ALL REINFORCING STEEL IN BARRIER RAILS SHALL BE EPOXY COATED.

GROOVED CONTRACTION JOINTS, 1/2" IN DEPTH, SHALL BE TOOLED IN ALL EXPOSED FACES OF THE BARRIER RAIL AND IN ACCORDANCE WITH ARTICLE 825-10(B) OF THE STANDARD SPECIFICATIONS. THE CONTRACTION JOINT SHALL BE LOCATED AT EACH THIRD POINT BETWEEN BARRIER RAIL EXPANSION JOINTS. ONLY ONE CONTRACTION JOINT IS REQUIRED AT MIDPOINT OF BARRIER RAIL SEGMENTS LESS THAN 20 FEET IN LENGTH AND NO CONTRACTION JOINTS ARE REQUIRED FOR THOSE SEGMENTS LESS THAN 10 FEET IN LENGTH.

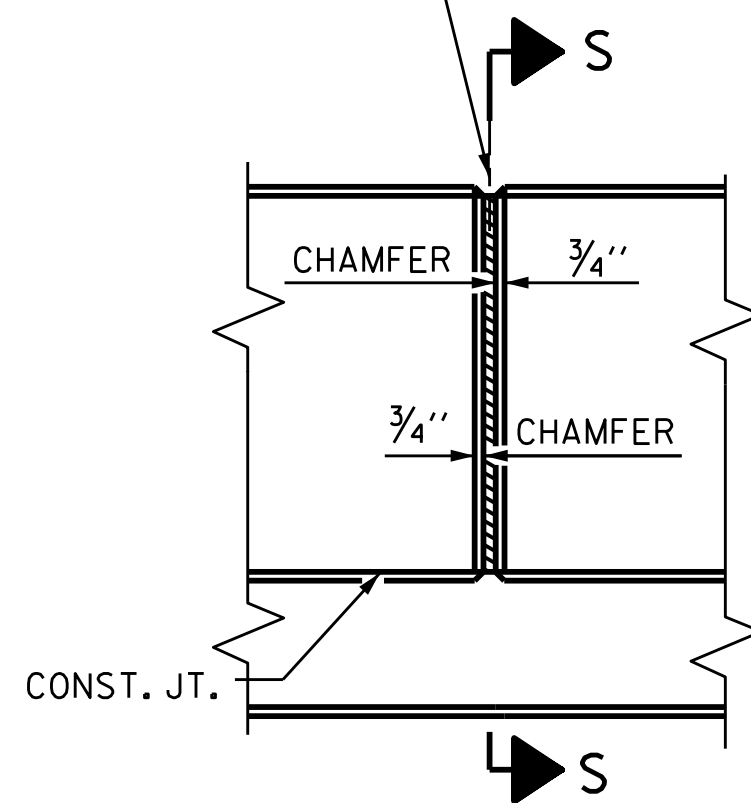


**SECTION THRU RAIL**



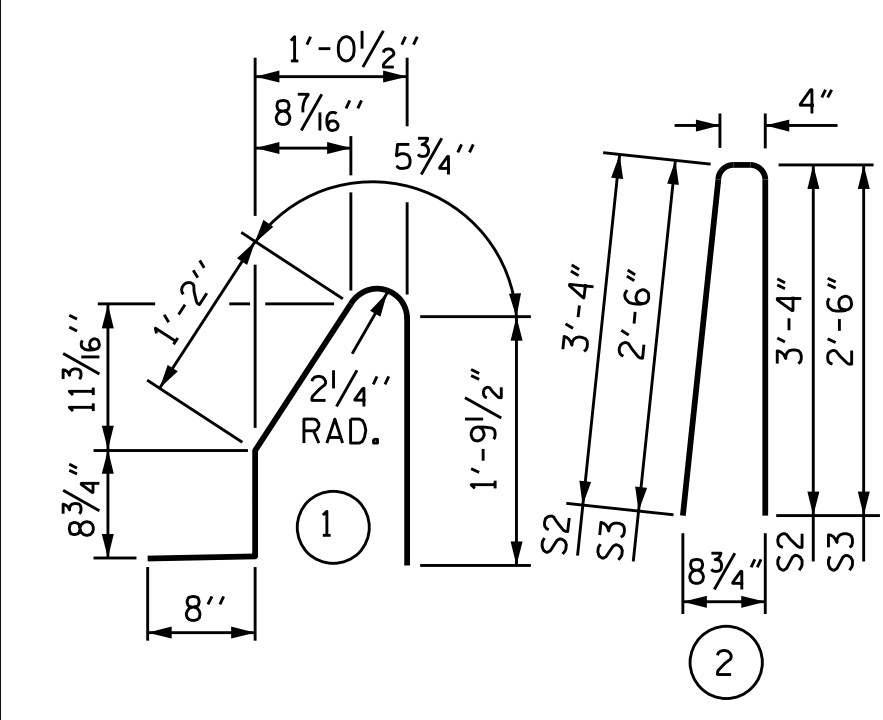
**SECTION S-S**  
AT DAM IN OPEN JOINT  
(THIS IS TO BE USED ONLY WHEN SLIP FORM IS USED)

1/2" EXP. JT. MAT'L HELD IN PLACE WITH GALVANIZED NAILS.  
( NOTE: OMIT EXP. JT. MAT'L. WHEN SLIP FORM IS USED.)



**ELEVATION AT EXPANSION JOINTS**  
**BARRIER RAIL DETAILS**

**BAR TYPES**



ALL BAR DIMENSIONS ARE OUT TO OUT

**BILL OF MATERIAL**

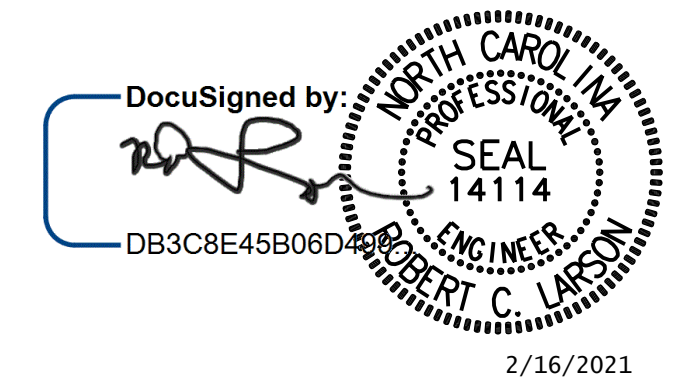
FOR CONCRETE BARRIER RAIL ONLY

BAR	NO.	SIZE	TYPE	LENGTH	WEIGHT
* S1	379	#5	1	4'-10"	1911
* S2	371	#5	2	7'-0"	2709
* S3	8	#5	2	5'-4"	45
* B1	88	#5	STR	27'-2"	2493
* B2	11	#5	STR	17'-8 1/2"	203
* B3	11	#5	STR	18'-10"	216
* B4	44	#5	STR	20'-5"	937
* B5	11	#5	STR	18'-0"	207
* B6	11	#5	STR	18'-6"	212

EPOXY COATED REINFORCING STEEL	8933 LBS.
CLASS AA CONCRETE	51.4 CU. YDS.
CONCRETE BARRIER RAIL	377.64 LIN. FT.

PROJECT NO. B-5666  
WILSON COUNTY  
 STATION: 17+37.36 -L-

STATE OF NORTH CAROLINA  
 DEPARTMENT OF TRANSPORTATION  
 RALEIGH  
 STANDARD  
 CONCRETE  
 BARRIER RAIL



REVISIONS						SHEET NO.
NO.	BY:	DATE:	NO.	BY:	DATE:	S-14
1			3			TOTAL SHEETS
2			4			30

**DOCUMENT NOT CONSIDERED FINAL**  
**UNLESS ALL SIGNATURES COMPLETED**

ENGINEERS & PLANNERS & SCIENTISTS & CONSTRUCTION MANAGERS LICENSE NUMBER: C-0784  
**KCI Associates**  
 of North Carolina, P.A.  
 4505 Falls of Neuse Road, Suite 400, Raleigh, NC 27609-5270 Phone 919-783-9241

KCI JOB NO: 251801945.22

DESIGN ENGINEER OF RECORD: DATE: 2/16/2021  
 ASSEMBLED BY: R. C. LARSON DATE: 01/04/20  
 CHECKED BY: K. SU DATE: 02/14/20  
 DRAWN BY: ARB 5/87 REV. 7/12 MAA/GM  
 CHECKED BY: SJD 9/87 REV. 6/13 MAA/GM  
 REV. 12/17 MAA/THC