

- ▲ BOND SHALL BE BROKEN ON THESE STRANDS FOR A DISTANCE OF 4'-0" FROM END OF GIRDER. SEE STANDARD SPECIFICATIONS, ARTICLE 1078-7.
- ▣ BOND SHALL BE BROKEN ON THESE STRANDS FOR A DISTANCE OF 6'-0" FROM END OF GIRDER. SEE STANDARD SPECIFICATIONS, ARTICLE 1078-7.
- ◎ BOND SHALL BE BROKEN ON THESE STRANDS FOR A DISTANCE OF 10'-0" FROM END OF GIRDER. SEE STANDARD SPECIFICATIONS, ARTICLE 1078-7.
- ◆ BOND SHALL BE BROKEN ON THESE STRANDS FOR A DISTANCE OF 20'-0" FROM END OF GIRDER. SEE STANDARD SPECIFICATIONS, ARTICLE 1078-7.

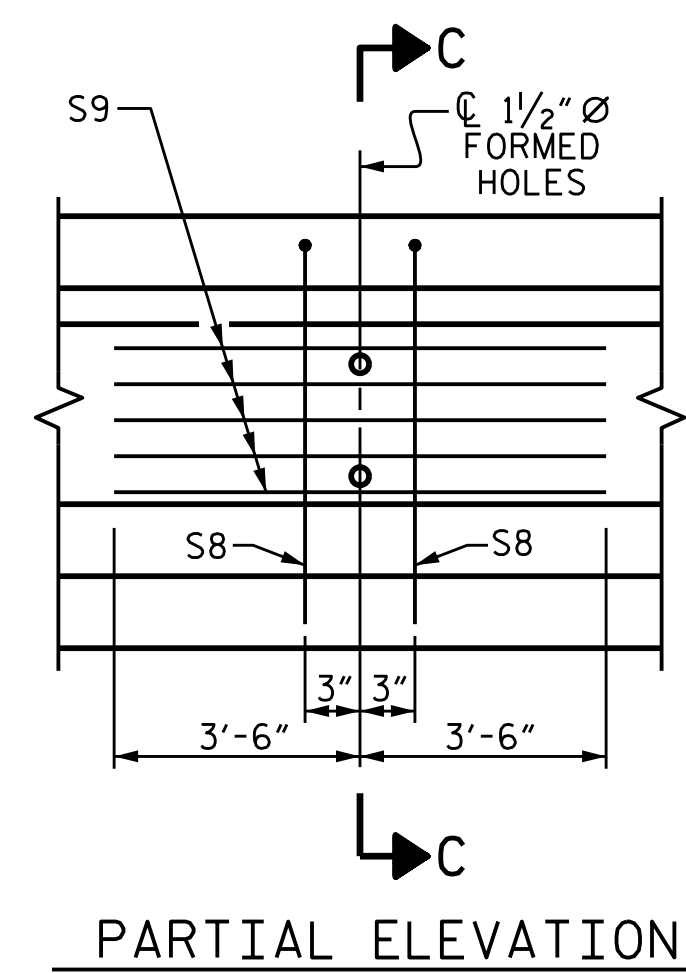
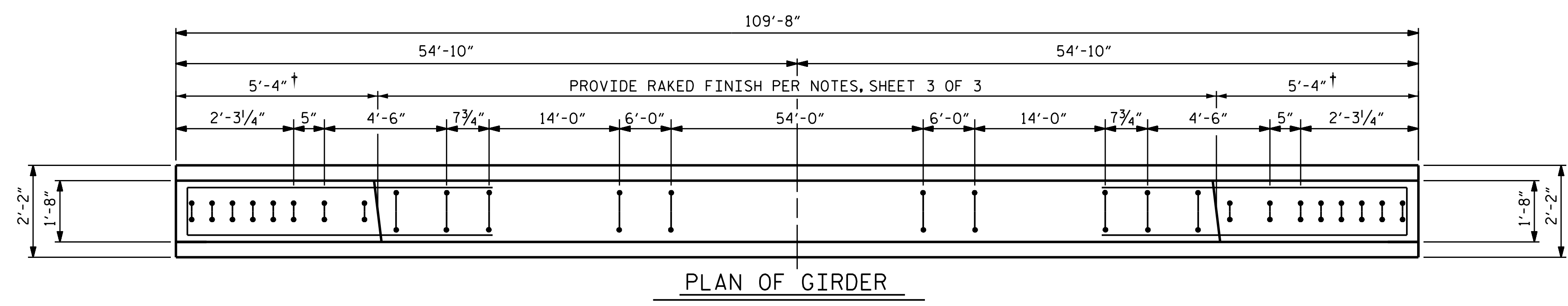
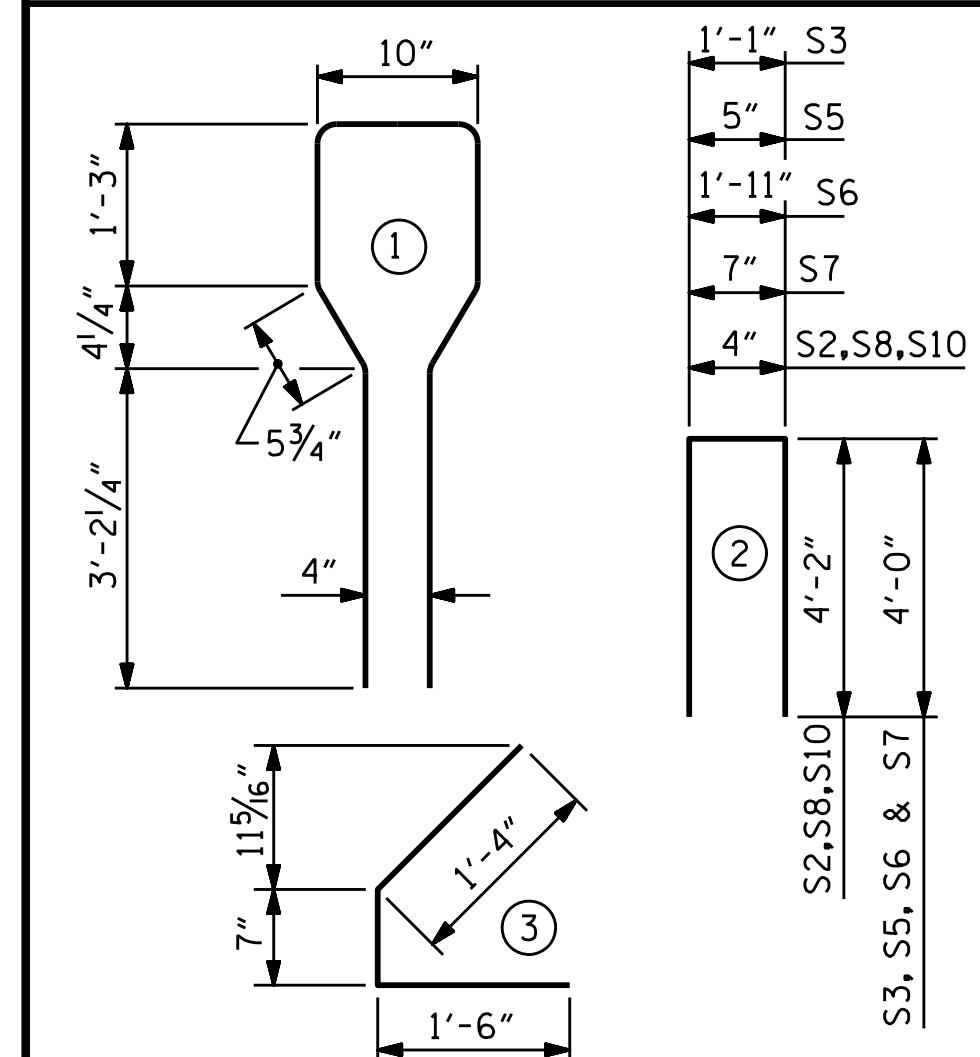
**DEBONDING LEGEND**

0.6" Ø L. R. GRADE 270 STRANDS		
AREA (SQ. INCHES)	ULTIMATE STRENGTH (LBS. PER STRAND)	APPLIED STRESS (LBS. PER STRAND)
0.217	58,600	43,950

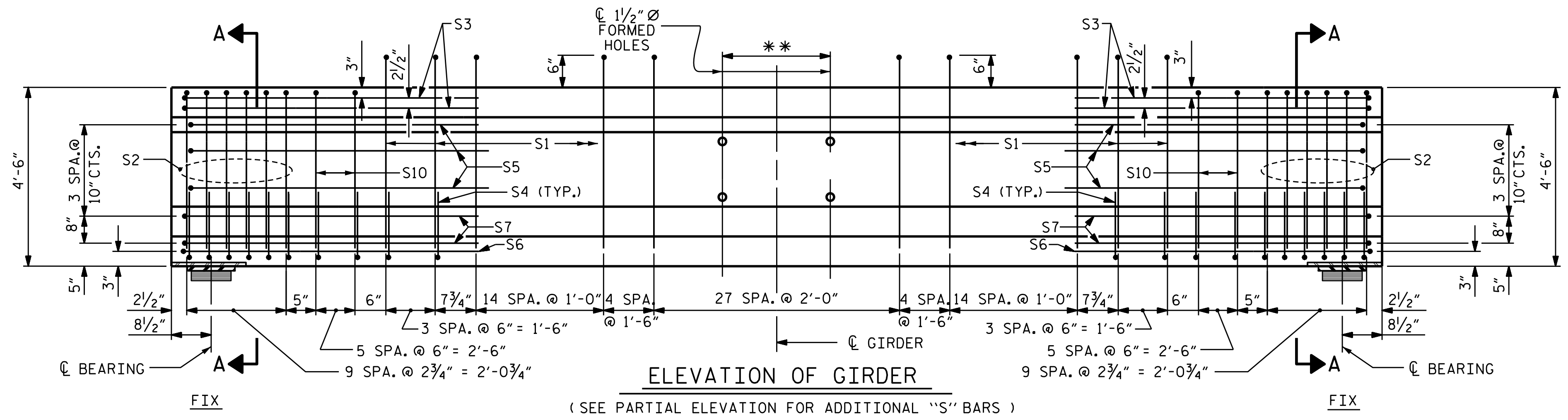
REINFORCING STEEL FOR ONE GIRDER					
BAR	NUMBER	SIZE	TYPE	LENGTH	WEIGHT
S1	72	#4	1	10'-8"	513
S2	20	#6	2	8'-8"	260
S3	4	#4	2	9'-1"	24
S4	80	#4	3	3'-5"	183
S5	6	#4	2	8'-5"	34
S6	2	#4	2	9'-11"	13
S7	4	#4	2	8'-7"	23
S8	4	#5	2	8'-8"	36
S9	10	#4	STR	7'-0"	47
S10	12	#4	2	8'-8"	69

**BAR TYPES**

ALL BAR DIMENSIONS ARE OUT-TO-OUT



SHOWING INTERMEDIATE DIAPHRAGM REINFORCING STEEL FOR ALL GIRDERS



† PROVIDE A SMOOTH TROWEL FINISH TO TOP OF GIRDER IN THESE AREAS TO PREVENT BOND WITH DECK SLAB

\*\* 1/2" Ø FORMED HOLES SEE "GIRDER LAYOUT" SHEET FOR LOCATION & NO. OF HOLES.



QUANTITIES FOR ONE GIRDER			
REINFORCING STEEL (LB.)	8500 PSI CONCRETE (C.Y.)	0.6" Ø L. R. STRANDS (No.)	
1202	22.3	50	

GIRDERS REQUIRED		
NUMBER	LENGTH	TOTAL LENGTH
4	109'-8"	438'-8"

PROJECT NO. B-5666  
WILSON COUNTY  
 STATION: 17+37.36 -L-

SHEET 2 OF 3

STATE OF NORTH CAROLINA  
 DEPARTMENT OF TRANSPORTATION  
 RALEIGH

STANDARD  
 AASHTO TYPE IV  
 PRESTRESSED CONCRETE GIRDER  
 SPAN B

REVISIONS						SHEET NO. S-10
NO.	BY:	DATE:	NO.	BY:	DATE:	
1			3			TOTAL SHEETS 30
2			4			

KCI JOB NO: 251801945.22

ASSEMBLED BY : A. K. ALLANKI DATE : 12/19/19  
 CHECKED BY : R. C. LARSON DATE : 12/23/19

DESIGN ENGINEER OF RECORD: DATE : 2/16/2021

REV. 10/1/11 MAA/GM  
 REV. 1/15 MAA/TMG  
 REV. 12/17 MAA/THC

**DOCUMENT NOT CONSIDERED FINAL  
 UNLESS ALL SIGNATURES COMPLETED**

ENGINEERS & ARCHITECTS • SCIENTISTS • CONSTRUCTION MANAGERS LICENSE NUMBER: C-024  
**KCI Associates**  
 of North Carolina, P.A.  
 4505 Falls of Neuse Road, Suite 400, Raleigh, NC 27609-5270 Phone 919-783-8241

STD. NO. PCG3