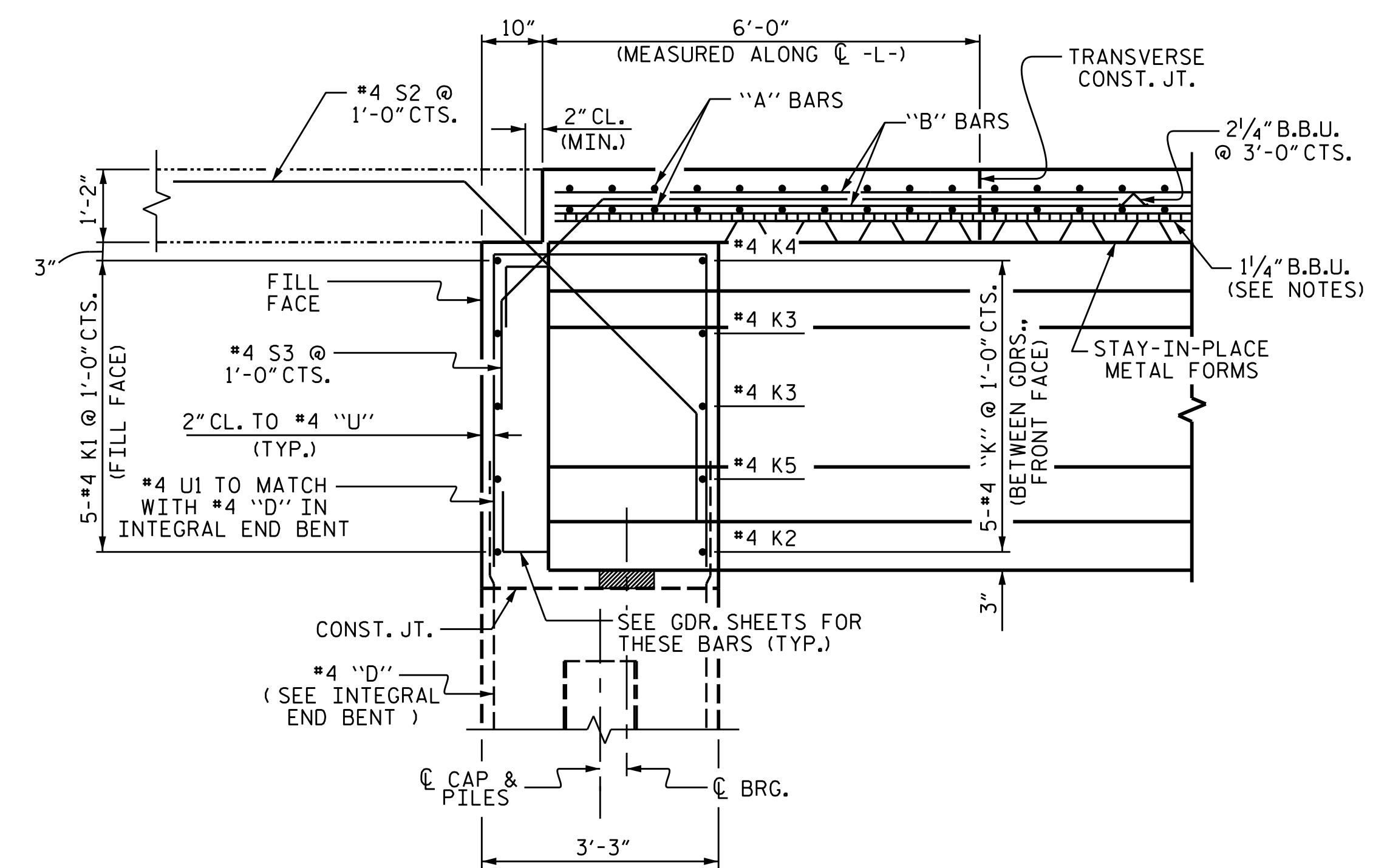


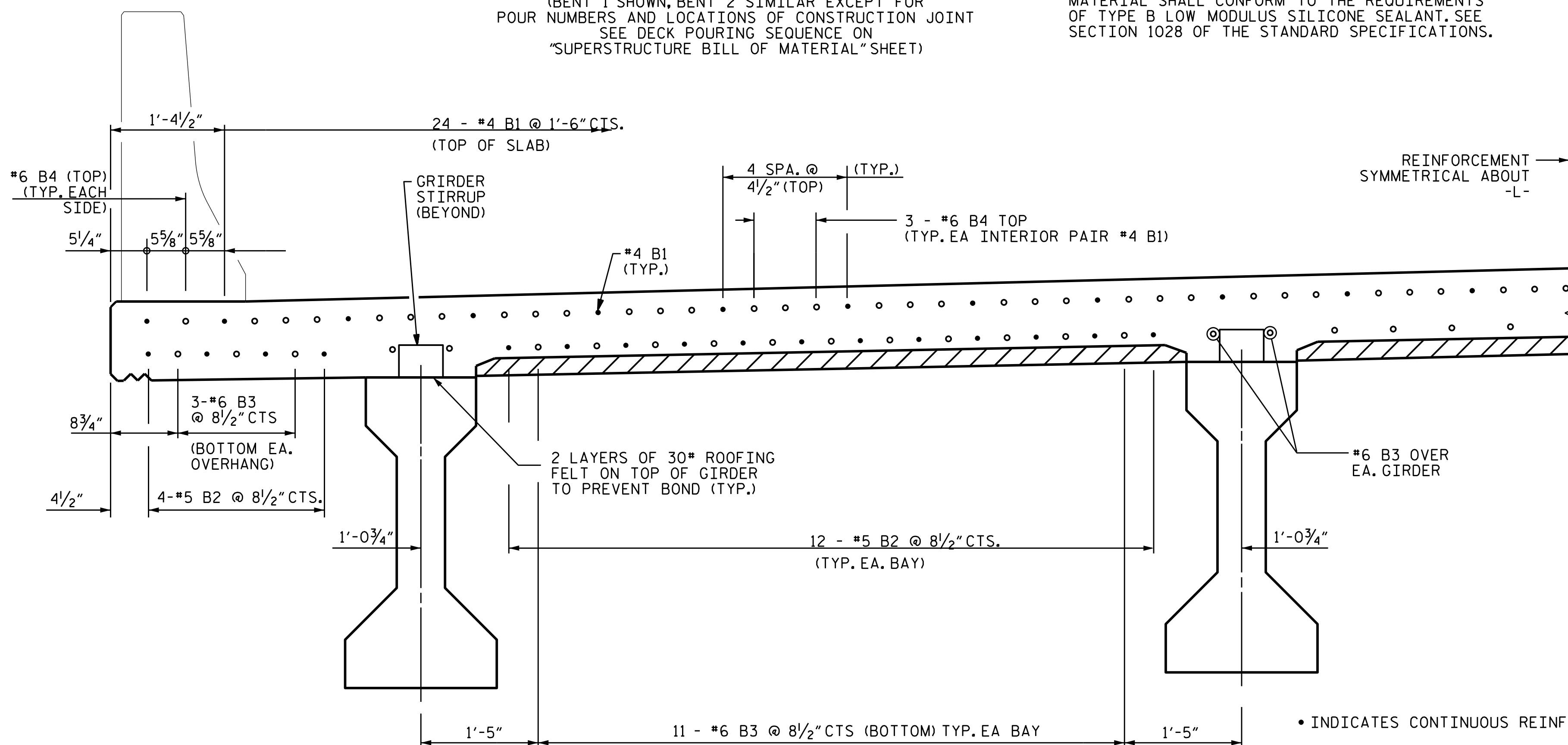
LONGITUDINAL SECTION AT LINK SLAB

(BENT 1 SHOWN, BENT 2 SIMILAR EXCEPT FOR POUR NUMBERS AND LOCATIONS OF CONSTRUCTION JOINT. SEE DECK POURING SEQUENCE ON "SUPERSTRUCTURE BILL OF MATERIAL" SHEET)

NOTES:
A 1/2" DEEP CONTRACTION JOINT AT @ BENT AND END OF LINK SLAB SHALL BE SAWN WITHIN 24 HOURS OF POURING THE DECK. THE JOINT SHALL BE FILLED WITH JOINT SEALER MATERIAL. THE JOINT SEALER MATERIAL SHALL CONFORM TO THE REQUIREMENTS OF TYPE B LOW MODULUS SILICONE SEALANT. SEE SECTION 1028 OF THE STANDARD SPECIFICATIONS.



SECTION THRU INTEGRAL END BENT

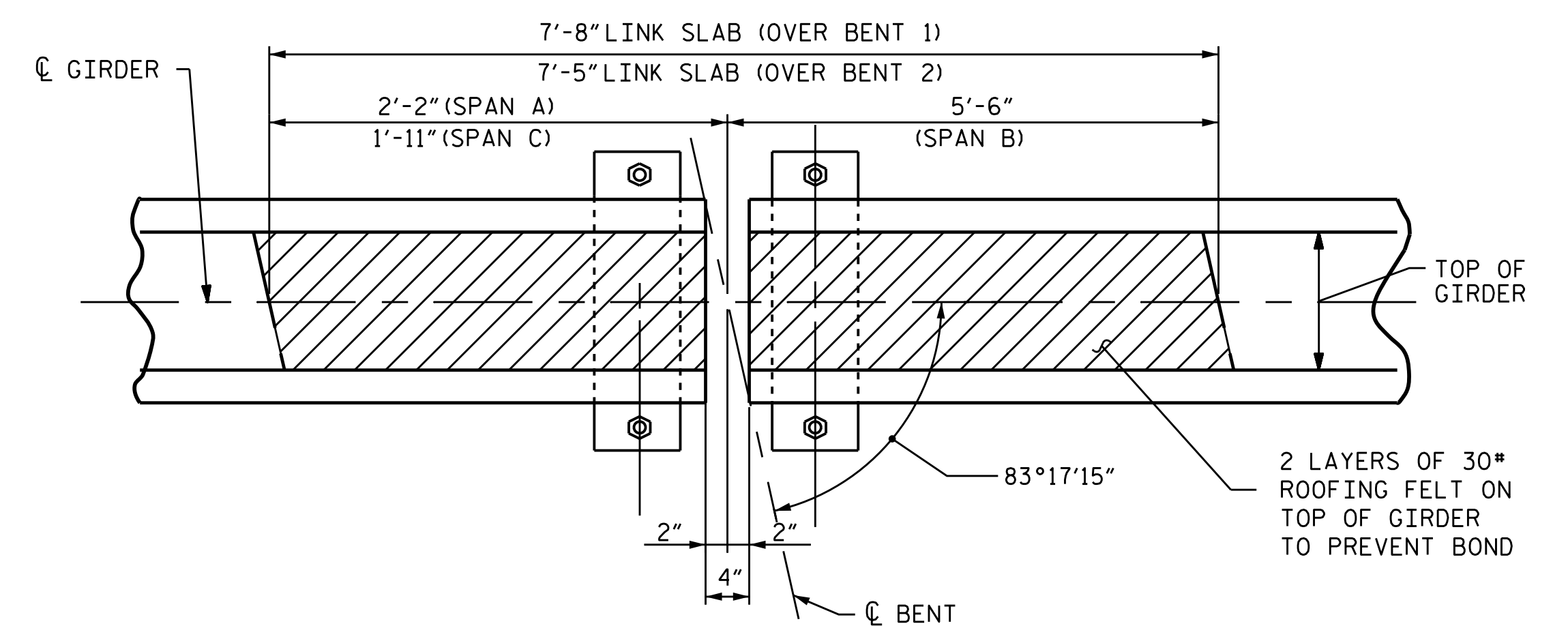


TRANSVERSE SECTION "A-A" AT LINK SLAB

LINK SLAB DETAILS

("A" BARS IN SLAB NOT SHOWN FOR CLARITY)

- INDICATES CONTINUOUS REINFORCING
- INDICATES ADDITIONAL REINFORCING IN LINK SLAB



PLAN OF GIRDER ENDS AT BENT

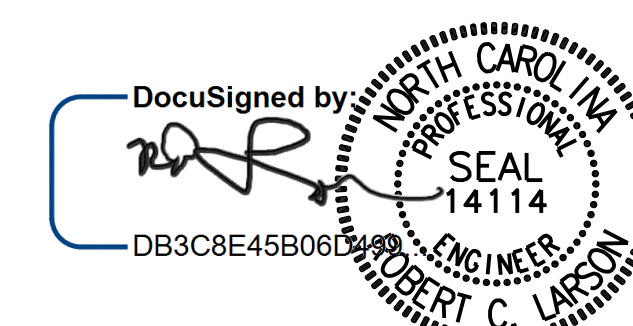
** THE TOP OF THE GIRDER IN THE REGION OF THE LINK SLAB SHALL BE SMOOTH AND FREE OF STIRRUPS OR ANCHOR STUDS.

PROJECT NO. B-5666
WILSON COUNTY
 STATION: 17+37.36 -L-

SHEET 2 OF 2

STATE OF NORTH CAROLINA
 DEPARTMENT OF TRANSPORTATION
 RALEIGH

**SUPERSTRUCTURE
 TYPICAL SECTION**



2/16/2021

DESIGN ENGINEER OF RECORD: R.C. LARSON DATE: 2/16/2021
 DRAWN BY: A. K. ALLANKI DATE: 10/23/19
 CHECKED BY: R.C. LARSON DATE: 12/16/19

**DOCUMENT NOT CONSIDERED FINAL
 UNLESS ALL SIGNATURES COMPLETED**

ENGINEERS & PLANNERS & SCIENTISTS & CONSTRUCTION MANAGERS LICENSE NUMBER: C-0764
KCI Associates
 of North Carolina, P.A.
 4505 Falls of House Road, Suite 400 Raleigh, NC 27609-6270 Phone: 919-785-5244

REVISIONS		SHEET NO.				
NO.	BY:	DATE:	NO.	BY:	DATE:	SHEET NO.
1			3			5-6
2			4			TOTAL SHEETS 30

KCI JOB NO: 251801945.22