

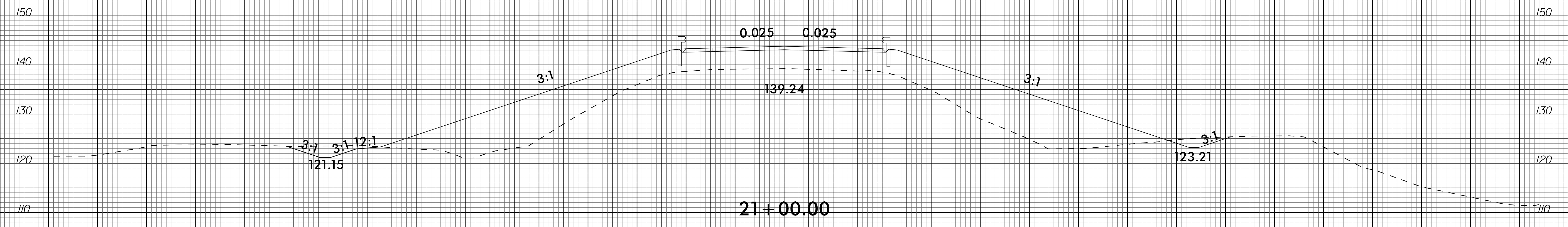
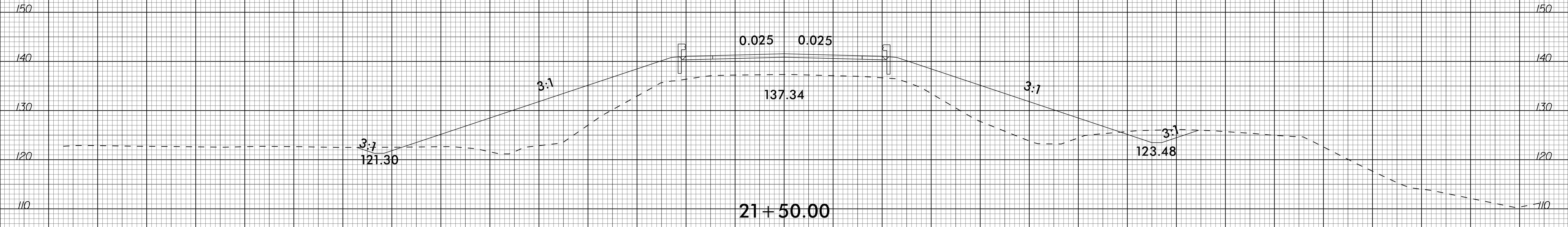
6/23/16



PROJ. REFERENCE NO.
B-5666

SHEET NO.
X-12

150 140 130 120 110 100 90 80 70 60 50 40 30 20 10 0 10 20 30 40 50 60 70 80 90 100 110 120 130 140 150



150 140 130 120 110 100 90 80 70 60 50 40 30 20 10 0 10 20 30 40 50 60 70 80 90 100 110 120 130 140 150

07-APR-2020 13:28  
 \\s0181\proj\B-5666\Roadway\Corridor\Modelling\B-5666\_Rdy\_xpl.dgn  
 3:30:14.938