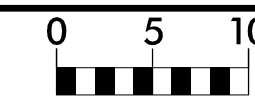


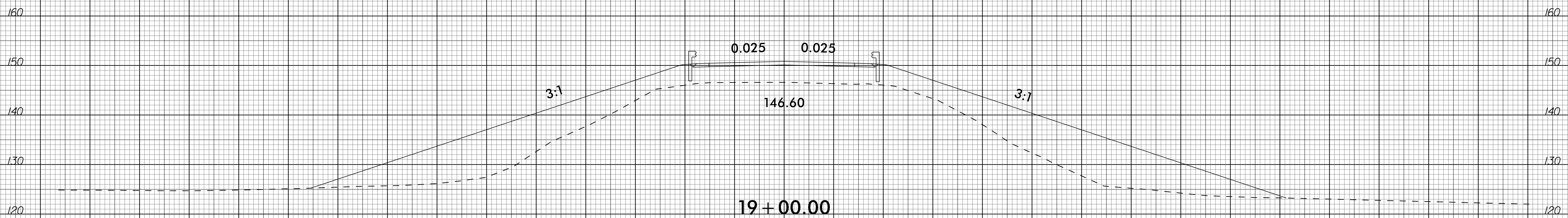
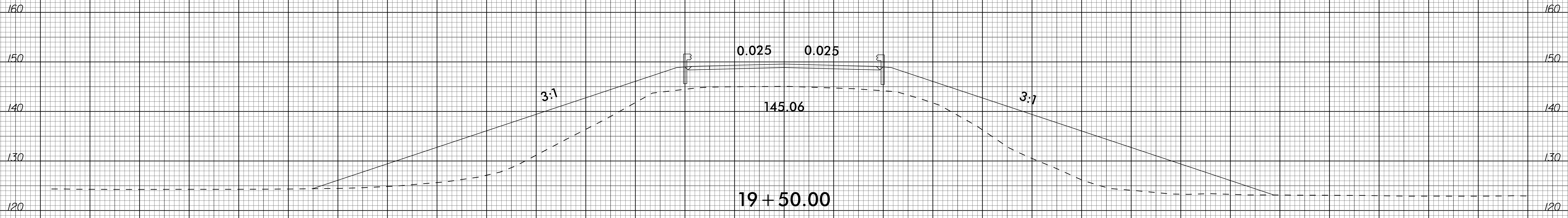
6/23/16



PROJ. REFERENCE NO.
B-5666

SHEET NO.
X-10

150 140 130 120 110 100 90 80 70 60 50 40 30 20 10 0 10 20 30 40 50 60 70 80 90 100 110 120 130 140 150



150 140 130 120 110 100 90 80 70 60 50 40 30 20 10 0 10 20 30 40 50 60 70 80 90 100 110 120 130 140 150

07-APR-2020 13:28
 \\s01r1\work\B-5666\Roadway\CorridorModeling\B-5666_Rdy_xpl.dgn
 \$\$\$\$SECRET\$\$\$\$