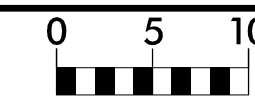


6/23/16

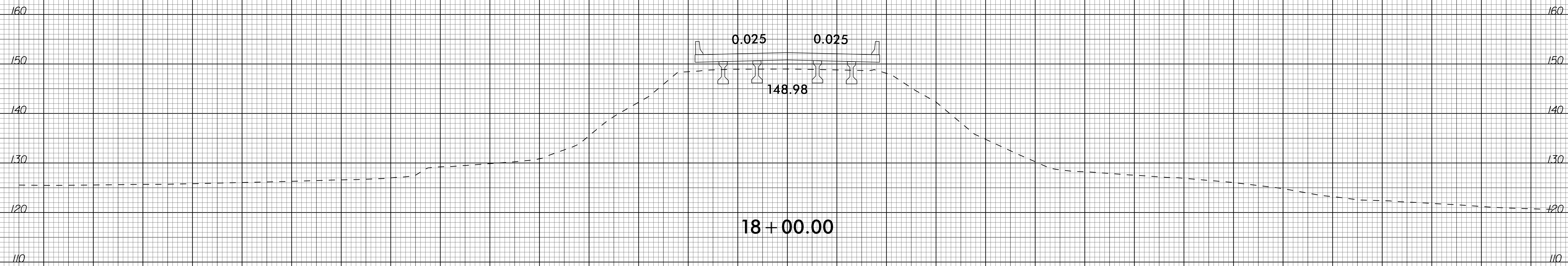
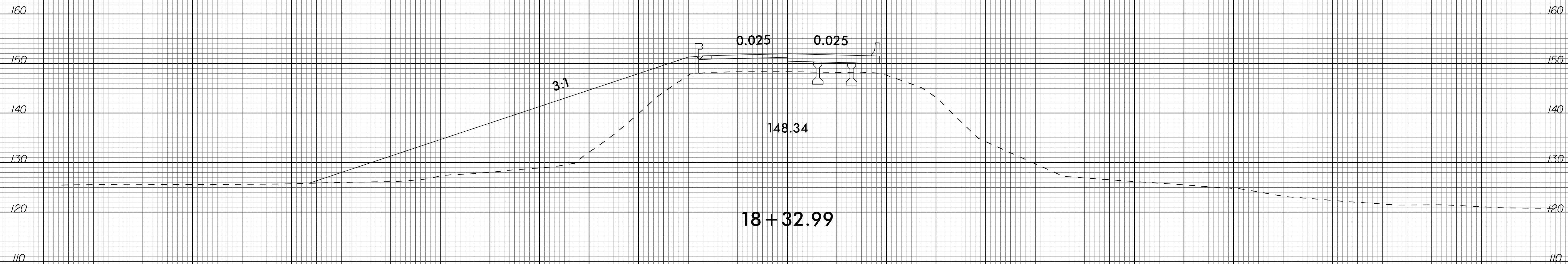


PROJ. REFERENCE NO.  
B-5666

SHEET NO.  
X-8

150 140 130 120 110 100 90 80 70 60 50 40 30 20 10 0 10 20 30 40 50 60 70 80 90 100 110 120 130 140 150

END BRIDGE -L- STA. 18+33.00



150 140 130 120 110 100 90 80 70 60 50 40 30 20 10 0 10 20 30 40 50 60 70 80 90 100 110 120 130 140 150

07-APR-2020 13:28  
\\s:\018\180145\_22 B-5666\Roadway\Corridor Modeling\B-5666\_Rdy\_xpl.dgn