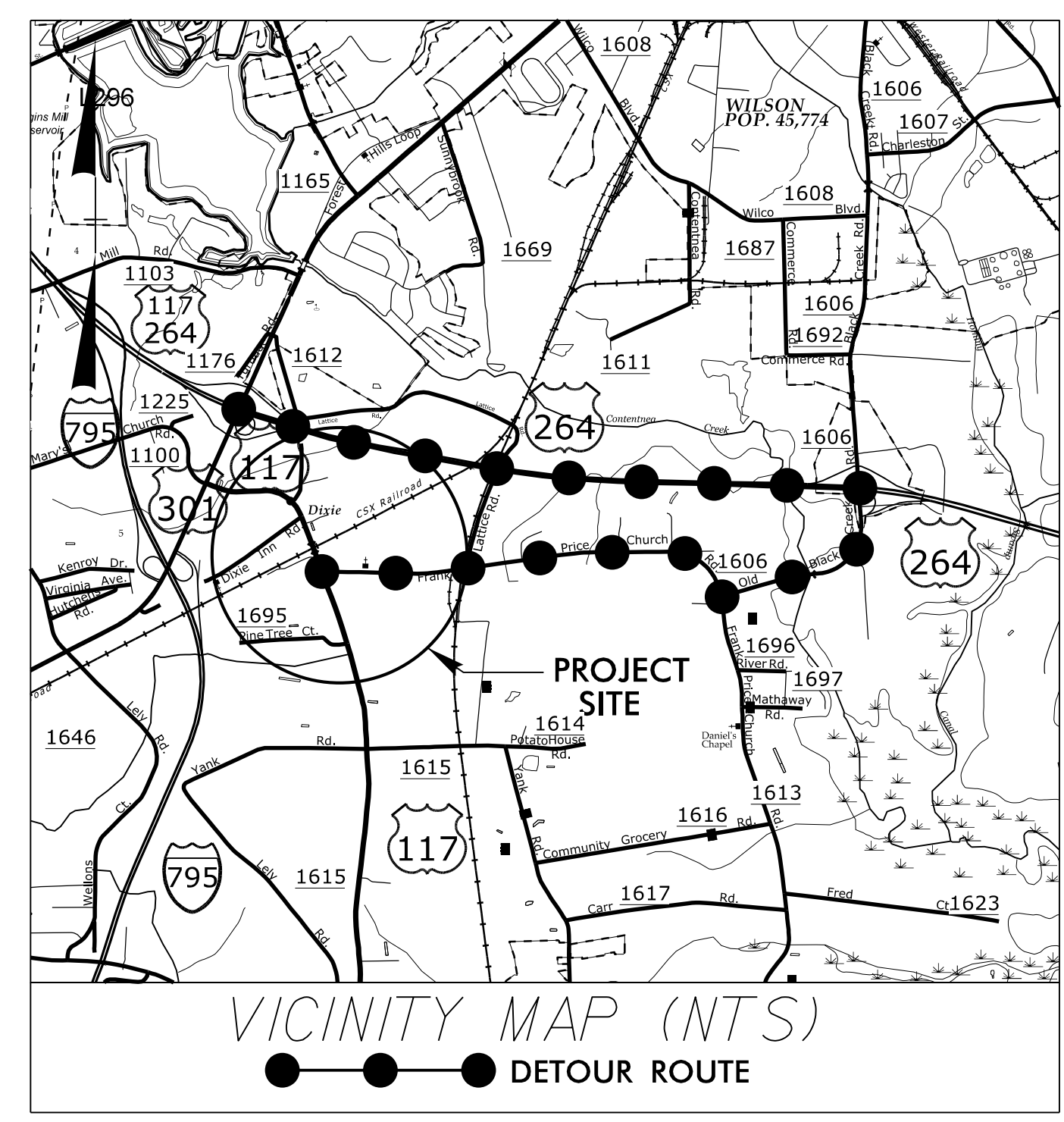


09/08/99

TIP PROJECT: B-5666



STATE OF NORTH CAROLINA
DIVISION OF HIGHWAYS

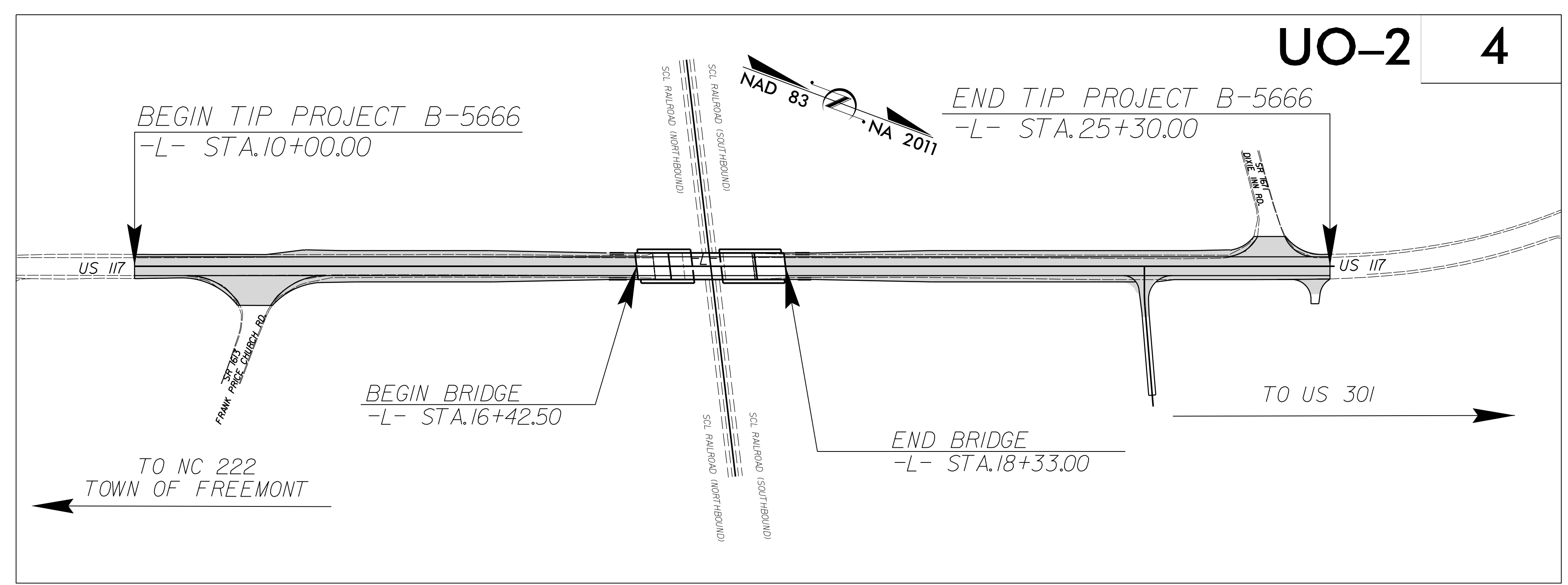
**UTILITIES BY OTHERS PLANS
WILSON COUNTY**

LOCATION: REPLACE BRIDGE NO. 47 OVER
SCL RAILROAD ON US 117

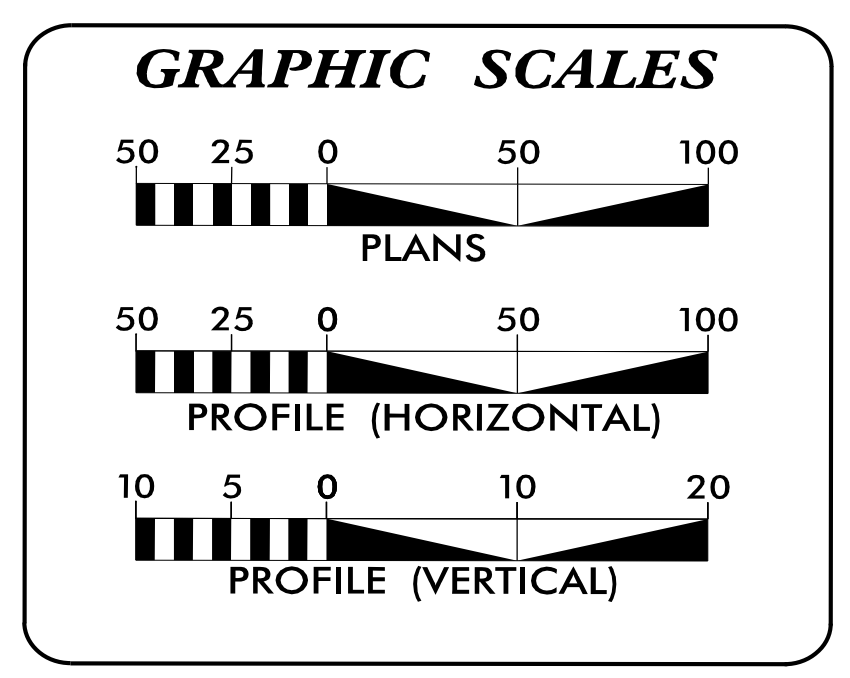
TYPE OF WORK: RELOCATION OF U/G COMMUNICATION LINES
& AERIAL POWER LINES

T.I.P. NO.	SHEET NO.
B-5666	UO-1

NOTE:
ALL UTILITY WORK SHOWN ON THIS SHEET WILL BE DONE BY OTHERS. NO PAYMENT WILL BE MADE TO THE CONTRACTOR FOR UTILITY WORK SHOWN ON THIS SHEET.



21-APR-2020 09:33
M:\2018\266609145\22 B-5666\Utilities\290_001-B-5666_rdy03_ut_01_psh.dgn
\$\$\$\$\$USERNAME\$\$\$\$\$



INDEX OF SHEETS

SHEET NO.:	DESCRIPTION:
UO-1	TITLE SHEET
UO-2	UBO PLAN SHEET

UTILITY OWNERS WITH CONFLICTS

- (A) POWER - TOWN OF BLACK CREEK
- (B) TELEPHONE & FIBER OPTIC - CENTURYLINK
- (C) CABLE TV - CHARTER /SPECTRUM

PREPARED IN THE OFFICE OF:

KCI
http://www.kci.com

KCI Associates of N.C., P.A.
4505 Falls of Neuse Road, Suite 400
Raleigh, NC 27609
Phone (919) 783-9214
Fax (919) 783-9266

JOHN FAISON PROJECT UTILITY COORDINATOR
DANIEL ALLEN PROJECT UTILITY DESIGNER

**DIVISION OF HIGHWAYS
UTILITIES UNIT**
1555 MAIL SERVICES CENTER
RALEIGH NC 27699-1555
PHONE (919) 707-6690
FAX (919) 250-4151

NABIL HAMDAN REGIONAL UTILITIES ENGINEER
KYLE PLEASANT UTILITIES AREA COORDINATOR
KIFAH KAMIL SENIOR UTILITIES ENGINEER
LARRY JAMES JR. SENIOR UTILITIES COORDINATOR