

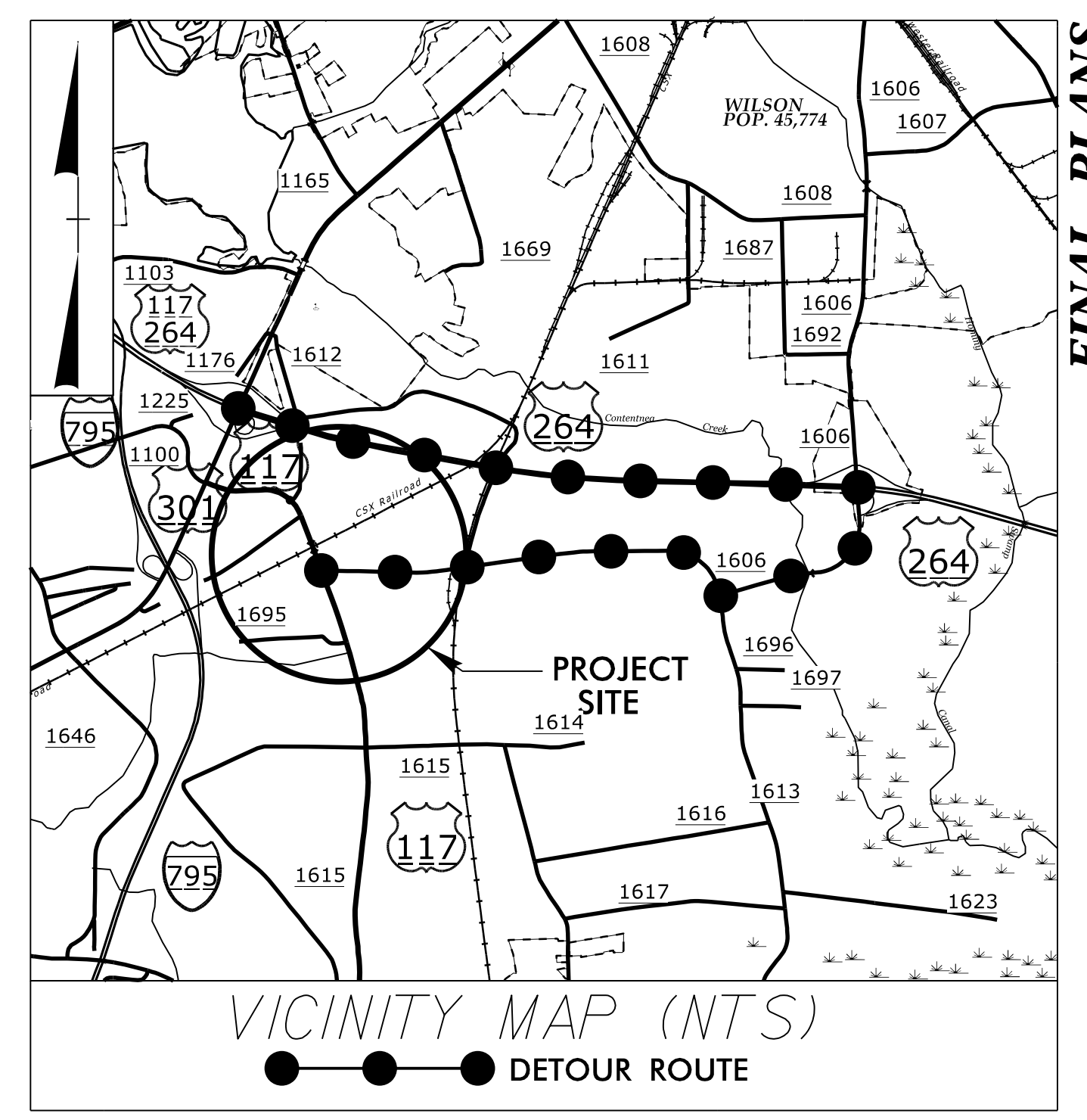
STATE OF NORTH CAROLINA
DIVISION OF HIGHWAYS

WILSON COUNTY

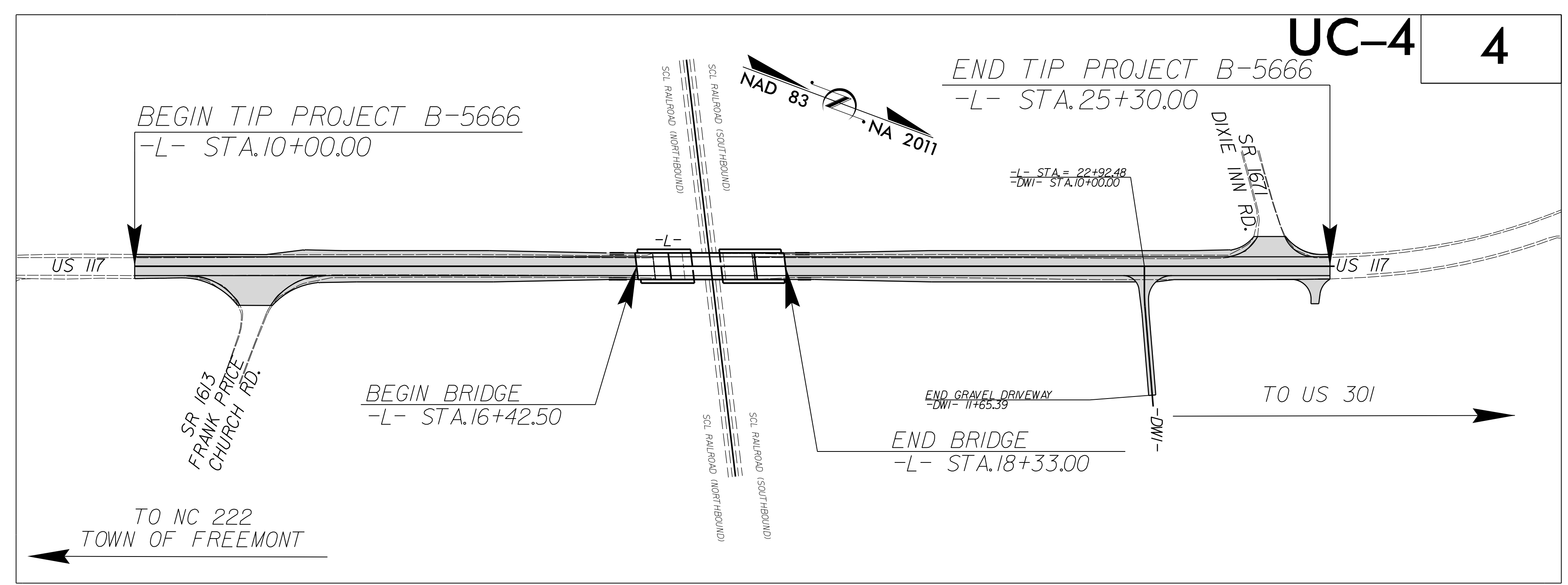
**LOCATION: REPLACE BRIDGE NO. 47 OVER SEABOARD
COAST LINE RAILROAD ON US 117**

TYPE OF WORK: WATERLINE ABANDONMENT

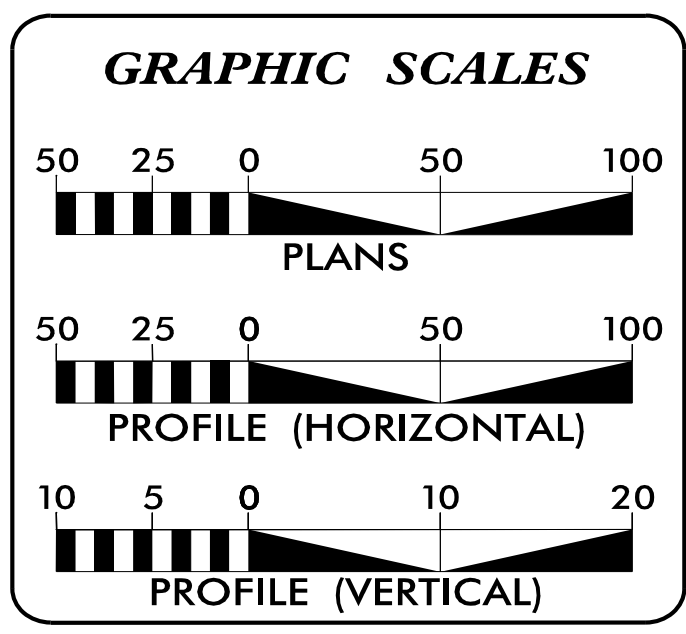
TIP PROJECT: B-5666



FINAL PLANS



DOCUMENT NOT CONSIDERED FINAL
UNTIL ALL SIGNATURES ARE COMPLETED



SHEET NO.:	DESCRIPTION:
UC-1	TITLE SHEET
UC-2	UTILITY SYMBOLOGY
UC-3	NOTES
UC-3A	DETAILS
UC-3B	DETAILS
UC-4	UTILITY PLAN SHEET

**WATER OWNER
ON PROJECT**

TOWN OF BLACK CREEK
112 WEST CENTER STREET
POST OFFICE BOX 8
BLACK CREEK, NC 27813

PREPARED IN THE OFFICE OF

KCI
Engineers • Planners • Scientists • Construction Managers
4505 Falls of Neuse Road, Suite 400
Raleigh, NC 27609
Phone (919) 783-9214 • Fax (919) 783-9266
License No. C-764

DINKISSA KEREYU, PE PROJECT ENGINEER
MARCO MENENDEZ, PE PROJECT MANAGER
CHARLES SHEARON PROJECT DESIGNER

SEAL

**DIVISION OF HIGHWAYS
UTILITIES UNIT**
1555 MAIL SERVICES CENTER
RALEIGH, NC 27699-1555
PHONE (919) 707-6690
FAX (919) 250-4151

NABIL HAMDAN UTILITIES REGIONAL ENGINEER
KIFAH KAMIL UTILITIES ENGINEER
KYLE PLEASANT UTILITIES AREA COORDINATOR
LARRY JAMES UTILITIES COORDINATOR