

RAILROAD EROSION CONTROL DETAIL

PROJECT REFERENCE NO. B-5666	SHEET NO. EC-2B
RW SHEET NO.	
ROADWAY DESIGN ENGINEER	HYDRAULICS ENGINEER

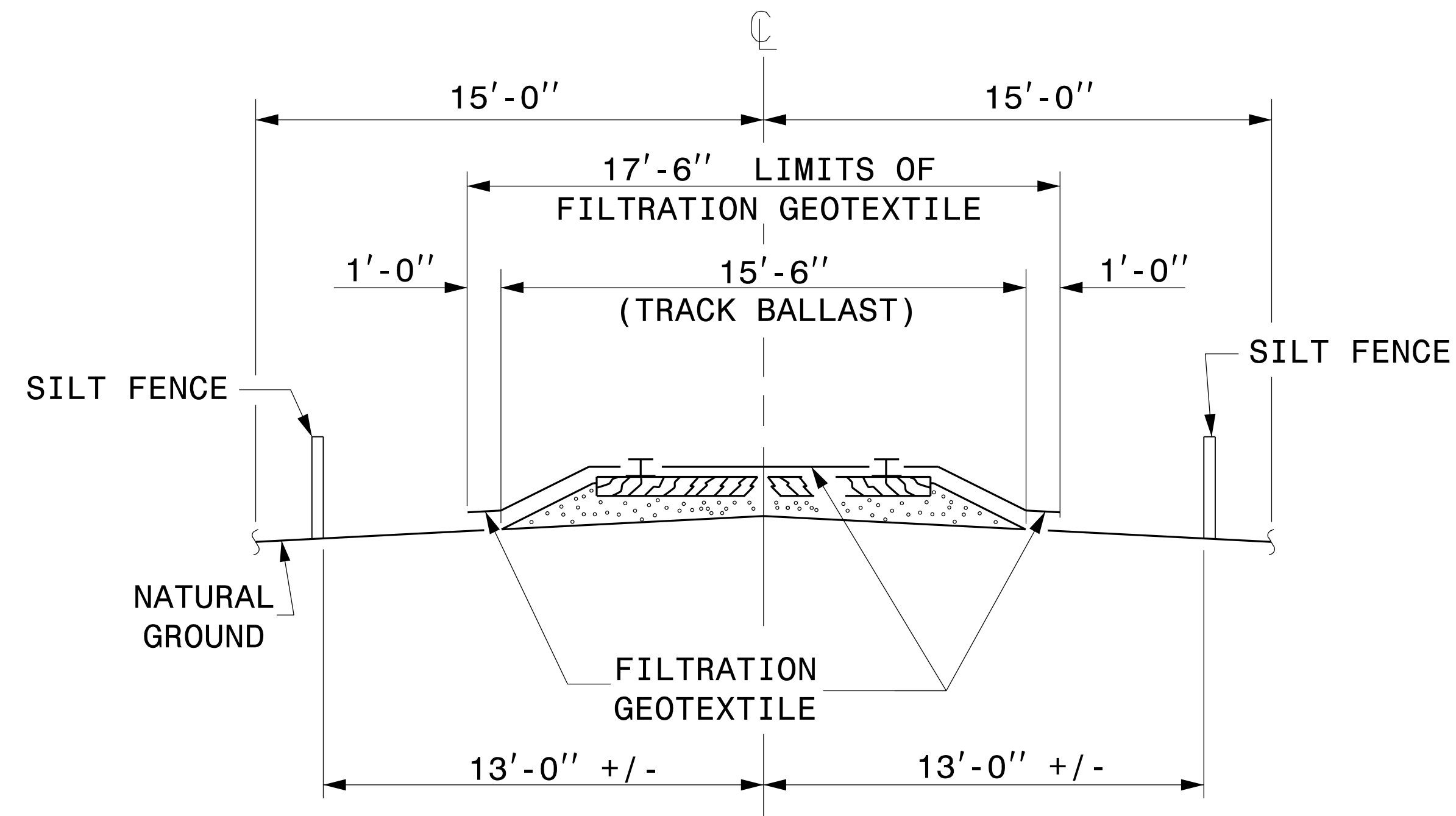
STATE OF NORTH CAROLINA
DEPT. OF TRANSPORTATION
DIVISION OF HIGHWAYS
RALEIGH, N.C.

1-12

ENGLISH STANDARD DRAWING FOR
RAILROAD EROSION CONTROL DETAIL

SHEET 1 OF 1

1604.01



NOTES

INSTALL RAILROAD EROSION CONTROL MEASURES PRIOR TO PERFORMING ANY WORK IN THE RAILROAD RIGHT-OF-WAY.

ADDITIONAL EROSION CONTROL MEASURES FOR PROTECTION OF RAILROAD DITCHES MAY BE REQUIRED AS DIRECTED.

MAKE NO SEPARATE PAYMENT FOR RAILROAD EROSION CONTROL MEASURES.

EXTEND LIMITS OF SILT FENCE AND FILTRATION GEOTEXTILE PARALLEL TO RAILROAD A MINIMUM OF 10'-0" OUTSIDE EDGE OF SUPERSTRUCTURE OR TOE OF SLOPE ON CONSTRUCTION. A GREATER LENGTH OF SILT FENCE OR FILTRATION GEOTEXTILE MAY BE REQUIRED AS DIRECTED.

NAIL FILTRATION GEOTEXTILE TO TIMBER RAIL TIES WITH PRIME SOURCE "GRIP CAP" OR EQUIVALENT. SECURE FILTRATION GEOTEXTILE ON SHOULDER AS DIRECTED BY THE RAILROAD AND NCDOT.

STATE OF NORTH CAROLINA
DEPT. OF TRANSPORTATION
DIVISION OF HIGHWAYS
RALEIGH, N.C.

1-12

ENGLISH STANDARD DRAWING FOR
RAILROAD EROSION CONTROL DETAIL

SHEET 1 OF 1

1604.01