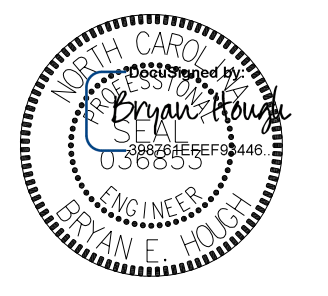


APPROVED: _____

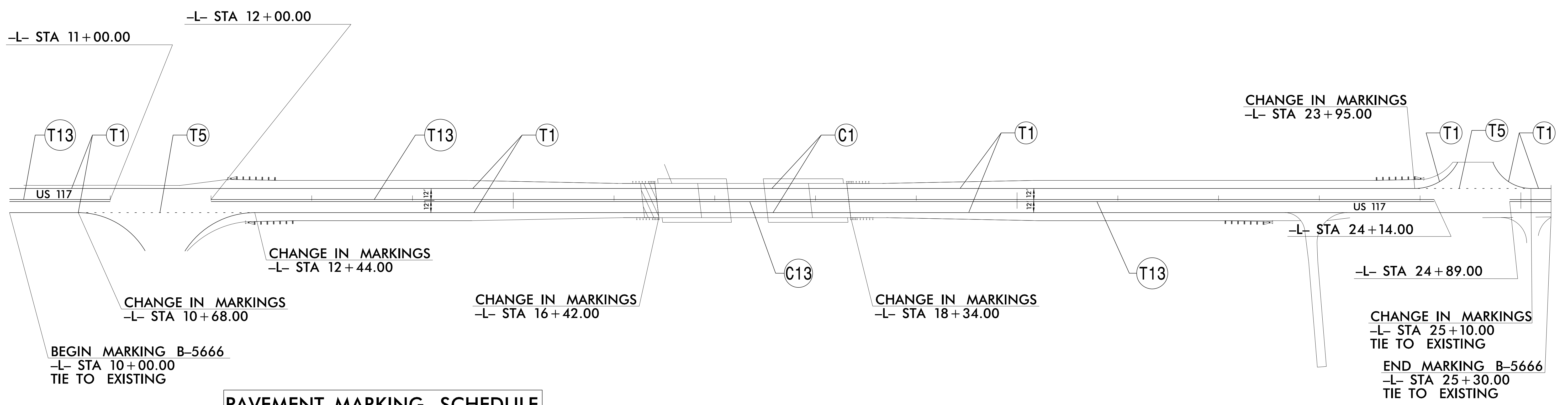
DATE: 5/7/2020

SEAL



KCI Engineers • Planners • Scientists • Construction Managers
4601 Six Forks Road, Landmark Center II, Suite 220
Raleigh, NC 27606-5210
Phone (919) 783-0214 • Fax (919) 783-0266

10 15 20 25



PAVEMENT MARKING SCHEDULE

- T1** THERMOPLASTIC (4", 90 MILS)
WHITE EDGELINE (4")
- T13** THERMOPLASTIC (4", 90 MILS)
YELLOW DOUBLE CENTER (4")
- T5** THERMOPLASTIC (4", 90 MILS)
2 FT. - 6 FT./SP WHITE MINISKIP
- C1** COLD APPLIED (4", TYPE 2)
WHITE EDGELINE
- C13** COLD APPLIED (4", TYPE 2)
YELLOW DOUBLE CENTER

**PAVEMENT MARKING DETAIL
AND SCHEDULE**

3/30/2020
M:\2018\251801945.22 B-5666\TrafficControl\TCP_B5666_PMP_02.dgn
User:brunhough