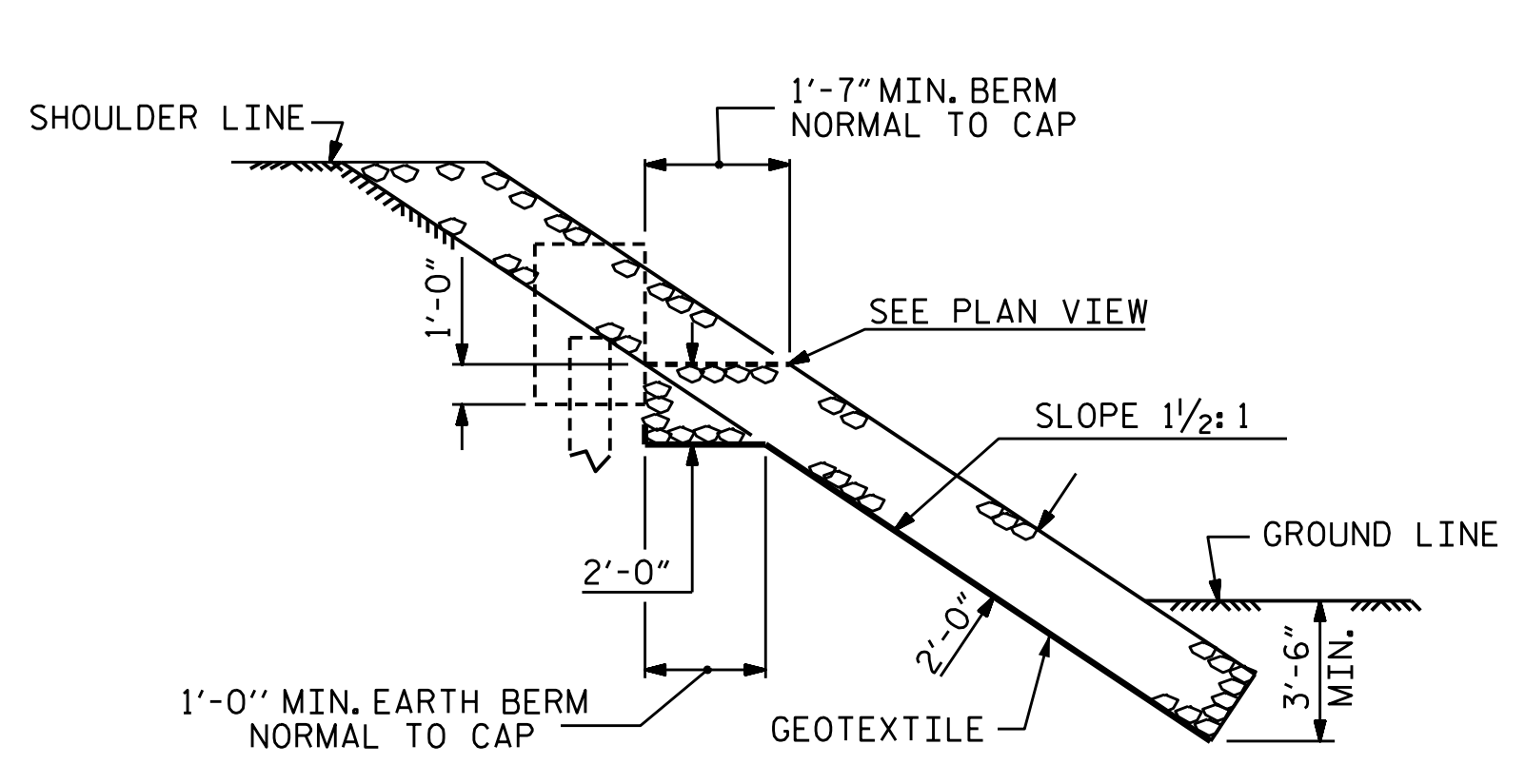


NOTES :
 FOR BERM WIDTH DIMENSIONS, SEE GENERAL DRAWING.
 BANK STABILIZATION NOT SHOWN. SEE ROADWAY PLANS FOR DETAIL AND PAY ITEM.

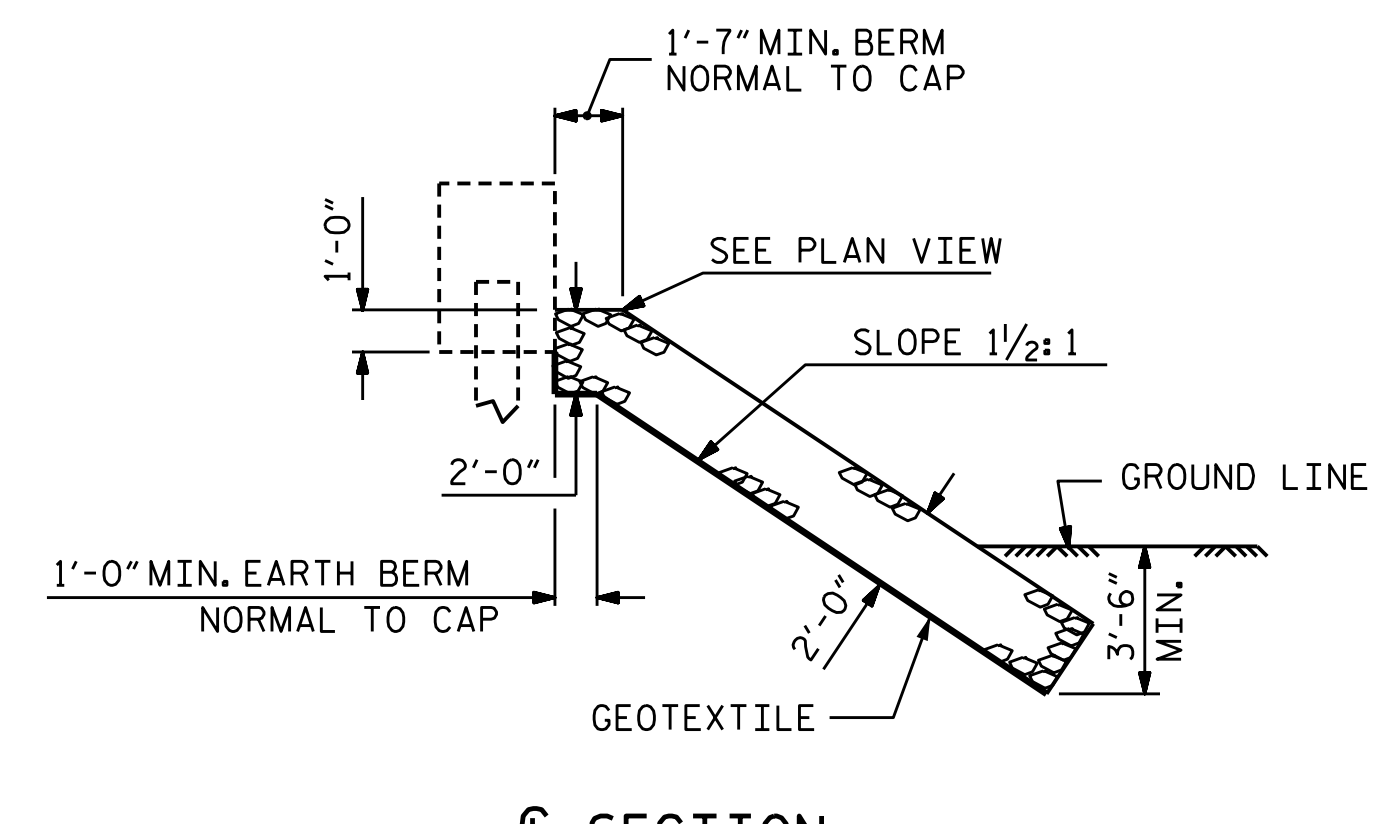
END BENT 1

END BENT 2

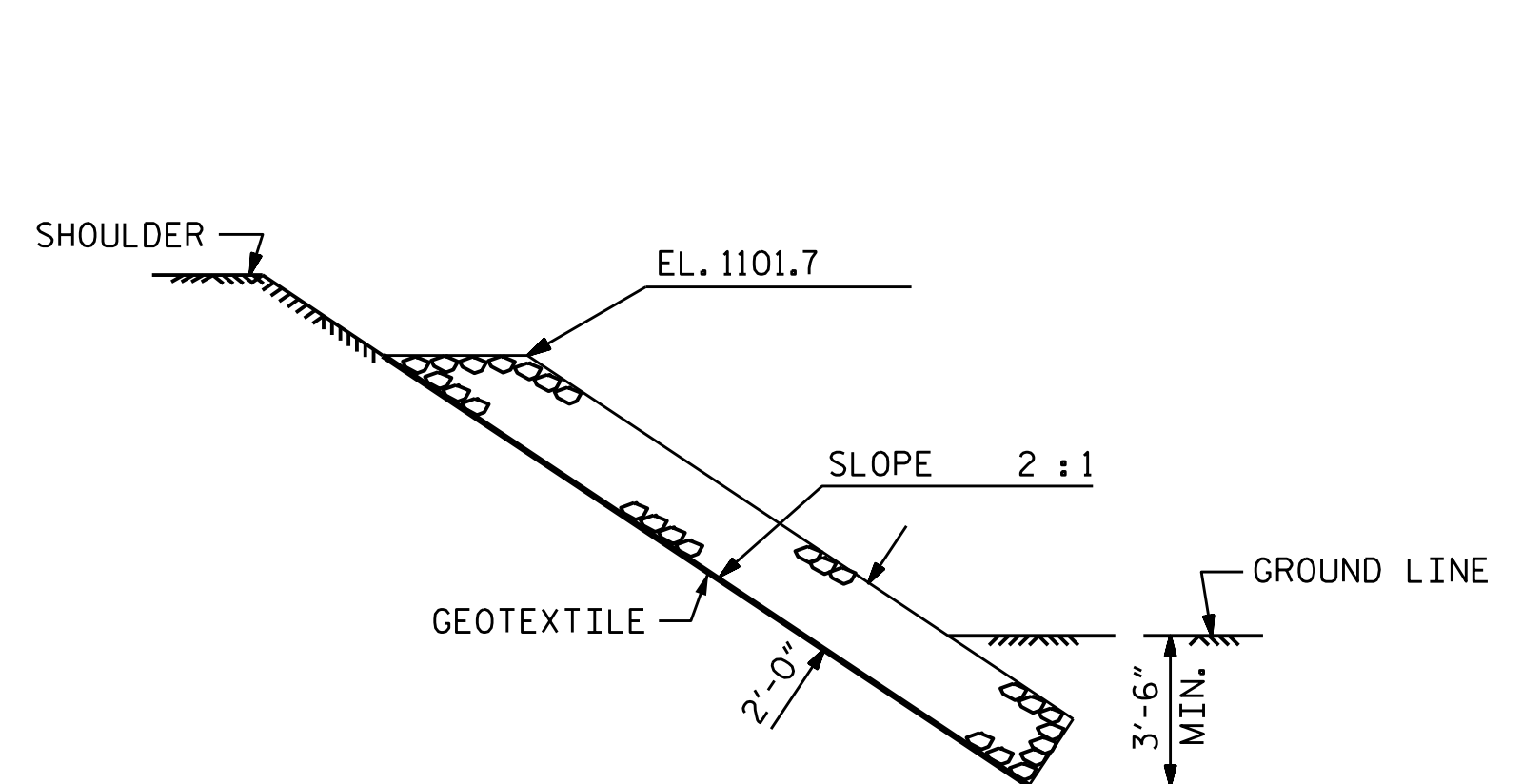
ESTIMATED QUANTITIES		
BRIDGE @ STA. 18+28.00 -L-	RIP RAP CLASS II (2'-0" THICK)	GEOTEXTILE FOR DRAINAGE
	TONS	SQUARE YARDS
END BENT 1	80	90
END BENT 2	67	72



SECTION H-H



SECTION C-C



SECTION C-C

PROJECT NO. BR-0108
WILKES COUNTY
 STATION: 18+28.00 -L-

STATE OF NORTH CAROLINA
 DEPARTMENT OF TRANSPORTATION
 RALEIGH
 STANDARD
RIP RAP DETAILS



ASSEMBLED BY : J.M. KEPICH	DATE : 12/20
CHECKED BY : L.M. SAMPLES	DATE : 04/21
DRAWN BY : REK 1/84	REV. 10/1/11 MAA/GM
CHECKED BY : RDU 1/84	REV. 12/21/11 MAA/GM
	REV. 12/17 MAA/THC

ms consultants, inc.
 5444 Wade Park Blvd.
 Suite 160
 Raleigh, NC 27607
 NC License Number : C-3239

REVISIONS						SHEET NO.
NO.	BY:	DATE:	NO.	BY:	DATE:	S-13
1			3			TOTAL SHEETS
2			4			14