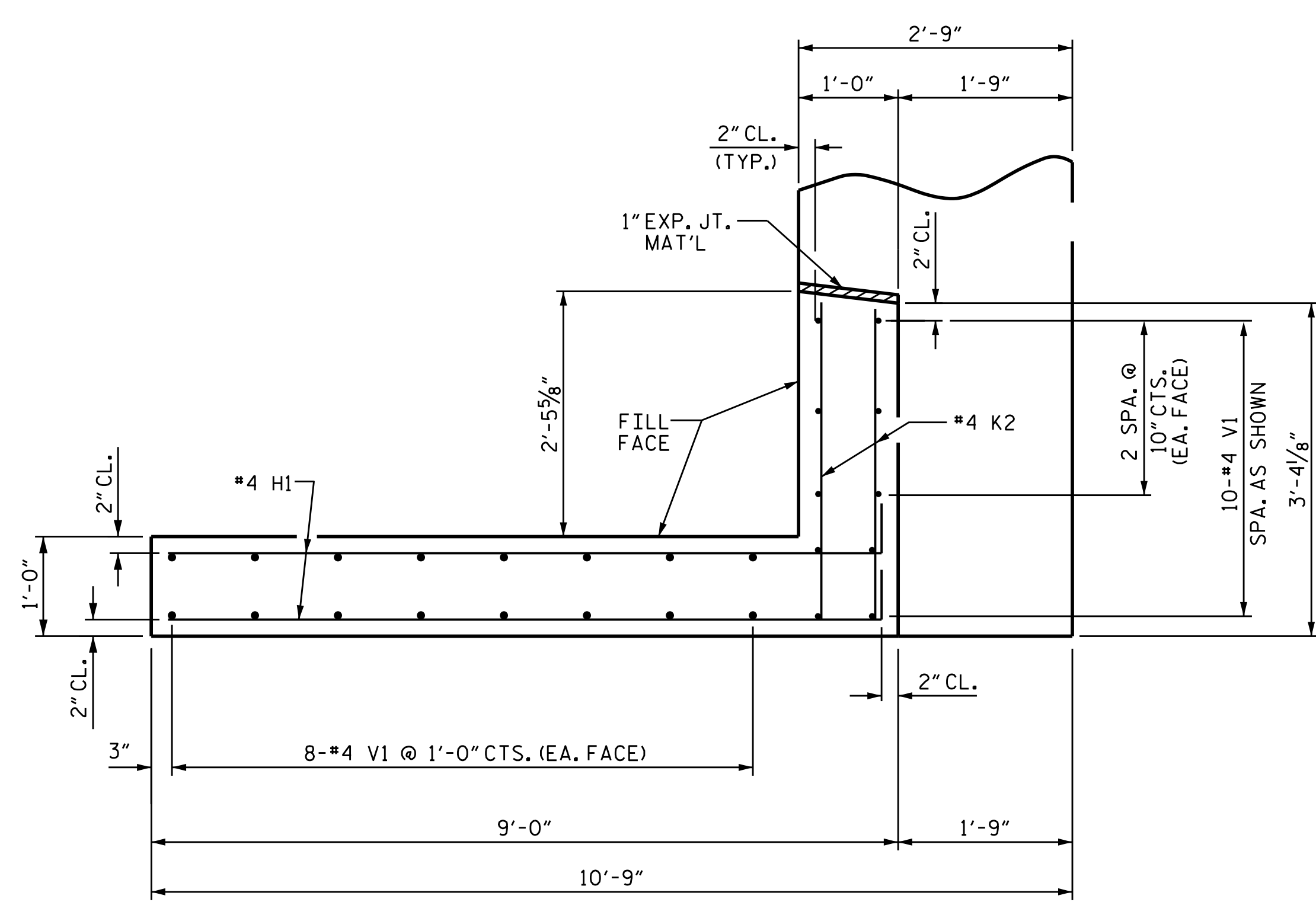
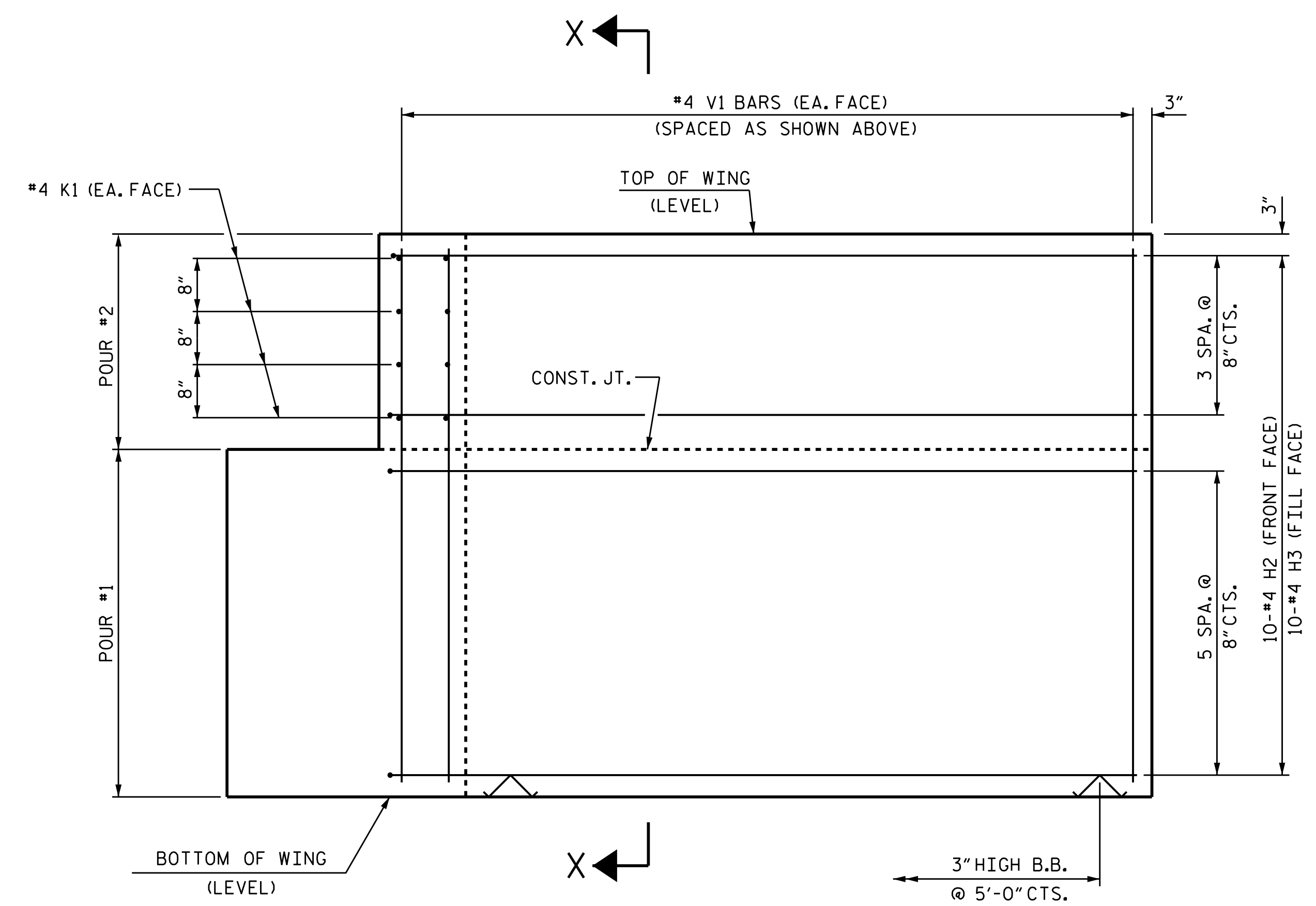


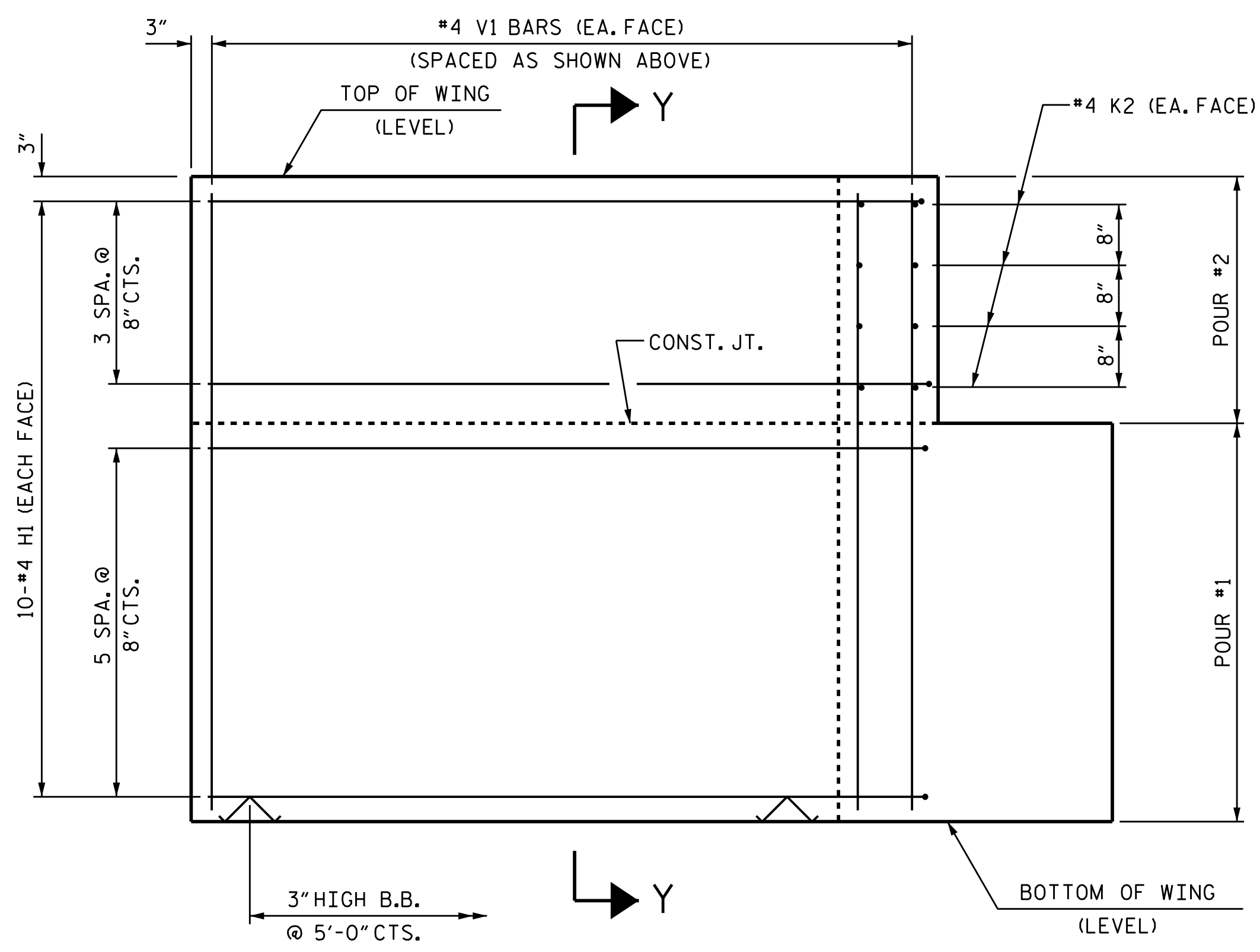
PLAN OF WING (W1)



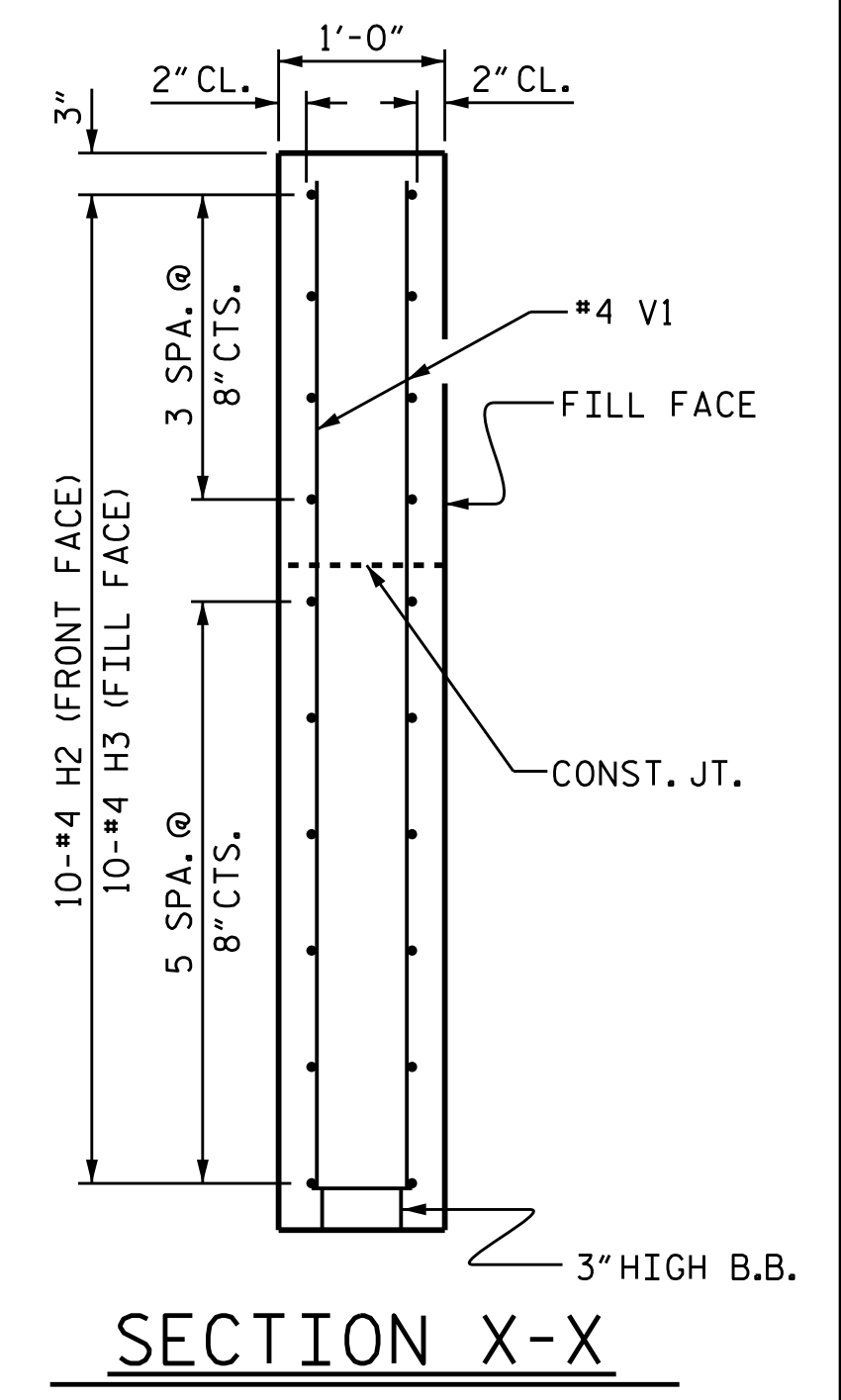
PLAN OF WING (W2)



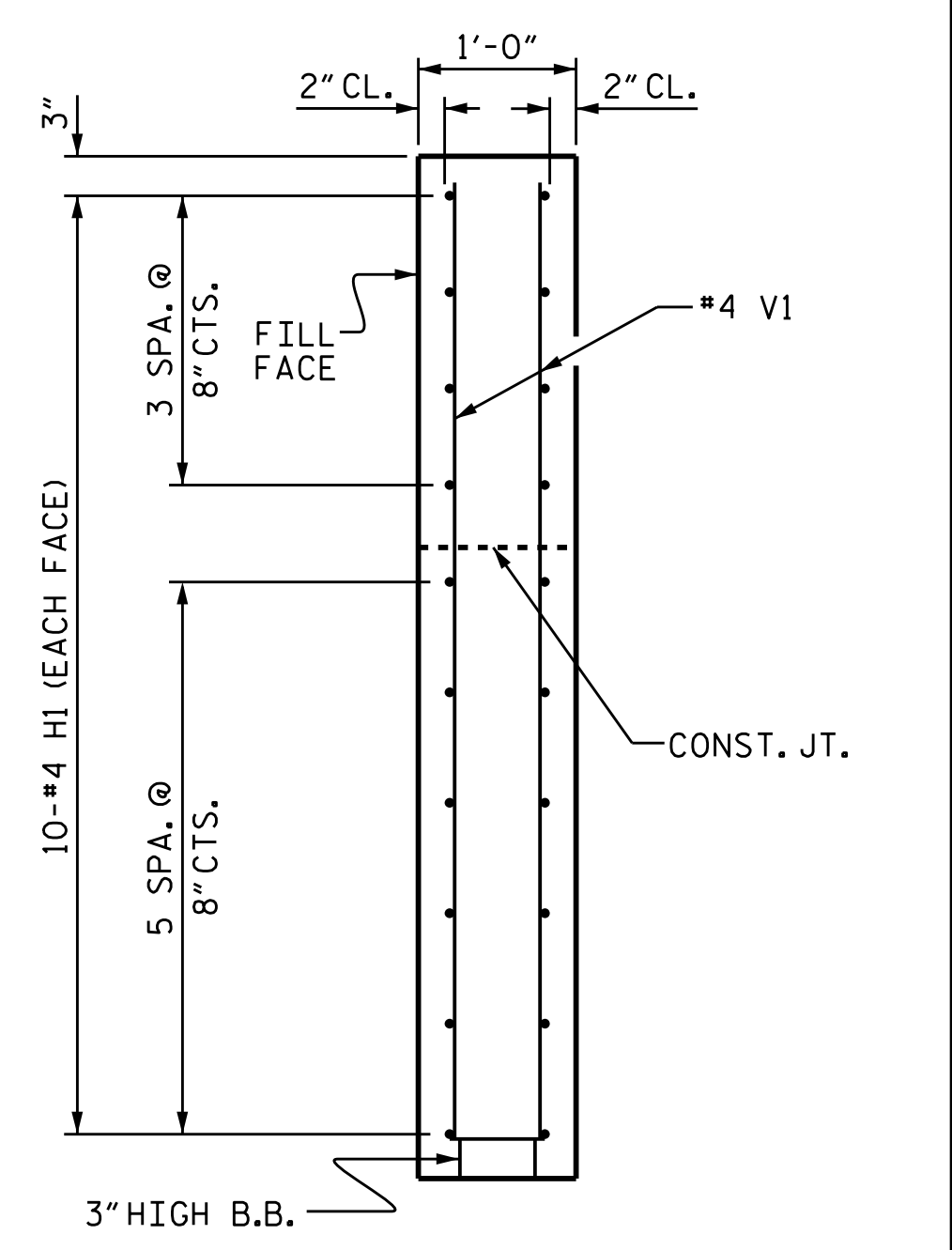
ELEVATION OF WING (W1)



ELEVATION OF WING (W2)



SECTION X-X



SECTION Y-Y

PROJECT NO. BR-0108  
 WILKES COUNTY  
 STATION: 18+28.00 -L-

STATE OF NORTH CAROLINA  
 DEPARTMENT OF TRANSPORTATION  
 RALEIGH

SUBSTRUCTURE  
 END BENT  
 WING DETAILS



ms consultants, inc.  
 5444 Wade Park Blvd.  
 Suite 160  
 Raleigh, NC 27607  
 NC License Number : C-3239

REVISIONS				SHEET NO.			
NO.	BY:	DATE:	NO.	BY:	DATE:	S-11	
1			3			TOTAL SHEETS	
2			4			14	

DRAWN BY : J.M. KEPICH DATE : 03/21  
 CHECKED BY : L.M. SAMPLES DATE : 04/21  
 DESIGN ENGINEER OF RECORD : J.M. KEPICH DATE : 05/21

WING DETAILS