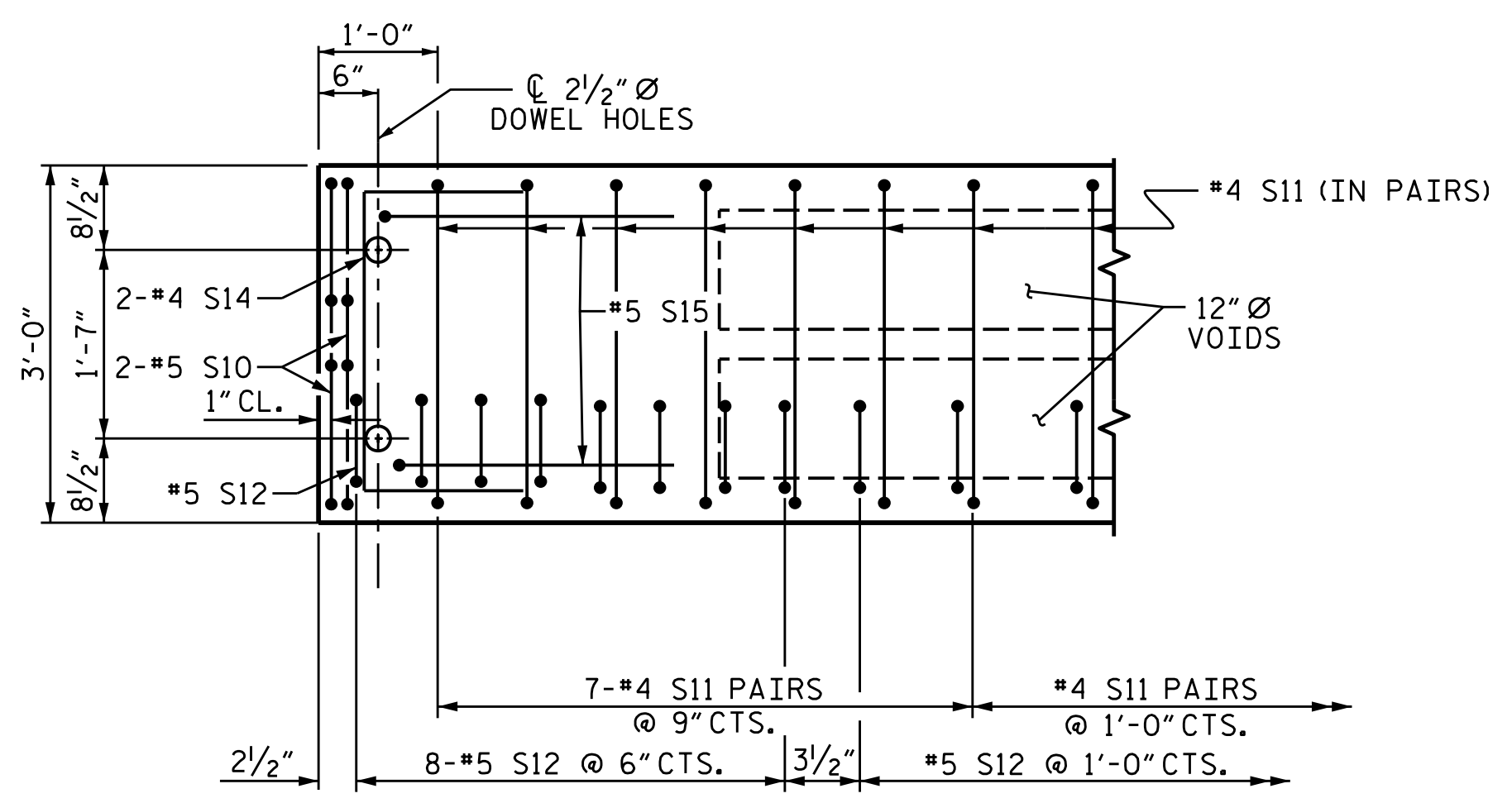
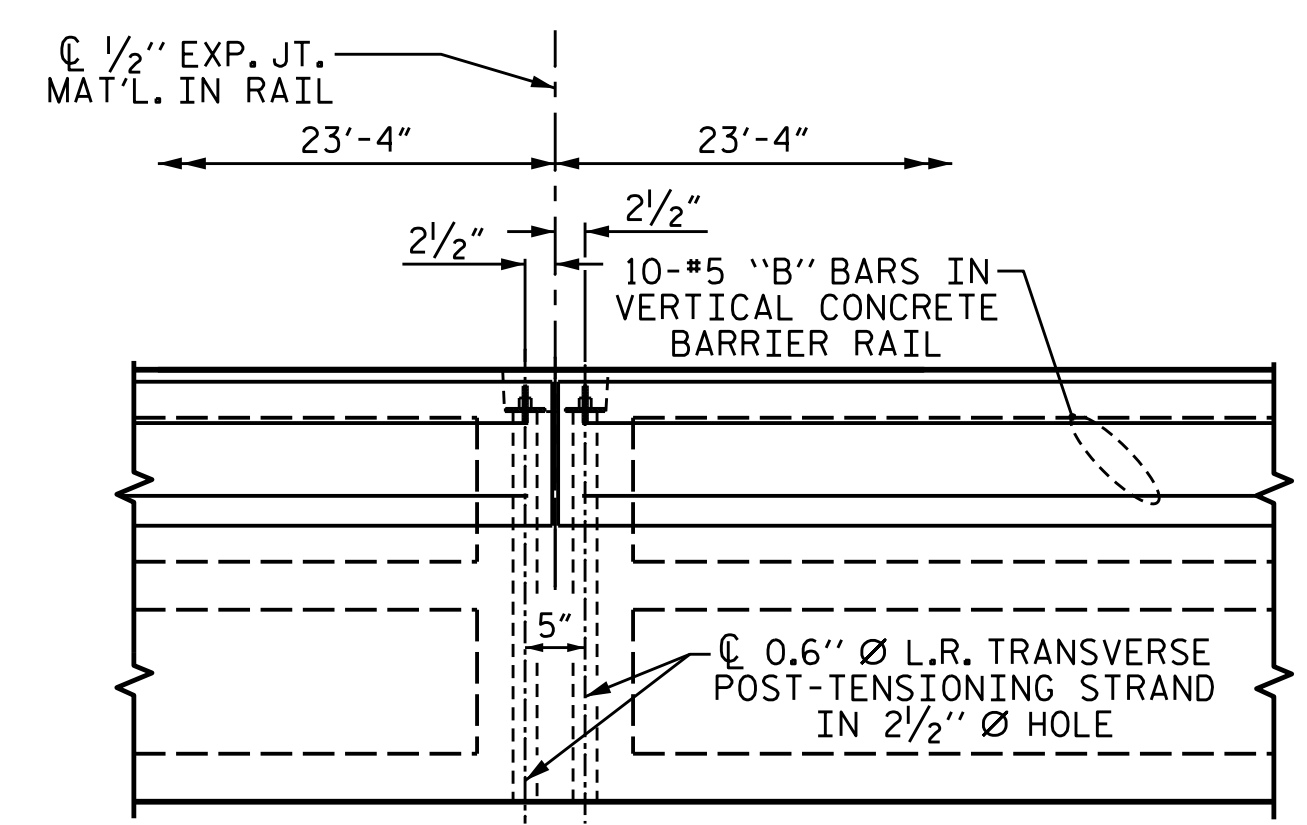


PLAN OF UNIT



DETAIL "A"

(TYPICAL EACH END OF UNIT)
NOTE: EXTERIOR UNIT SHOWN - INTERIOR UNIT SIMILAR EXCEPT OMIT #5 S12 BARS.

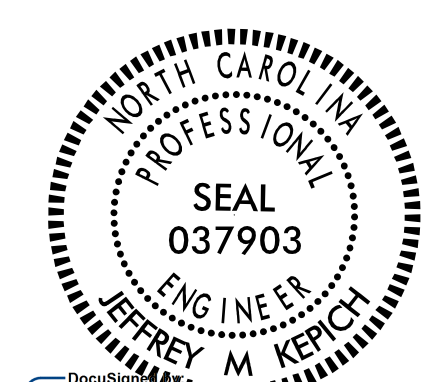


DETAIL "B"

#4 S11 BARS MAY BE SHIFTED AS NECESSARY TO MAINTAIN 1" CLEAR TO GROUDED RECESS AND 2 1/2" Ø TRANSVERSE POST-TENSIONING STRAND HOLES

PROJECT NO. BR-0108
WILKES COUNTY
STATION: 18+28.00 -L-
SHEET 2 OF 3

STATE OF NORTH CAROLINA
DEPARTMENT OF TRANSPORTATION
RALEIGH
PLAN OF 70' UNIT
27'-10" CLEAR ROADWAY
90° SKEW



ms consultants, inc.
5444 Wade Park Blvd.
Suite 160
Raleigh, NC 27607
NC License Number : C-3239

REVISIONS						SHEET NO.
NO.	BY:	DATE:	NO.	BY:	DATE:	S-6
1			3			TOTAL SHEETS
2			4			14

*****SYTIME*****
*****DCN*****
*****USERNAME*****

DRAWN BY : J.M. KEPICH DATE : 03/21
CHECKED BY : L.M. SAMPLES DATE : 04/21
DESIGN ENGINEER OF RECORD : J.M. KEPICH DATE : 05/21