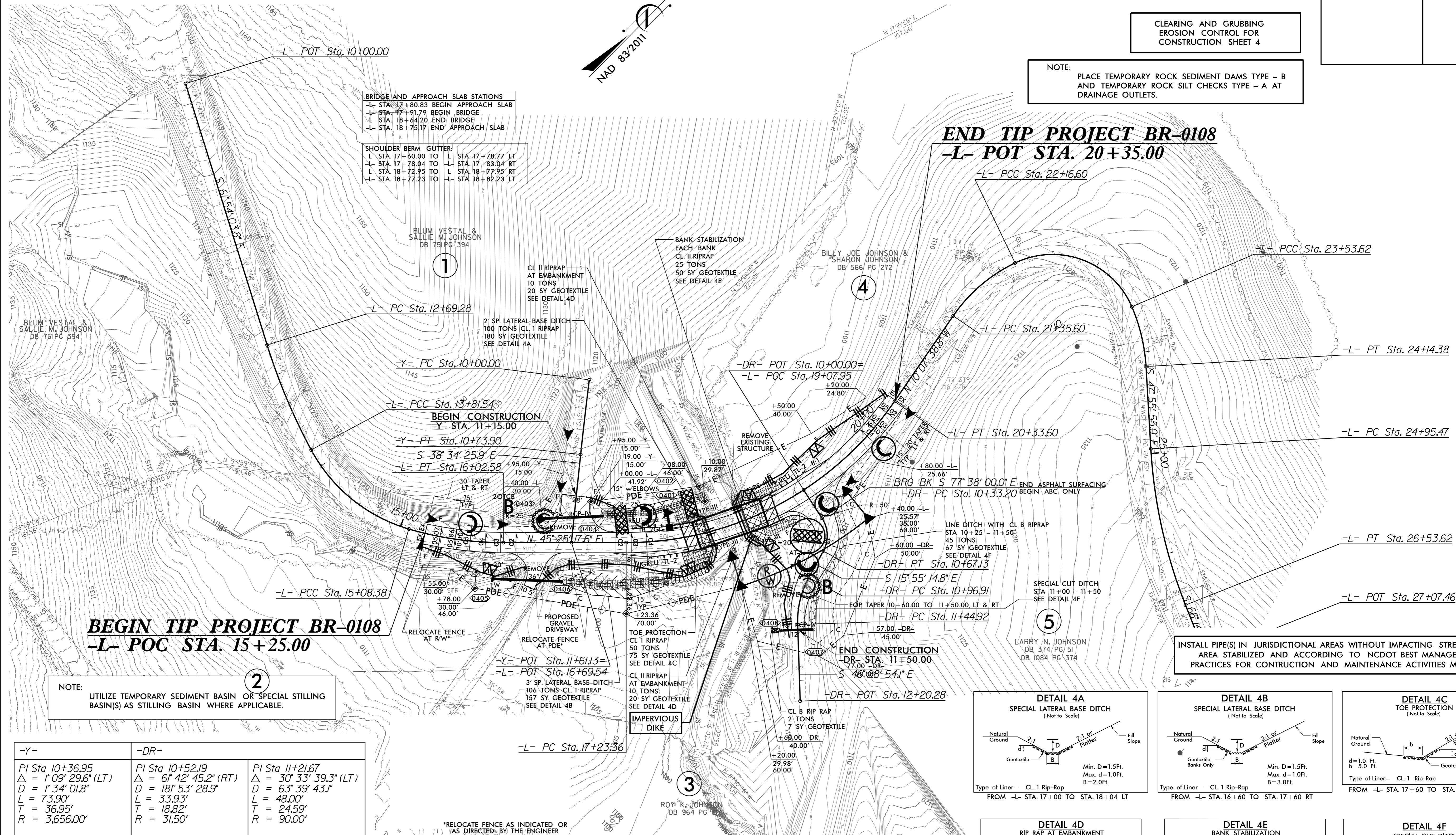


PROJECT REFERENCE NO.	SHEET NO.
BR-0108	EC-04/CONST.04
RW SHEET NO.	
ROADWAY DESIGN ENGINEER	HYDRAULICS ENGINEER

CLEARING AND GRUBBING  
EROSION CONTROL FOR  
CONSTRUCTION SHEET 4

NOTE:  
PLACE TEMPORARY ROCK SEDIMENT DAMS TYPE - B  
AND TEMPORARY ROCK SILT CHECKS TYPE - A AT  
DRAINAGE OUTLETS.

**END TIP PROJECT BR-0108**  
**-L- POT STA. 20+35.00**

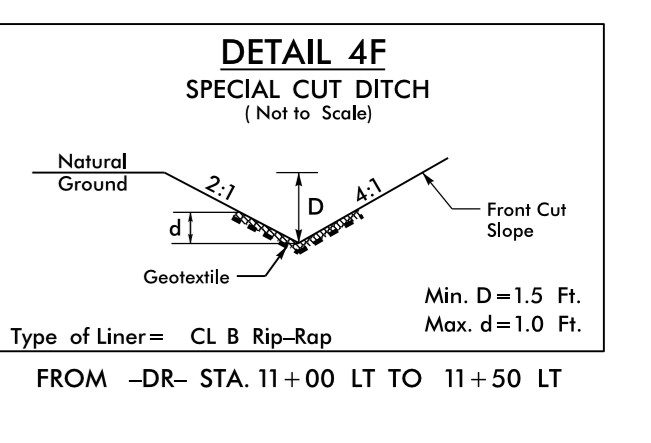
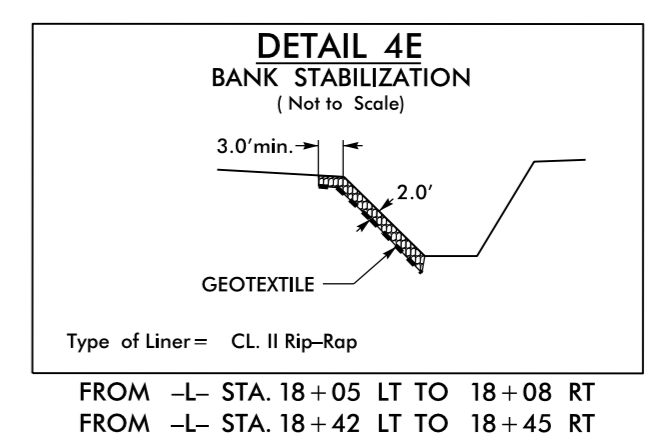
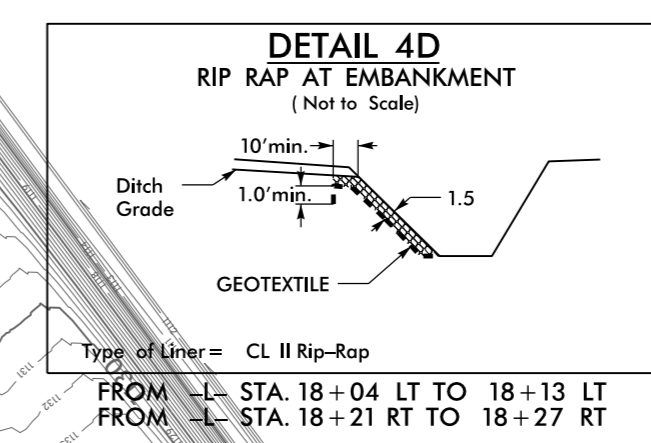
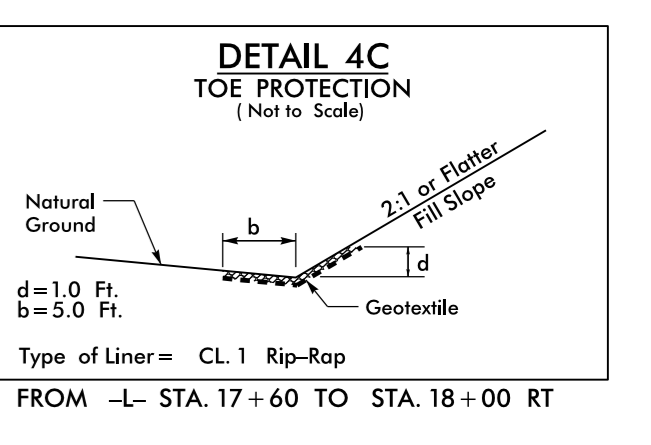
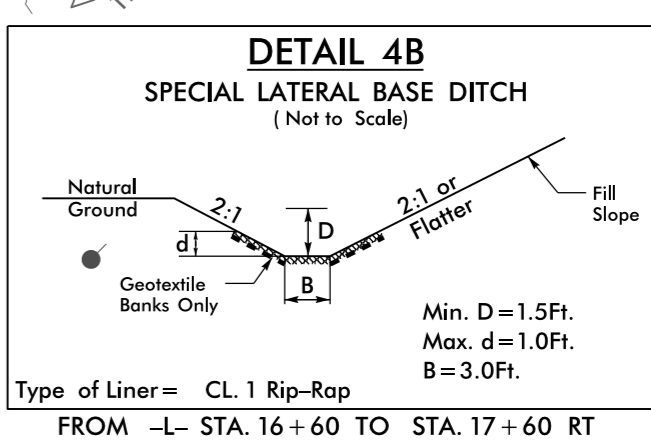
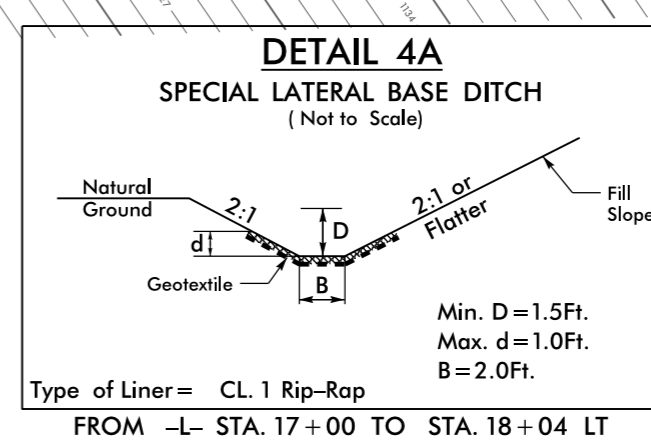


**BEGIN TIP PROJECT BR-0108**  
**-L- POC STA. 15+25.00**

NOTE:  
UTILIZE TEMPORARY SEDIMENT BASIN OR SPECIAL STILLING BASIN(S) AS STILLING BASIN WHERE APPLICABLE.

-Y-	-DR-	-L-
PI Sta 10+36.95 $\Delta = 1^{\circ}09'29.6"$ (LT) $D = 1^{\circ}34'01.8"$ $L = 73.90'$ $T = 36.95'$ $R = 3,656.00'$	PI Sta 10+52.19 $\Delta = 61^{\circ}42'45.2"$ (RT) $D = 181^{\circ}53'28.9"$ $L = 33.93'$ $T = 18.82'$ $R = 31.50'$	PI Sta 11+21.67 $\Delta = 30^{\circ}33'39.3"$ (LT) $D = 63^{\circ}39'43.1"$ $L = 48.00'$ $T = 24.59'$ $R = 90.00'$

-L-	-L-	-L-	-L-	-L-	-L-	-L-	-L-
PI Sta 13+25.58 $\Delta = 10^{\circ}54'04.4"$ (LT) $D = 9^{\circ}42'40.1"$ $L = 112.25'$ $T = 56.30'$ $R = 590.00'$	PI Sta 14+48.50 $\Delta = 45^{\circ}25'16.9"$ (LT) $D = 35^{\circ}48'35.5"$ $L = 126.84'$ $T = 66.96'$ $R = 160.00'$	PI Sta 15+55.80 $\Delta = 16^{\circ}21'17.2"$ (LT) $D = 17^{\circ}21'44.5"$ $L = 94.20'$ $T = 47.42'$ $R = 330.00'$ SE = SEE PLANS RO = 60' DS = 30 MPH	PI Sta 18+91.89 $\Delta = 55^{\circ}32'56.4"$ (LT) $D = 17^{\circ}54'17.8"$ $L = 310.24'$ $T = 168.53'$ $R = 320.00'$ SE = 0.04 RO = 60' DS = 30 MPH	PI Sta 21+77.05 $\Delta = 29^{\circ}56'36.5"$ (RT) $D = 36^{\circ}57'54.1"$ $L = 81.00'$ $T = 41.45'$ $R = 155.00'$	PI Sta 23+05.18 $\Delta = 92^{\circ}21'34.5"$ (RT) $D = 67^{\circ}24'24.5"$ $L = 137.02'$ $T = 88.57'$ $R = 85.00'$	PI Sta 23+84.31 $\Delta = 19^{\circ}53'32.6"$ (RT) $D = 32^{\circ}44'25.6"$ $L = 60.76'$ $T = 30.69'$ $R = 175.00'$	PI Sta 25+75.23 $\Delta = 18^{\circ}18'17.3"$ (LT) $D = 11^{\circ}34'29.7"$ $L = 158.14'$ $T = 79.75'$ $R = 495.00'$



SEE SHEET 5 FOR PROFILES  
FOR STRUCTURE PLANS, SEE SHEET S-1 THRU S-??

REVISIONS

8/17/99

3/12/02 02:35:35 P.V. PSH04.dgn  
HISHER, ALLEGRA