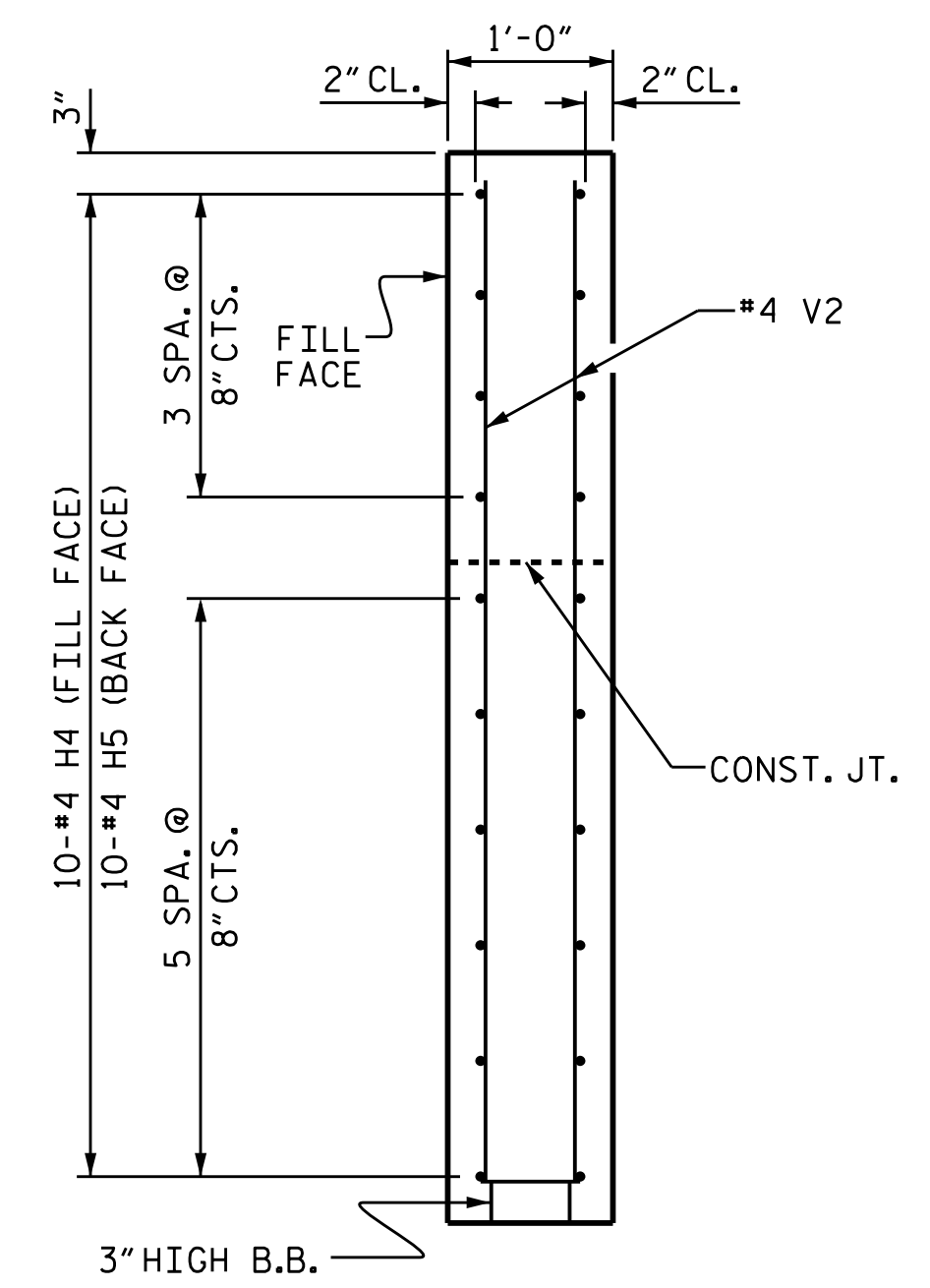
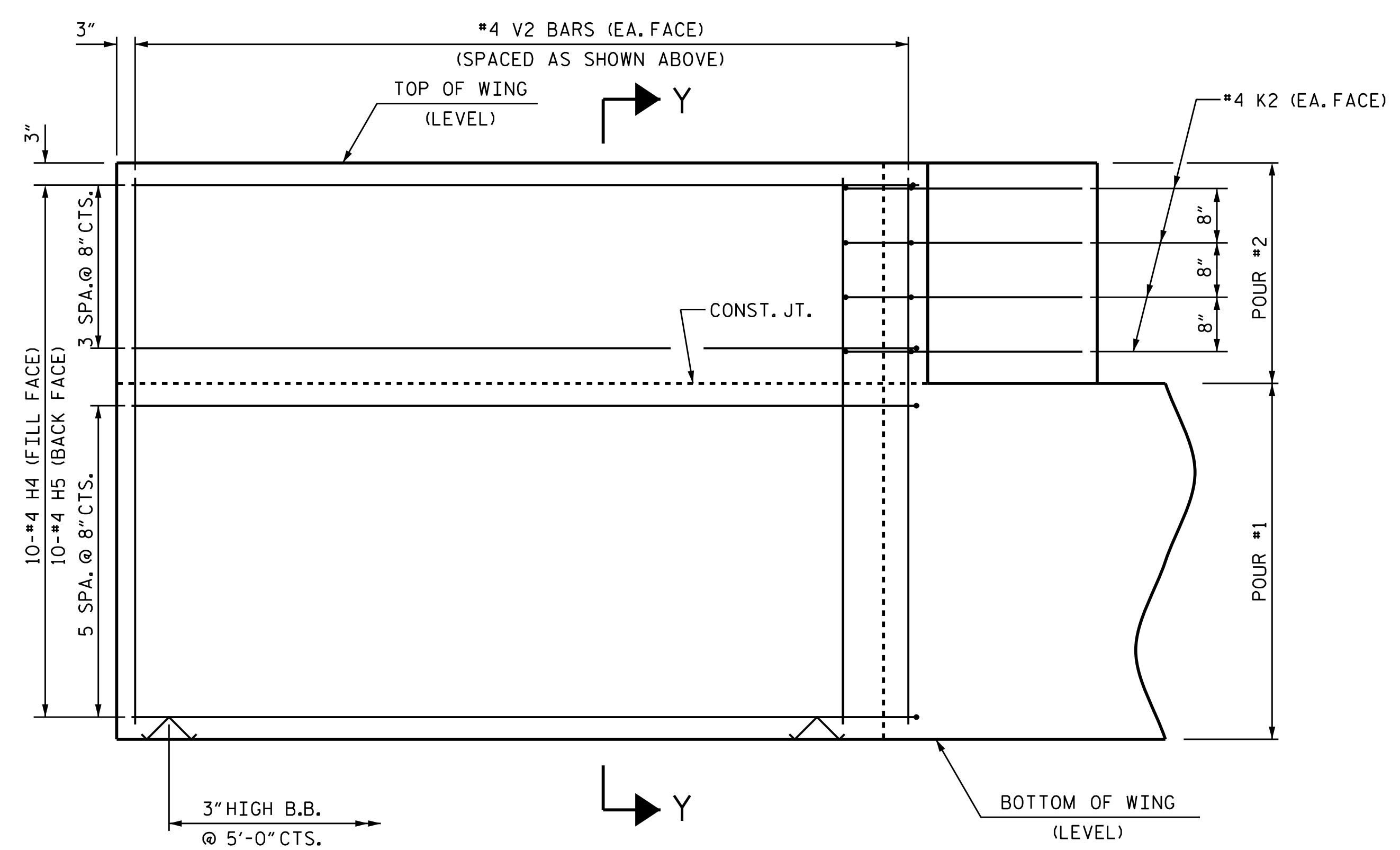


PLAN OF WING (W3)



SECTION Y-Y



ELEVATION OF WING (W3)

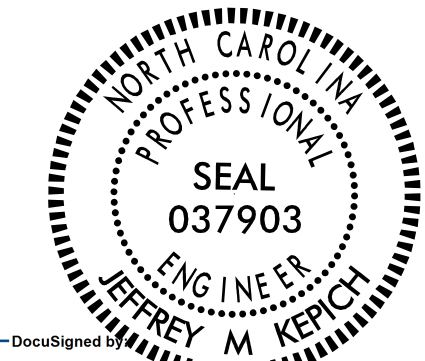
WING DETAILS

PROJECT NO. 17BP.11.R.153  
WILKES COUNTY  
 STATION: 15+23.00 -L-

SHEET 4 of 5

STATE OF NORTH CAROLINA  
 DEPARTMENT OF TRANSPORTATION  
 RALEIGH  
 SUBSTRUCTURE

**END BENT  
 WING DETAILS**



**ms consultants, inc.**  
 5444 Wade Park Blvd.  
 Suite 160  
 Raleigh, NC 27607  
 NC License Number : C-3239

REVISIONS						SHEET NO.
NO.	BY:	DATE:	NO.	BY:	DATE:	S-12
1			3			TOTAL SHEETS
2			4			16

\*\*\*\*\*  
 \*\*\*\*\*  
 \*\*\*\*\*  
 \*\*\*\*\*  
 \*\*\*\*\*

DRAWN BY :	J.M. KEPICH	DATE :	02/21
CHECKED BY :	L.M. SAMPLES	DATE :	05/21
DESIGN ENGINEER OF RECORD :	J.M. KEPICH	DATE :	05/21