

STATE OF NORTH CAROLINA
DEPT. OF TRANSPORTATION
DIVISION OF HIGHWAYS
RALEIGH, N.C.

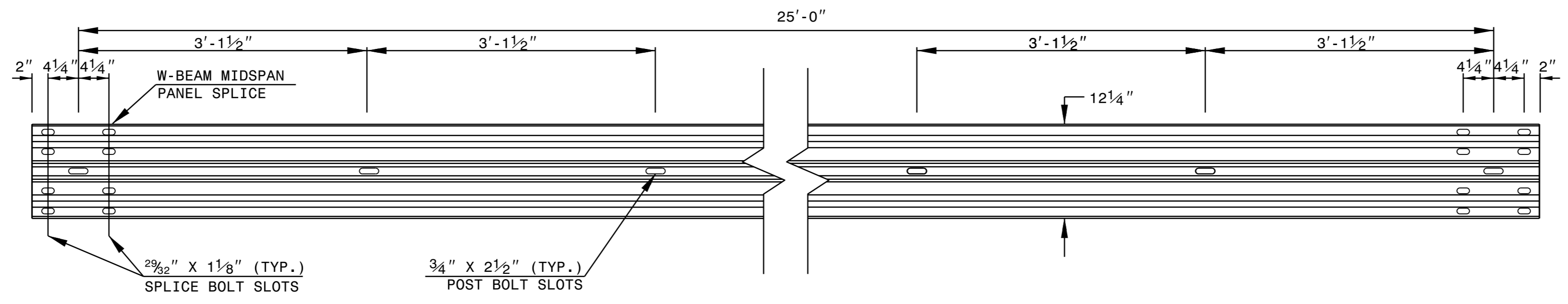
ROADWAY DETAIL DRAWING FOR
GUARDRAIL INSTALLATION

SHEET 6 OF 8
862D02

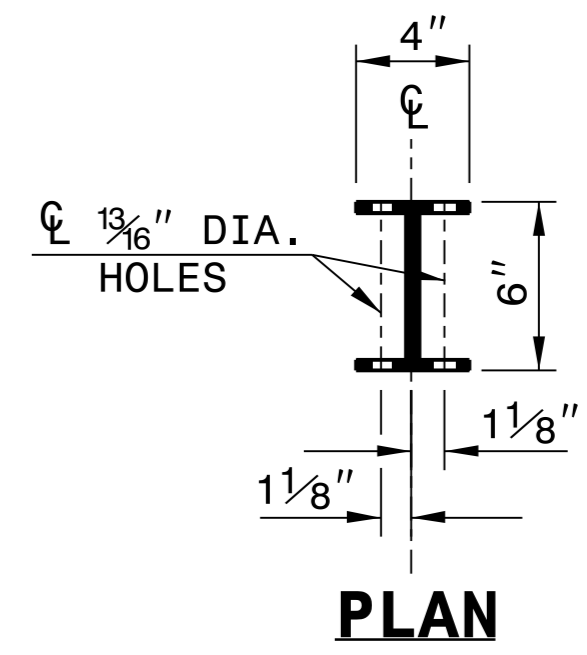
STATE OF NORTH CAROLINA
DEPT. OF TRANSPORTATION
DIVISION OF HIGHWAYS
RALEIGH, N.C.

ROADWAY DETAIL DRAWING FOR
GUARDRAIL INSTALLATION

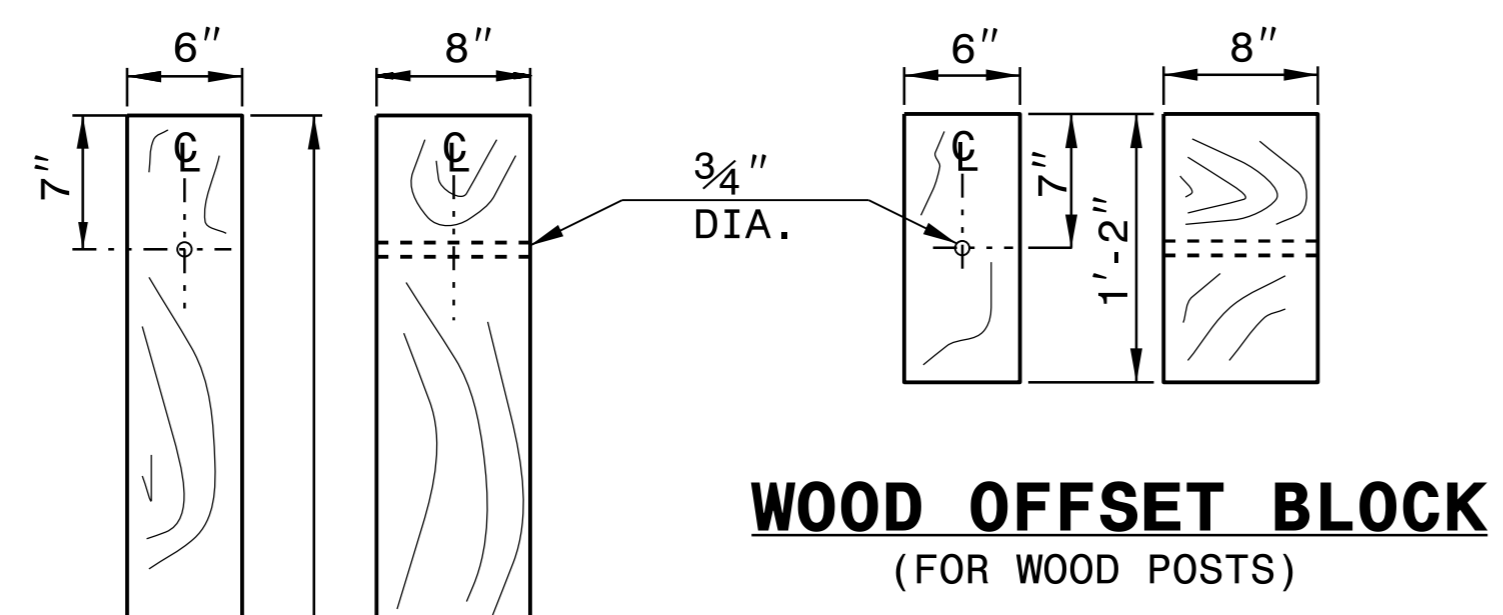
SHEET 6 OF 8
862D02



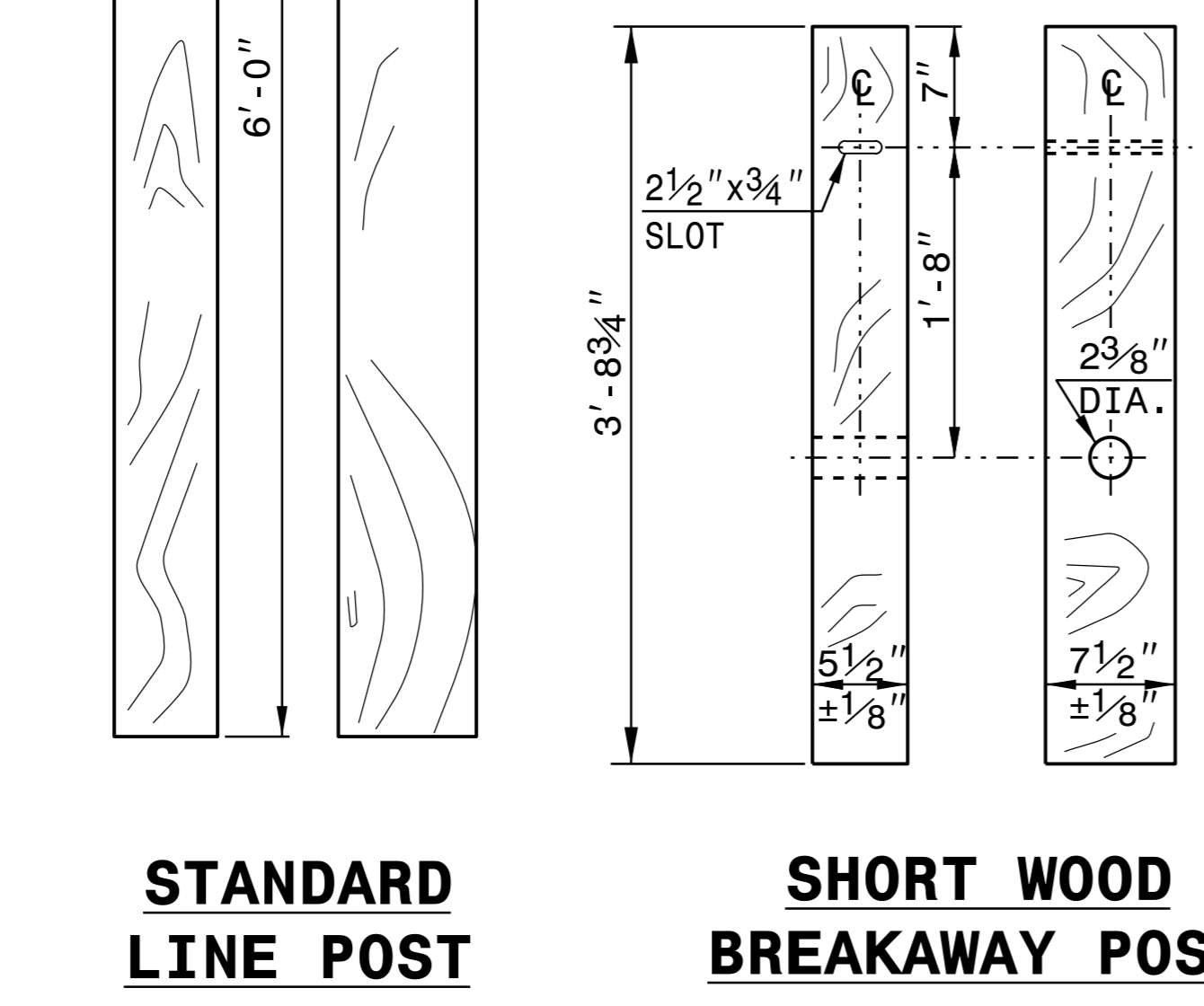
STANDARD W-BEAM GUARDRAIL



PLAN

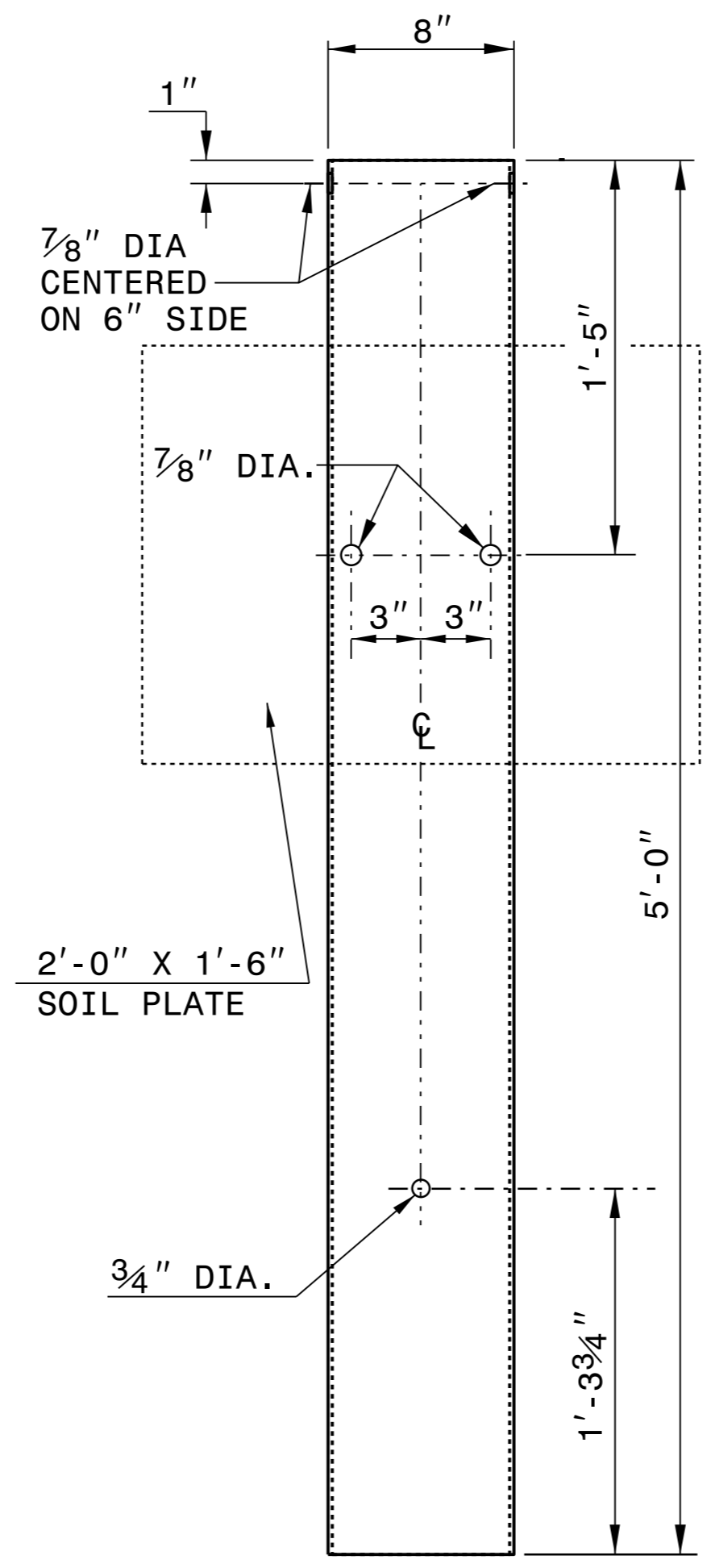


**WOOD OFFSET BLOCK
(FOR WOOD POSTS)**

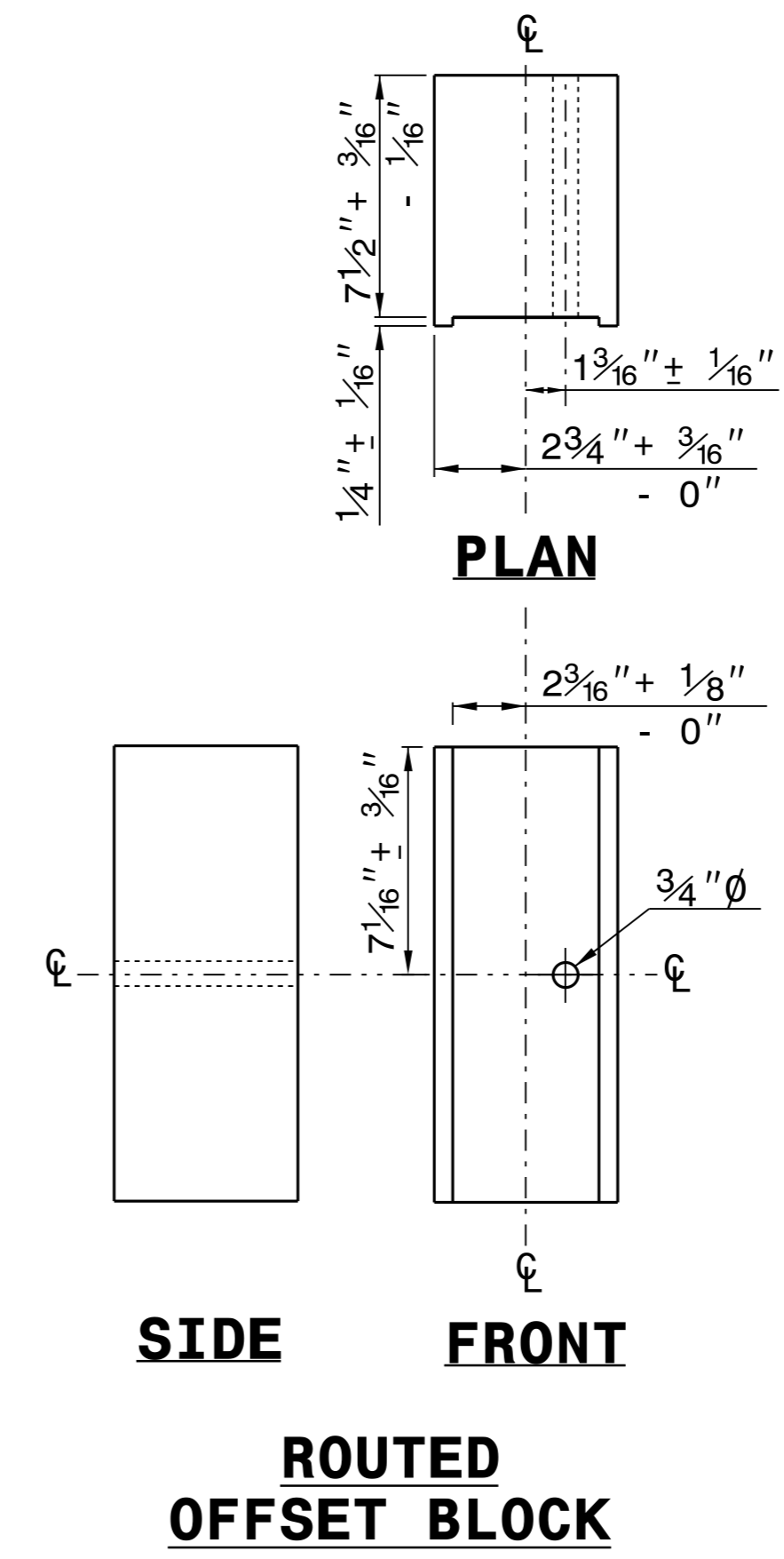


STANDARD LINE POST

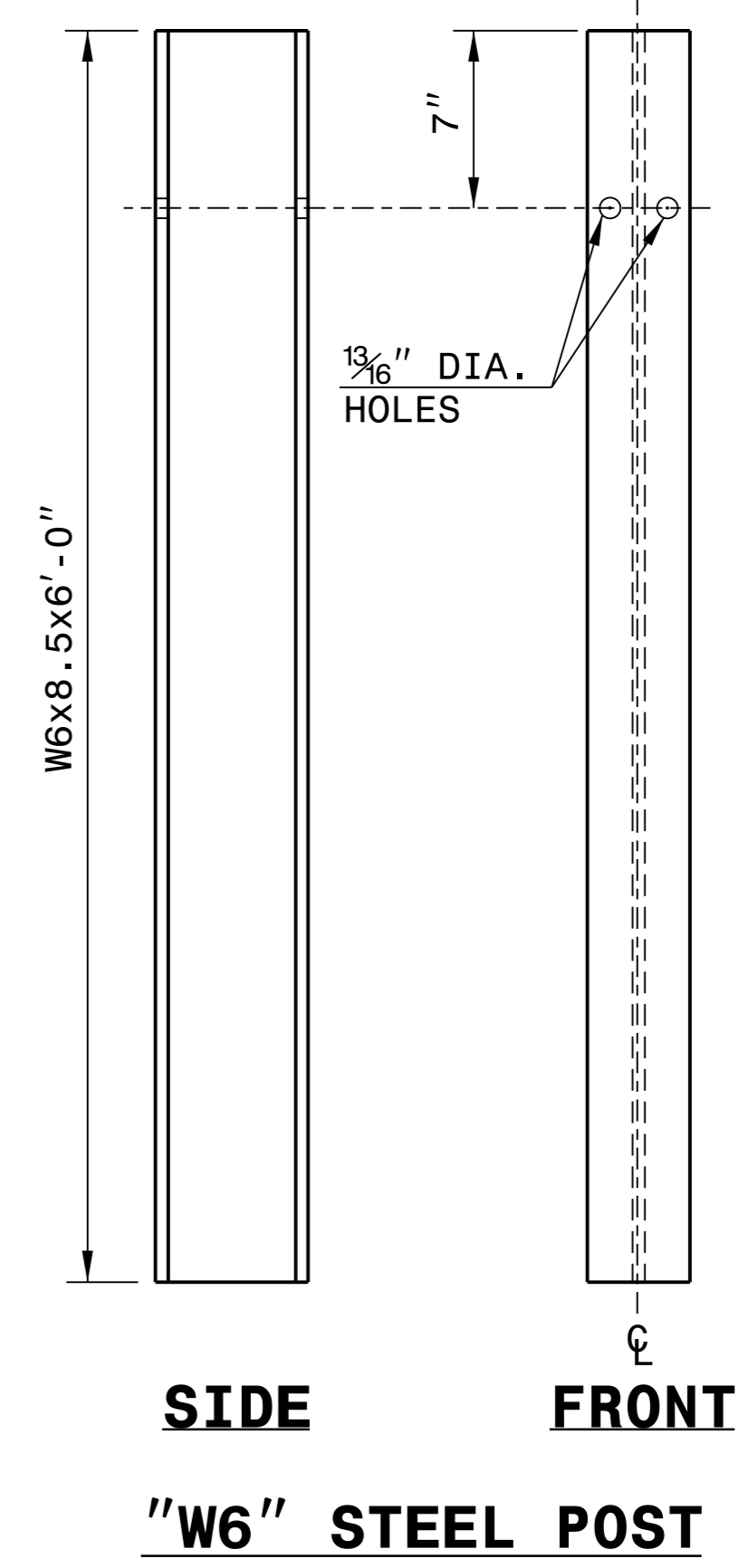
SHORT WOOD BREAKAWAY POST



**STEEL TUBE
TS 6"x8"x0.1875"**

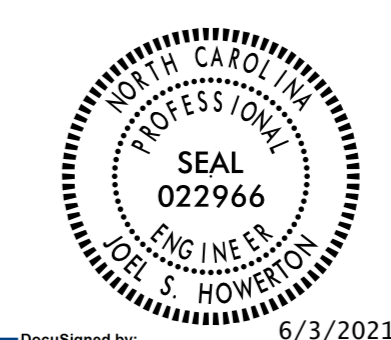


**ROUTED OFFSET BLOCK
SIDE FRONT**



**"W6" STEEL POST
SIDE FRONT**

SYSTEM PARTS



DocuSigned By:
J. Howerton
6/3/2021

CONTRACTS STANDARDS AND DEVELOPMENT UNIT
Office 919-707-6950 FAX 919-250-4119

SEE TITLE BLOCK

ORIGINAL BY: J. HOWERTON DATE: 3-7-2018
MODIFIED BY: DATE: _____
CHECKED BY: DATE: _____
FILE SPEC.: _____