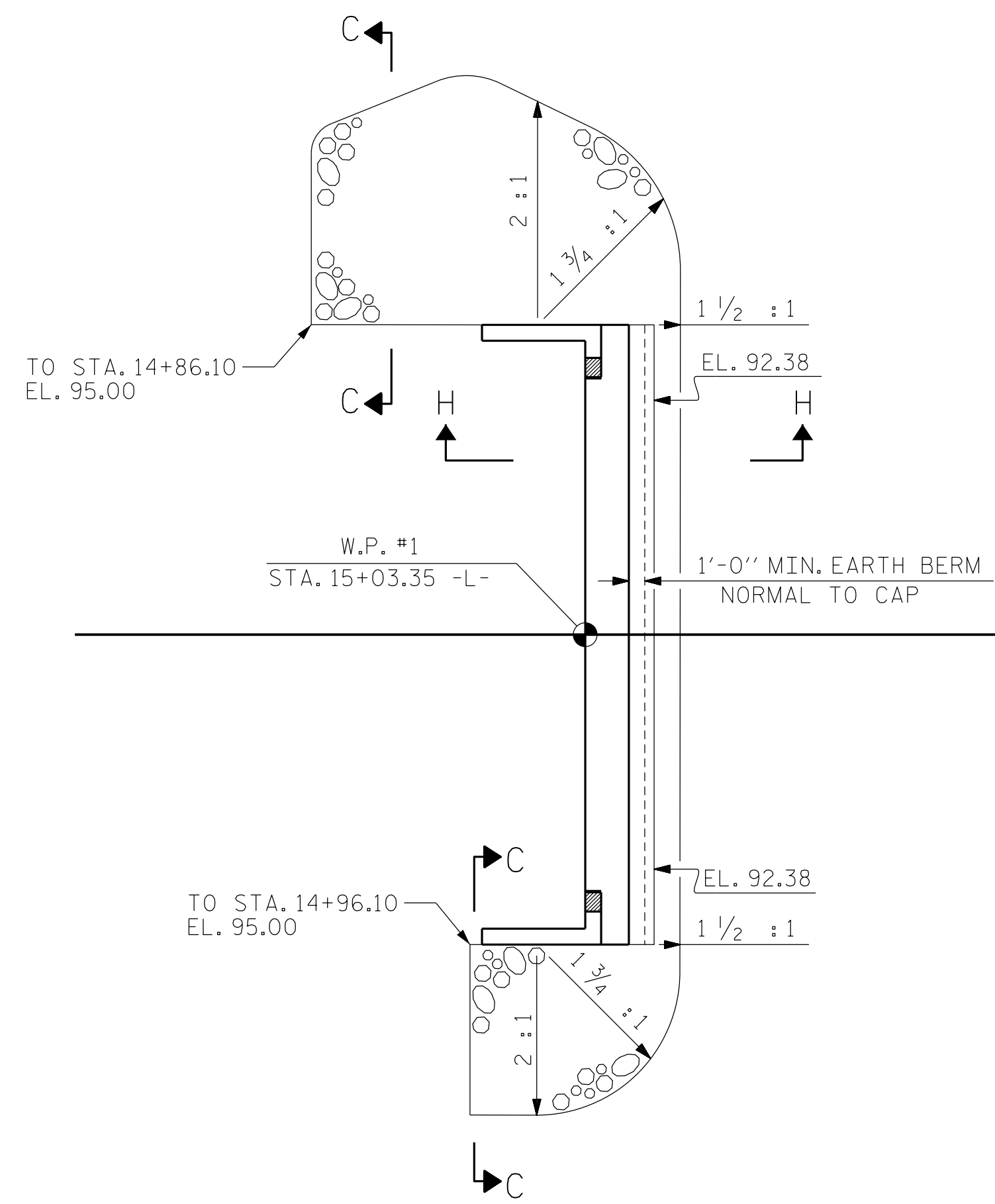
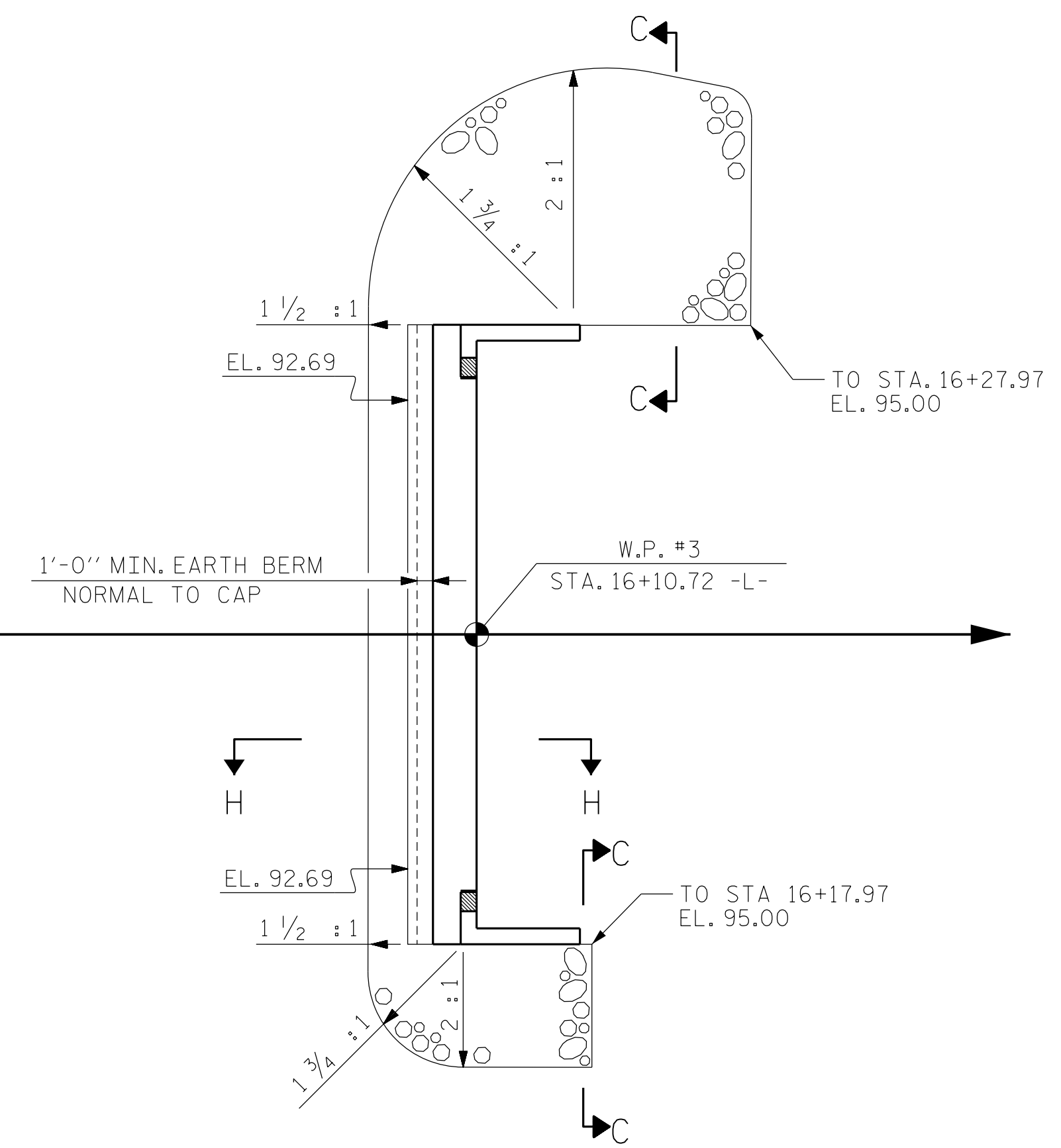


NOTES :
FOR BERM WIDTH DIMENSIONS, SEE GENERAL DRAWING.

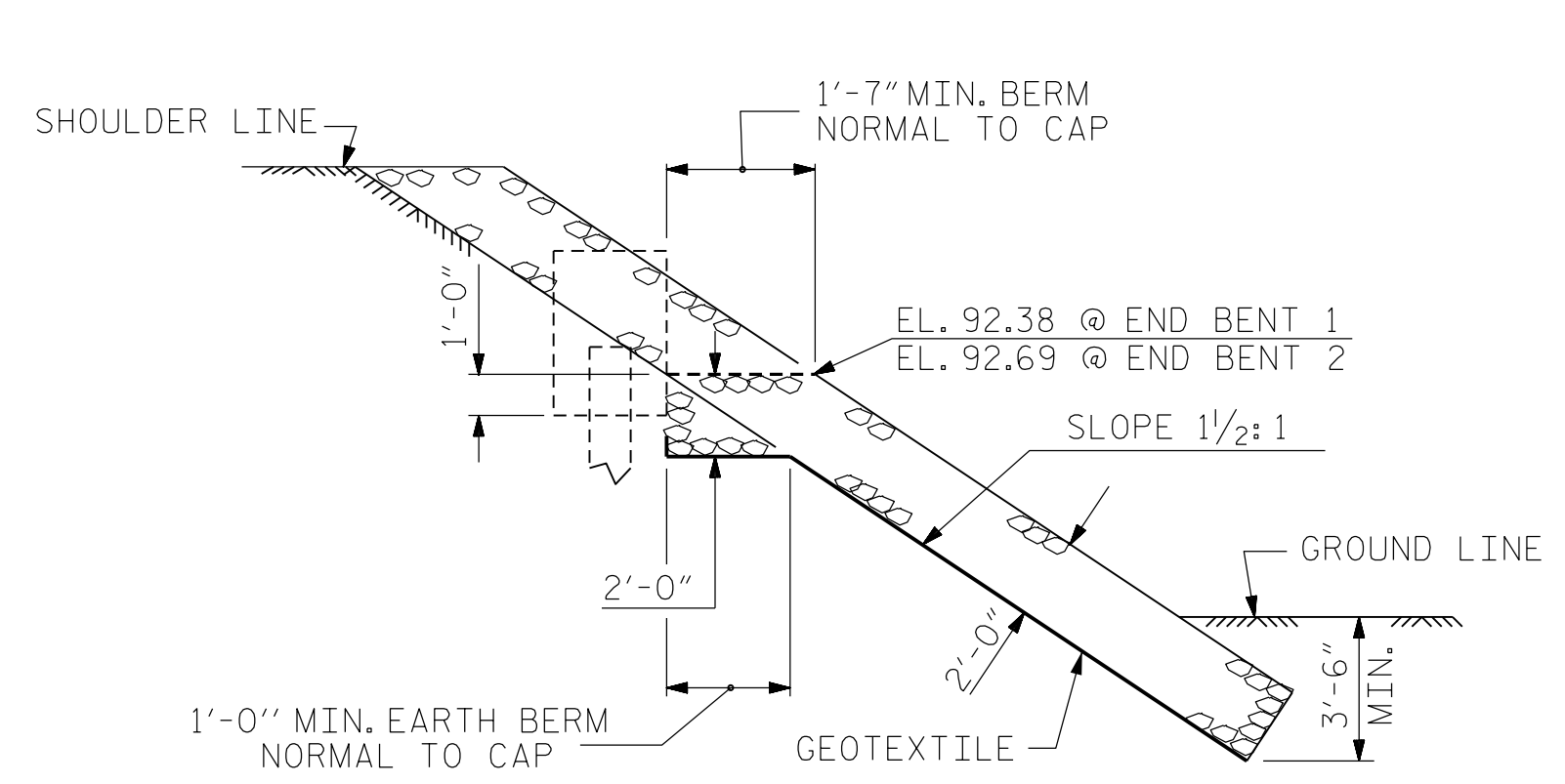


RIP RAP AT END BENT 1

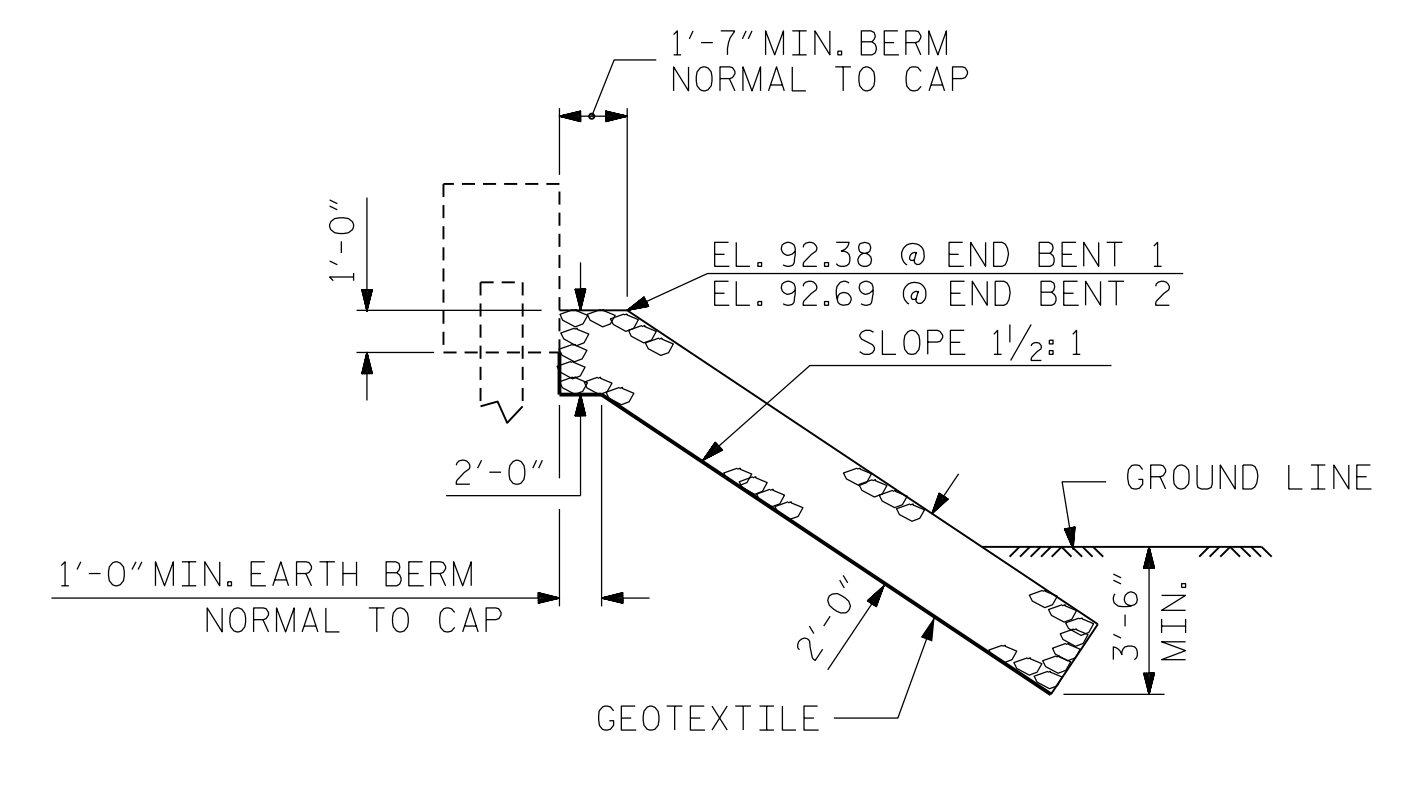


RIP RAP AT END BENT 2

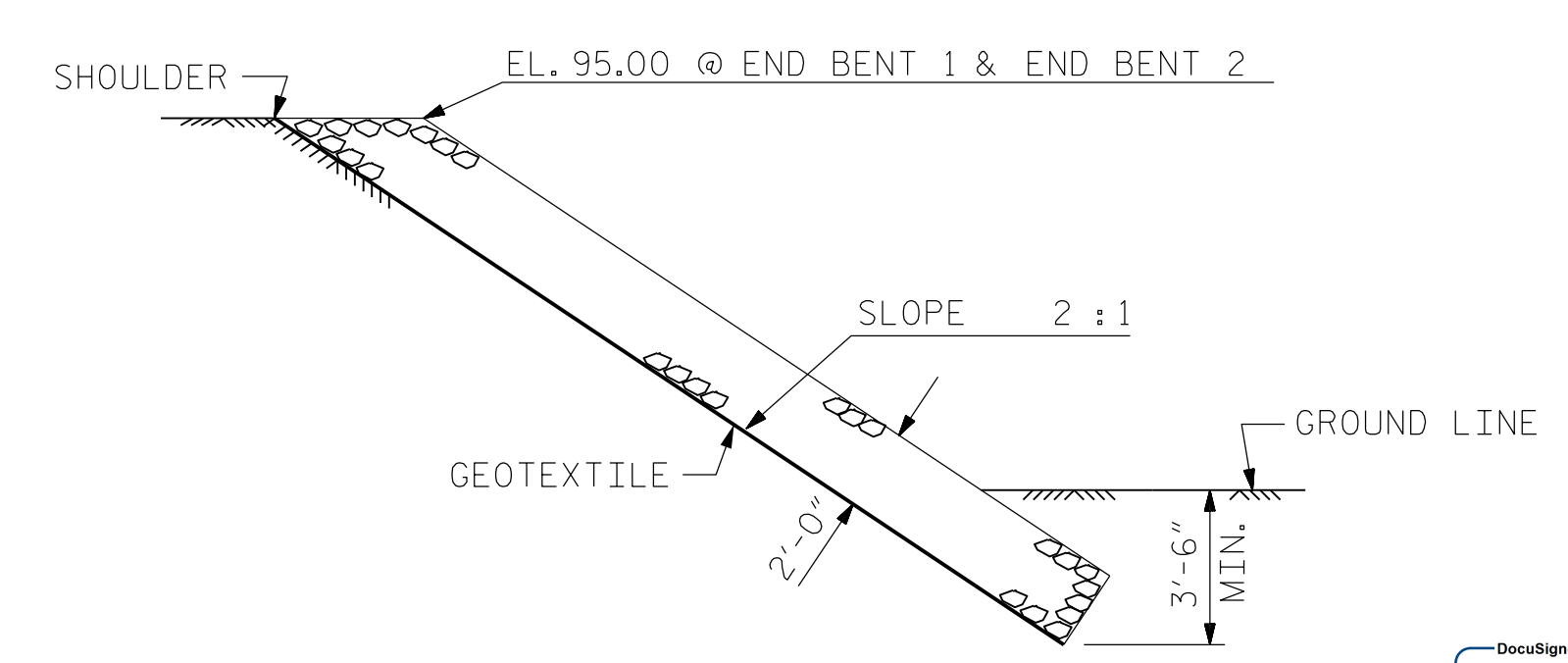
ESTIMATED QUANTITIES		
BRIDGE @ STA. 15+50.00 -L-	RIP RAP CLASS II (2'-0" THICK)	GEOTEXTILE FOR DRAINAGE
	TONS	SQUARE YARDS
END BENT 1	117	130
END BENT 2	123	137



SECTION H-H

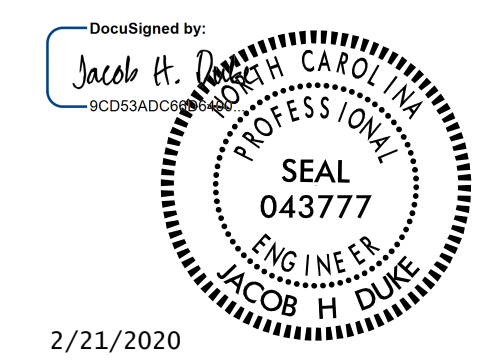


SECTION C-C
BERM RIP RAPPED



SECTION C-C

PROJECT NO. 17BP.1.R.90
NORTHAMPTON COUNTY
STATION: 15+50.00 -L-



STATE OF NORTH CAROLINA DEPARTMENT OF TRANSPORTATION RALEIGH					
STANDARD RIP RAP DETAILS					
REVISIONS					
NO.	BY:	DATE:	NO.	BY:	DATE:
1			3		
2			4		
SHEET NO. S-17					TOTAL SHEETS 18

DESIGN ENGINEER OF RECORD: JACOB H. DUKE DATE: 01/2020	
ASSEMBLED BY: DIEGO A. AGUIRRE DATE: 01/2020	
CHECKED BY: FIDEL L. FLORES DATE: 01/2020	
DRAWN BY: REK 1/84	REV. 10/1/11 MAA/GM
CHECKED BY: RDU 1/84	REV. 12/21/11 MAA/GM
	REV. 12/17 MAA/THC

DOCUMENT NOT CONSIDERED
FINAL UNLESS ALL
SIGNATURES COMPLETED