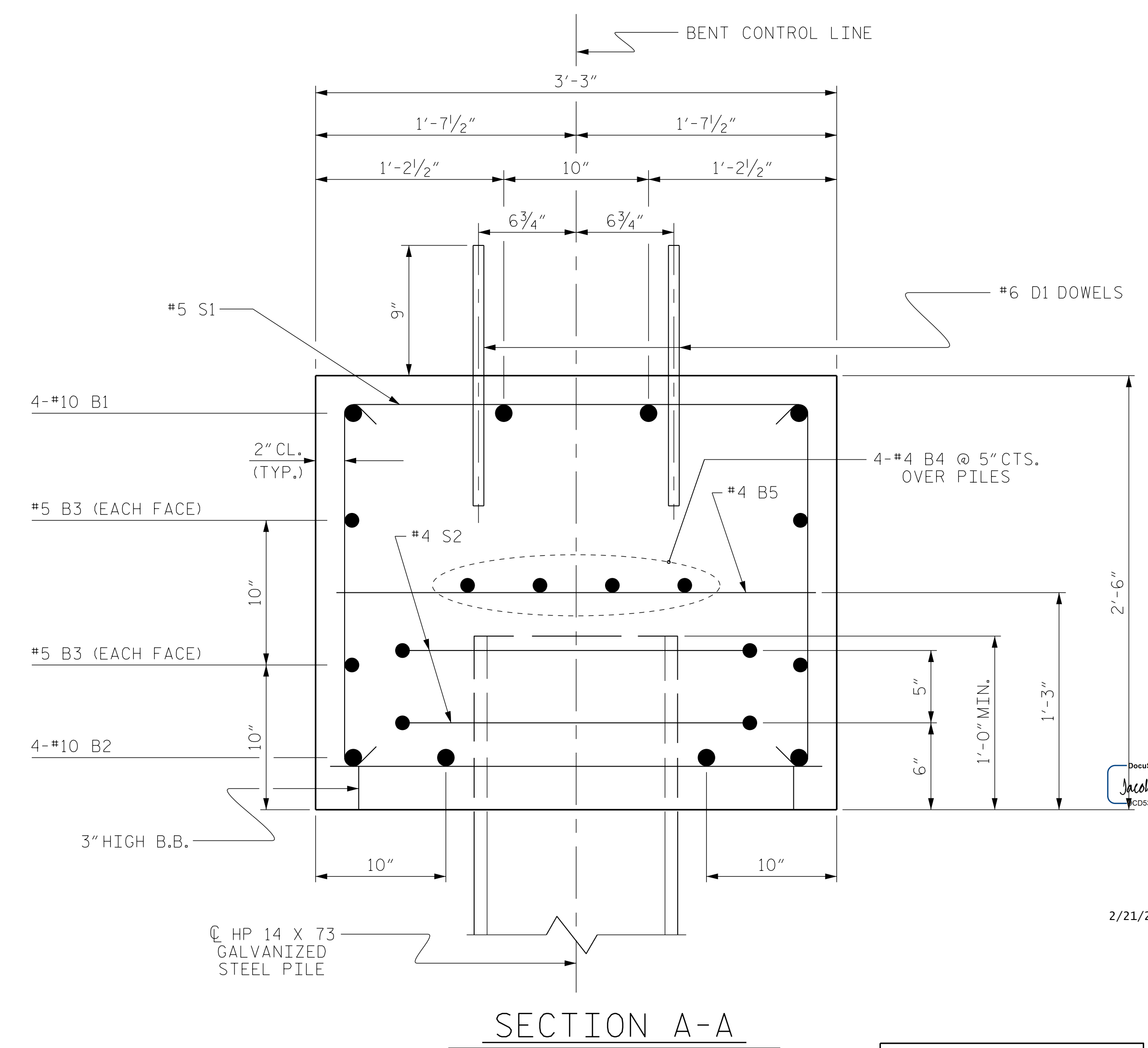
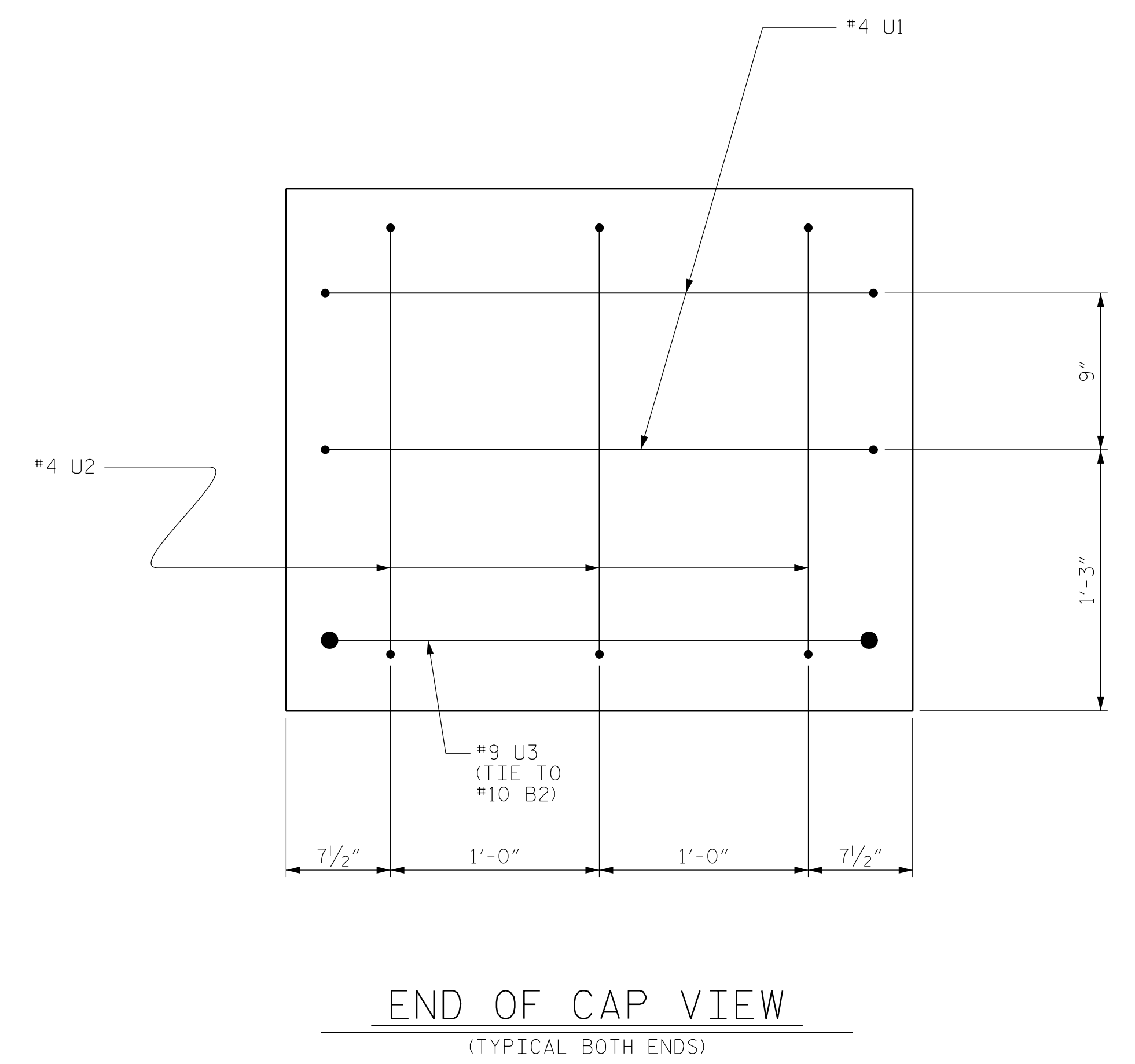


BILL OF MATERIAL FOR ONE BENT					
BAR	NO.	SIZE	TYPE	LENGTH	WEIGHT
B1	4	#10	1	37'-10"	651
B2	4	#10	STR	35'-2"	605
B3	4	#5	STR	35'-2"	147
B4	8	#4	STR	18'-10"	101
B5	9	#4	STR	2'-11"	18
D1	44	#6	STR	1'-6"	99
S1	39	#5	2	8'-1"	329
S2	16	#4	3	7'-7"	81
U1	4	#4	4	5'-10"	16
U2	6	#4	4	5'-0"	20
U3	2	#9	4	10'-1"	69
REINFORCING STEEL (FOR ONE BENT)					2136 LBS
CLASS A CONCRETE BREAKDOWN (FOR ONE BENT)					
TOTAL CLASS A CONCRETE					10.7 C.Y.
HP 14 X 73 GALVANIZED STEEL PILES (FOR ONE BENT)					
No. 8					LIN. FT. 720
PILE DRIVING EQUIPMENT SETUP FOR HP 14 X 73 GALVANIZED STEEL PILES (FOR ONE BENT)					NO: 8
PILE REDRIVES					NO: 4



DocuSigned by:
Jacob H. Duke
2/21/2020

KCA
KISINGER CAMPO & ASSOCIATES
301 FAYETTEVILLE ST., SUITE 1500
RALEIGH, NC 27601 (919) 882-7839
NC FIRM LICENSE: C-1506

PROJECT NO. 17BP.1.R.90
NORTHAMPTON COUNTY
STATION: 15+50.00 -L-

SHEET 2 OF 2

STATE OF NORTH CAROLINA
DEPARTMENT OF TRANSPORTATION
RALEIGH

SUBSTRUCTURE
BENT No. 1

REVISIONS						SHEET NO.
NO.	BY:	DATE:	NO.	BY:	DATE:	TOTAL SHEETS
1			3			S-16
2			4			18

DESIGN ENGINEER OF RECORD: JACOB H. DUKE DATE: 02/2020
ASSEMBLED BY: DIEGO A. AGUIRRE DATE: 02/2020
CHECKED BY: FIDEL L. FLORES DATE: 02/2020
DRAWN BY: DGE 05/10 REV. 6/17 MAA/THC
CHECKED BY: MKT 05/10

DOCUMENT NOT CONSIDERED FINAL UNLESS ALL SIGNATURES COMPLETED