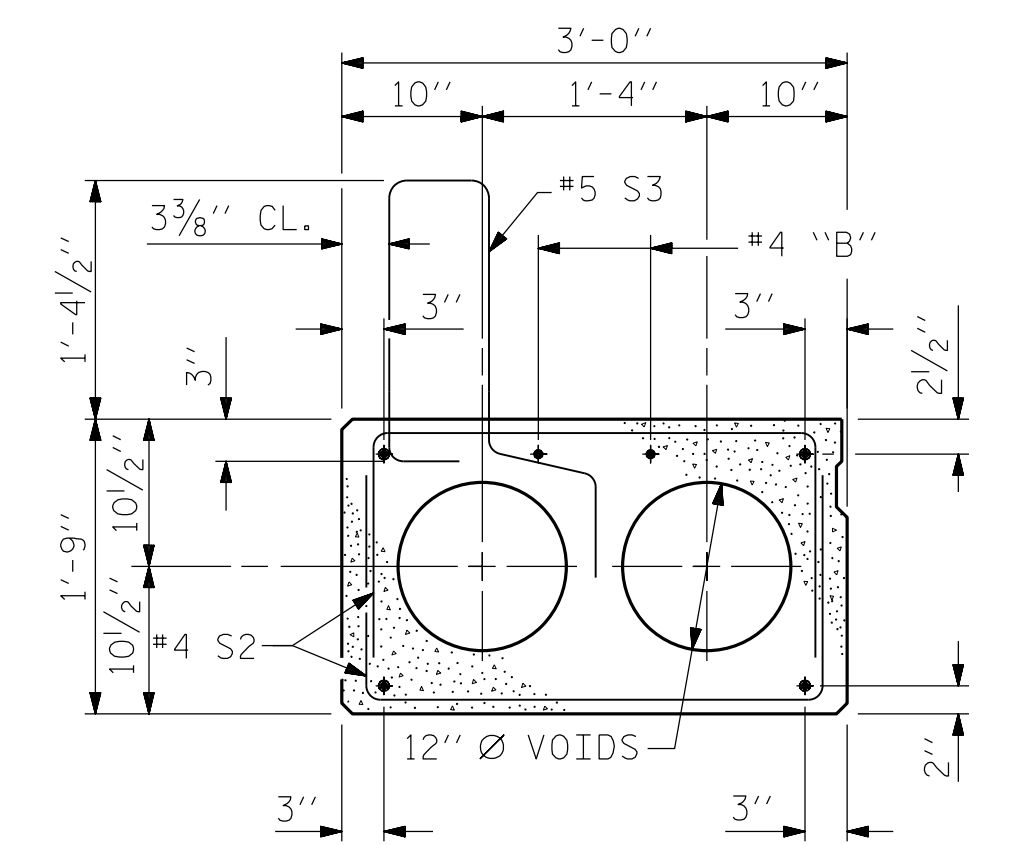
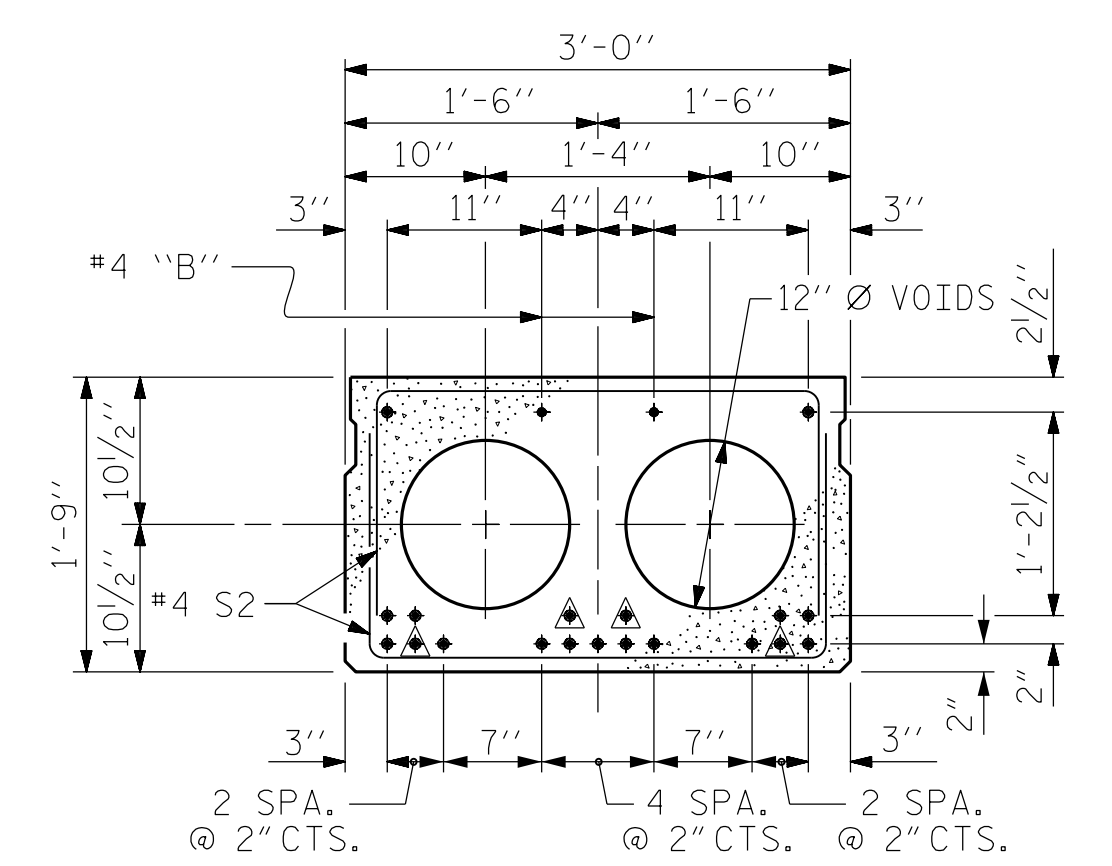


HALF SECTION AT INTERMEDIATE DIAPHRAGMS HALF SECTION THROUGH VOIDS
TYPICAL SECTION

* - THE MAXIMUM BARRIER RAIL HEIGHT AND ASPHALT THICKNESS IS SHOWN. THE HEIGHT OF THE BARRIER RAIL AND ASPHALT THICKNESS VARIES WHILE THE TOP OF THE BARRIER RAIL FOLLOWS THE PROFILE OF THE GUTTERLINE. FOR RAIL HEIGHT DETAILS AND ASPHALT THICKNESS SEE THE "VERTICAL CONCRETE BARRIER RAIL SECTION" DETAIL.



EXT. SLAB SECTION
 (FOR PRESTRESSED STRAND LAYOUT, SEE INTERIOR SLAB SECTION.)



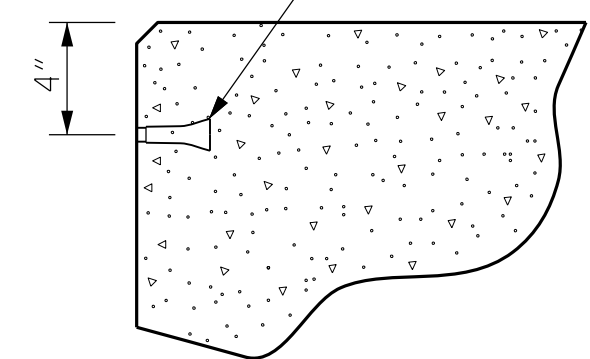
INTERIOR SLAB SECTION (50' & 55' UNIT)
 (19 STRANDS REQUIRED)

0.6" Ø LOW RELAXATION STRAND LAYOUT

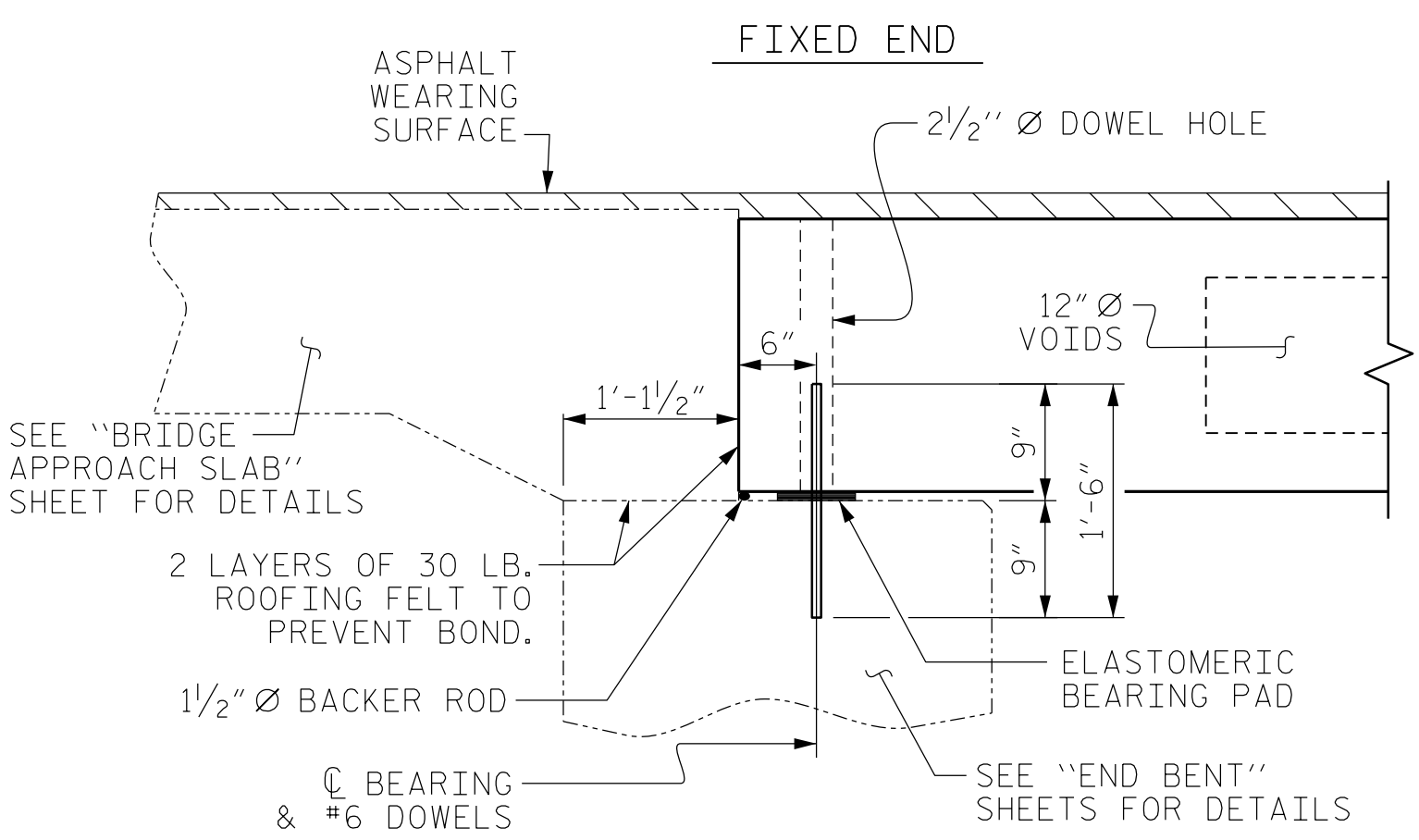
▲ BOND SHALL BE BROKEN ON THESE STRANDS FOR A DISTANCE OF 6'-0" FROM END OF CORED SLAB UNIT. SEE STANDARD SPECIFICATIONS, ARTICLE 1078-7.

DEBONDING LEGEND

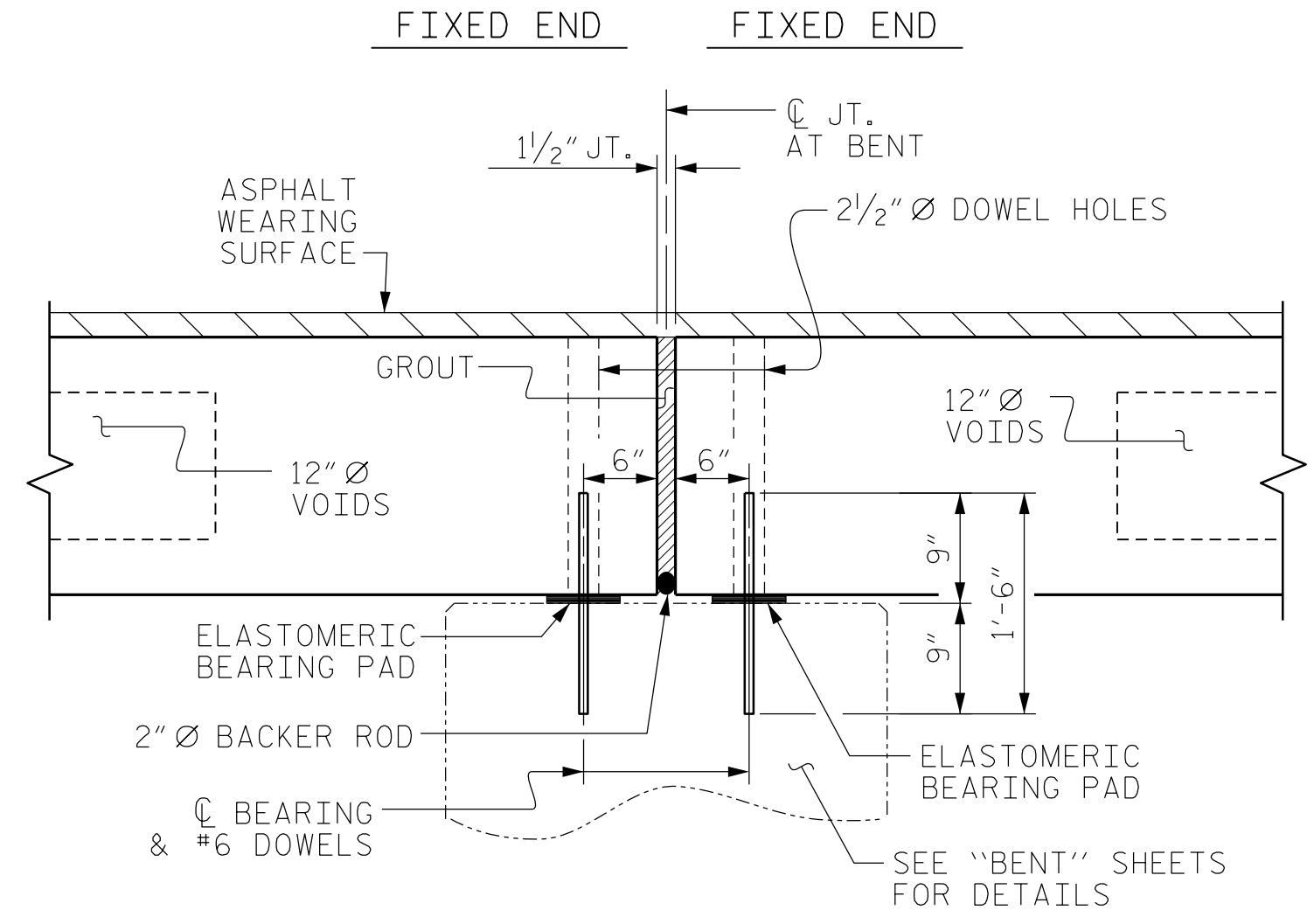
PERMITTED THREADED INSERT CAST IN OUTSIDE FACE OF EXTERIOR UNIT AND RECESSED 3/8" SIZE TO BE DETERMINED BY CONTRACTOR.



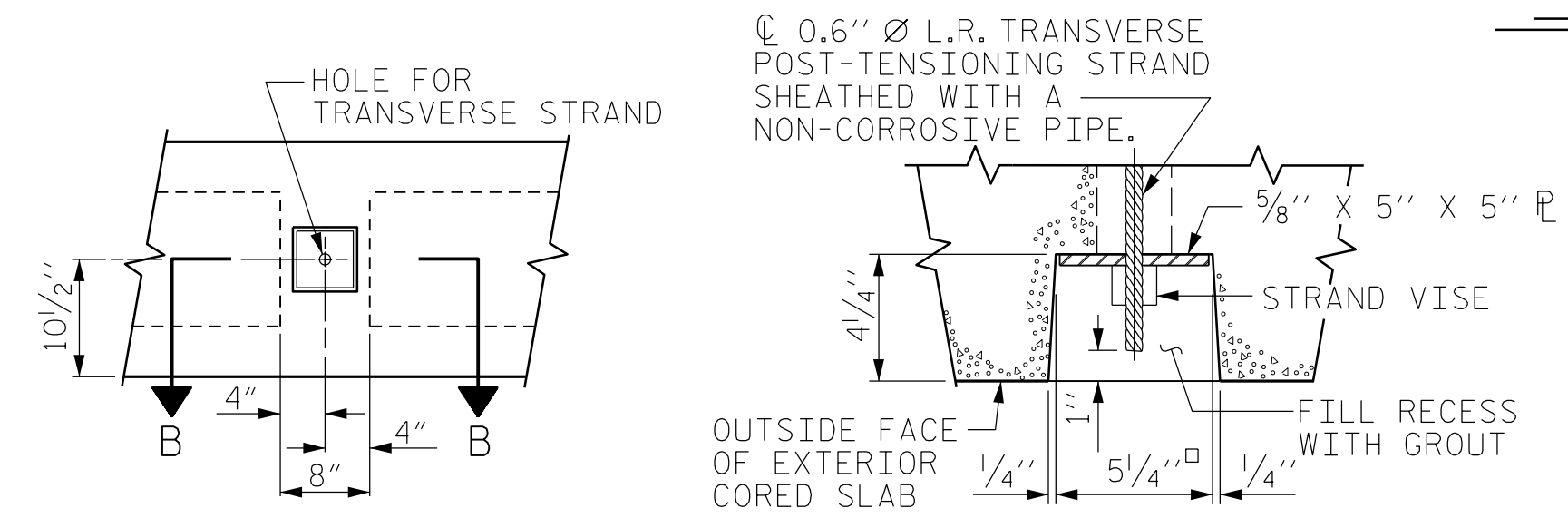
THREADED INSERT DETAIL



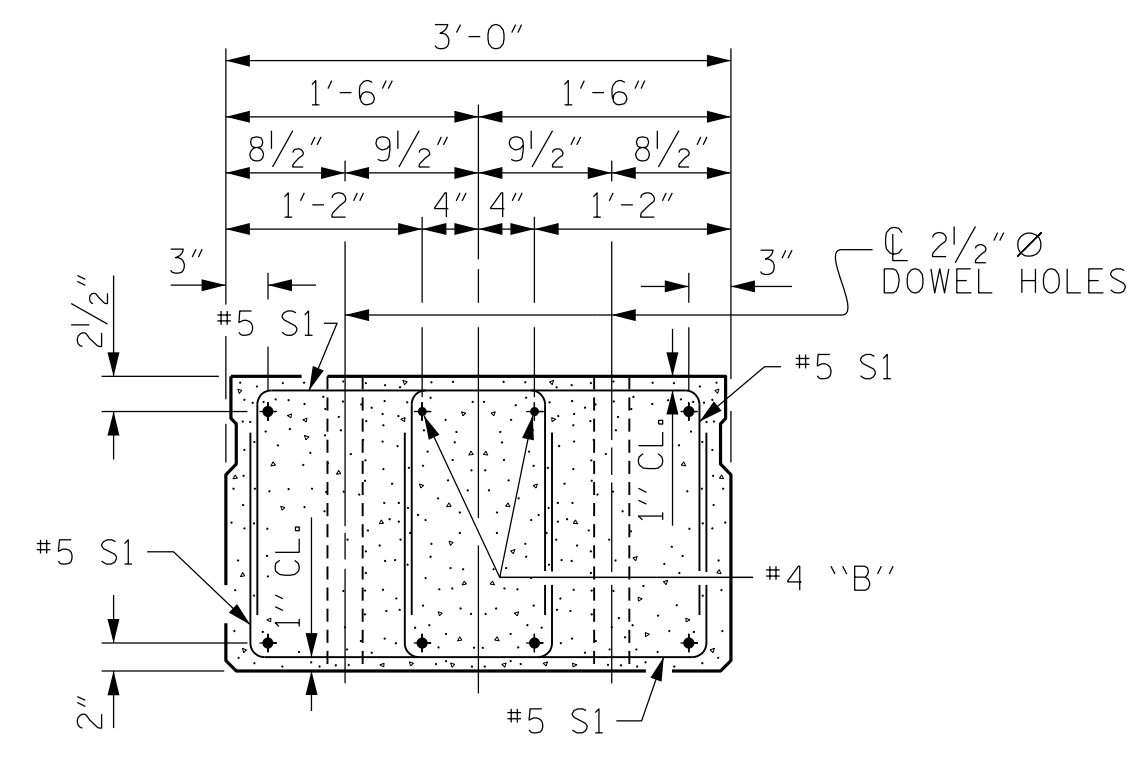
SECTION AT END BENT No. 1
 (SECTION AT END BENT No. 2 SIMILAR)



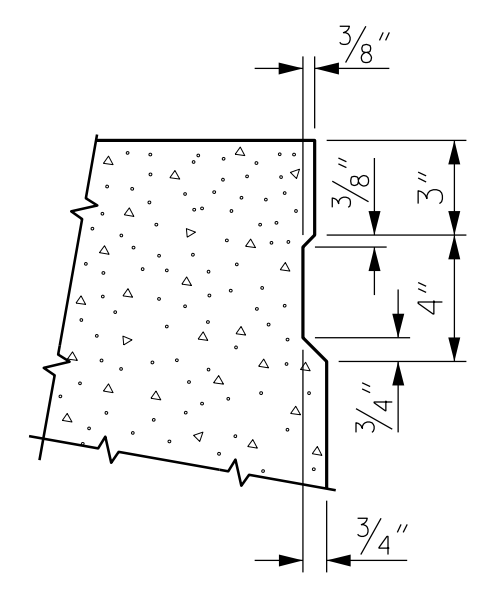
SECTION AT BENT No. 1



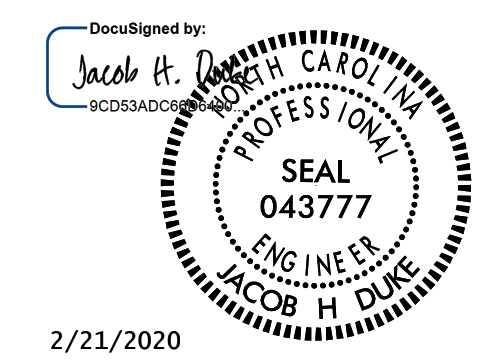
GROUTED RECESS AT END OF POST-TENSIONED STRAND OF CORED SLABS



END ELEVATION
 SHOWING PLACEMENT OF DOUBLE STIRRUPS AND LOCATION OF DOWEL HOLES. (STRAND LAYOUT NOT SHOWN.) INTERIOR SLAB UNIT SHOWN-EXTERIOR SLAB UNIT SIMILAR EXCEPT SHEAR KEY LOCATION.



SHEAR KEY DETAIL
 NOTE: OMIT SHEAR KEY ON OUTSIDE FACE OF EXTERIOR CORED SLABS.



PROJECT NO. 17BP.1.R.90
NORTHAMPTON COUNTY
 STATION: 15+50.00 -L-

SHEET 1 OF 5
 STATE OF NORTH CAROLINA
 DEPARTMENT OF TRANSPORTATION
 RALEIGH
 STANDARD
 3'-0" X 1'-9"
 PRESTRESSED CONCRETE
 CORED SLAB UNIT
 90° SKEW

DESIGN ENGINEER OF RECORD: JACOB H. DUKE DATE : 01/2020	
ASSEMBLED BY : FIDEL L. FLORES DATE : 01/2020	CHECKED BY : DIEGO A. AGUIRRE DATE : 01/2020
DRAWN BY : DGE 5/09	REV. 9/14 MAA/TMG
CHECKED BY : BCH 6/09	

2/19/2020
 17BP.1.R.90.SMU.CS01.650015.dgn
 jduke

DOCUMENT NOT CONSIDERED FINAL UNLESS ALL SIGNATURES COMPLETED

REVISIONS						SHEET NO.
NO.	BY:	DATE:	NO.	BY:	DATE:	S-5
1			3			TOTAL SHEETS
2			4			18

STD. NO. 21" PCS2-33-90S