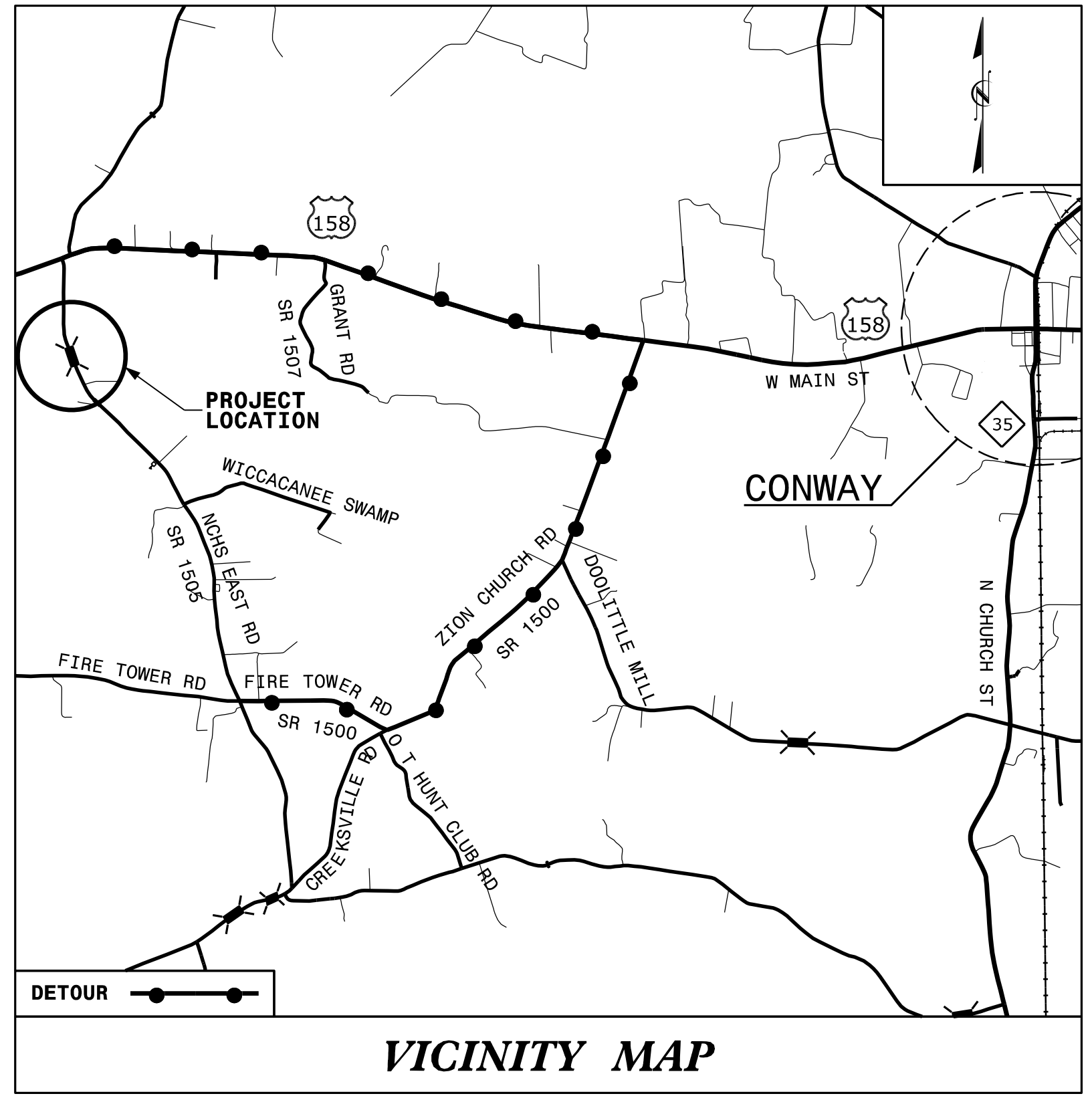


09/28/99

TIP PROJECT: 17BP.1.R.90

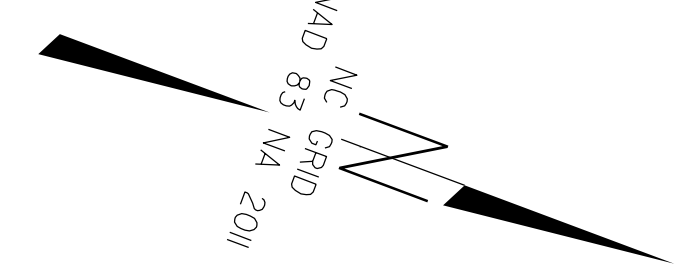
See Sheet 1A For Index of Sheets



STATE OF NORTH CAROLINA
 DIVISION OF HIGHWAYS
 NORTHAMPTON COUNTY
 PLAN FOR PROPOSED
 HIGHWAY EROSION CONTROL

**LOCATION: BRIDGE NO. 650015 ON SR 1505 (NCHS ROAD)
 OVER WILDCAT SWAMP**

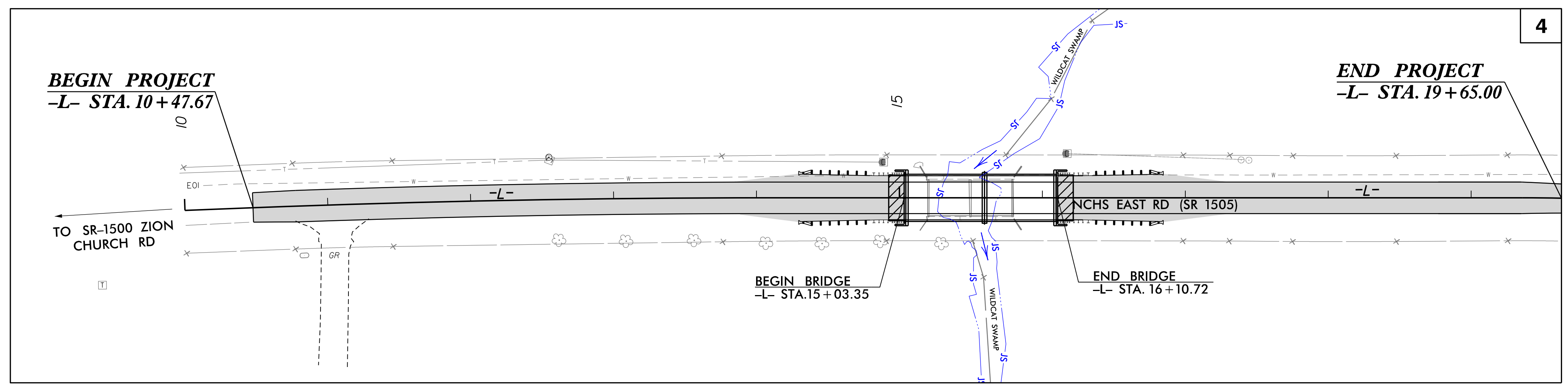
TYPE OF WORK: GRADING, DRAINAGE, PAVING AND STRUCTURE



STATE	STATE PROJECT REFERENCE NO.	SHEET NO.	TOTAL SHEETS
N.C.	17BP.1.R.90	EC-1	
STATE PROJ. NO.	F.A. PROJ. NO.	DESCRIPTION	
17BP.1.R.90		PE	
17BP.1.R.90		RW, UTILITIES	
17BP.1.R.90		CONSTRUCTION	

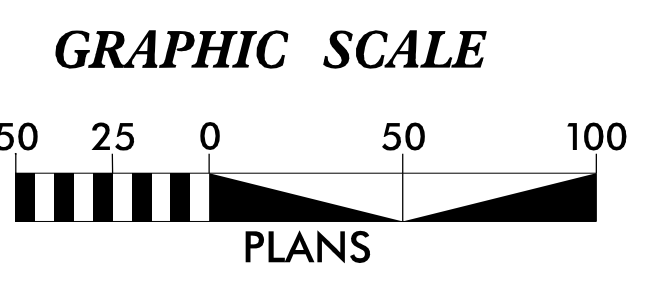
EROSION AND SEDIMENT CONTROL MEASURES

Std. #	Description	Symbol
1630.03	Temporary Silt Ditch	TD
1630.05	Temporary Diversion	TD
1605.01	Temporary Silt Fence	III III III
1606.01	Special Sediment Control Fence	△△△△△△△△
1622.01	Temporary Berms and Slope Drains	—
1630.02	Silt Basin Type B	▨
1633.01	Temporary Rock Silt Check Type-A	▨
	Temporary Rock Silt Check Type-A with Matting and Polyacrylamide (PAM)	▨
1633.02	Temporary Rock Silt Check Type-B	▨
	Wattle/Coir Fiber Wattle	—
	Wattle/Coir Fiber Wattle with Polyacrylamide (PAM)	—
1634.01	Temporary Rock Sediment Dam Type-A	▨
1634.02	Temporary Rock Sediment Dam Type-B	▨
1635.01	Rock Pipe Inlet Sediment Trap Type-A	⊂
1635.02	Rock Pipe Inlet Sediment Trap Type-B	⊂
1630.04	Stilling Basin	▭
1630.06	Special Stilling Basin	▭
	Rock Inlet Sediment Trap:	
1632.01	Type A	A
1632.02	Type B	B
1632.03	Type C	C
	Skimmer Basin	▭
	Tiered Skimmer Basin	▭
	Infiltration Basin	▭



CLEARING ON THIS PROJECT SHALL BE PERFORMED TO THE LIMITS ESTABLISHED BY METHOD II
 THIS PROJECT IS NOT LOCATED WITHIN MUNICIPAL BOUNDARIES.
 THIS IS NOT A CONTROL OF ACCESS PROJECT.

**THIS PROJECT CONTAINS
 EROSION CONTROL PLANS
 FOR CLEARING AND
 GRUBBING PHASE OF
 CONSTRUCTION.**



**THESE EROSION AND SEDIMENT CONTROL PLANS COMPLY WITH
 THE APPLICABLE REGULATIONS SET FORTH BY THE NCG-010000
 GENERAL CONSTRUCTION PERMIT EFFECTIVE APRIL 1, 2019
 AND ISSUED BY THE NORTH CAROLINA DEPARTMENT OF
 ENVIRONMENTAL QUALITY DIVISION OF WATER RESOURCES.**

Prepared In the Office of:



NC FIRM LICENSE No: C-1506
 301 Fayetteville St.,
 Suite 1500
 Raleigh, NC 27601
 (919) 882-7839

Designed by:

JOHN MCNULTY
 NAME

4263
 LEVEL III CERTIFICATION NO.

Roadway Standard Drawings

The following roadway english standards as appear in "Roadway Standard Drawings"- Roadway Design Unit - N. C. Department of Transportation - Raleigh, N. C., dated January 2018 and the latest revision thereto are applicable to this project and by reference hereby are considered a part of these plans.

1604.01 Railroad Erosion Control Detail	1632.01 Rock Inlet Sediment Trap Type A
1605.01 Temporary Silt Fence	1632.02 Rock Inlet Sediment Trap Type B
1606.01 Special Sediment Control Fence	1632.03 Rock Inlet Sediment Trap Type C
1607.01 Gravel Construction Entrance	1633.01 Temporary Rock Silt Check Type A
1622.01 Temporary Berms and Slope Drains	1633.02 Temporary Rock Silt Check Type B
1630.01 Riser Basin	1634.01 Temporary Rock Sediment Dam Type A
1630.02 Silt Basin Type B	1634.02 Temporary Rock Sediment Dam Type B
1630.03 Temporary Silt Ditch	1635.01 Rock Pipe Inlet Sediment Trap Type A
1630.04 Stilling Basin	1635.02 Rock Pipe Inlet Sediment Trap Type B
1630.05 Temporary Diversion	1640.01 Coir Fiber Baffle
1630.06 Special Stilling Basin	1645.01 Temporary Stream Crossing
1631.01 Matting Installation	

19-FEB-2020 12:14 G:\4201720\XX\SMU-Build Grant\1700-37-17BP.1.R.90-DI-Northampton 15\Hydraulics\CADD\Erosion Control\17BP1R90_EC.tsh.dgn nking AT KCA0173