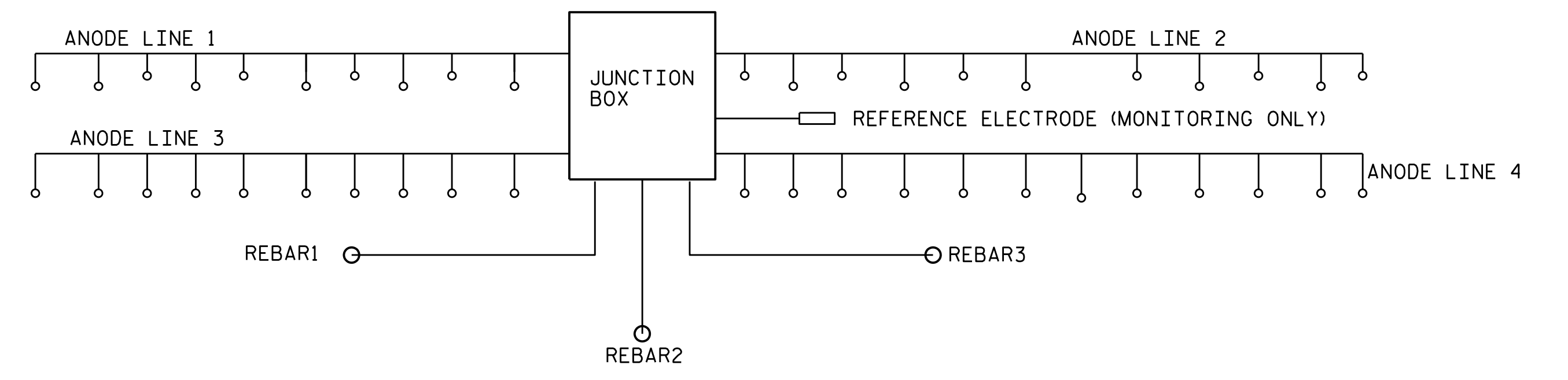
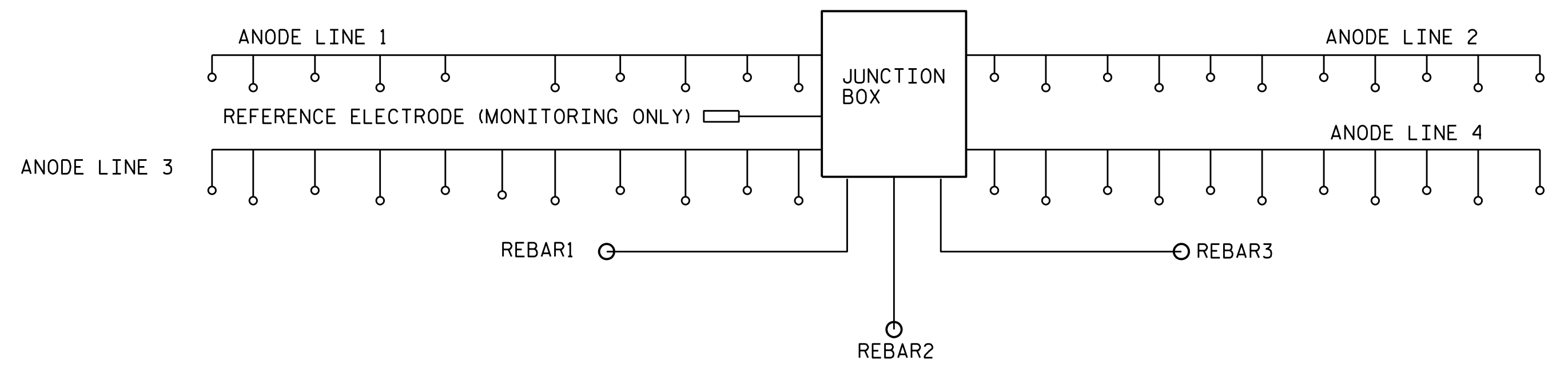


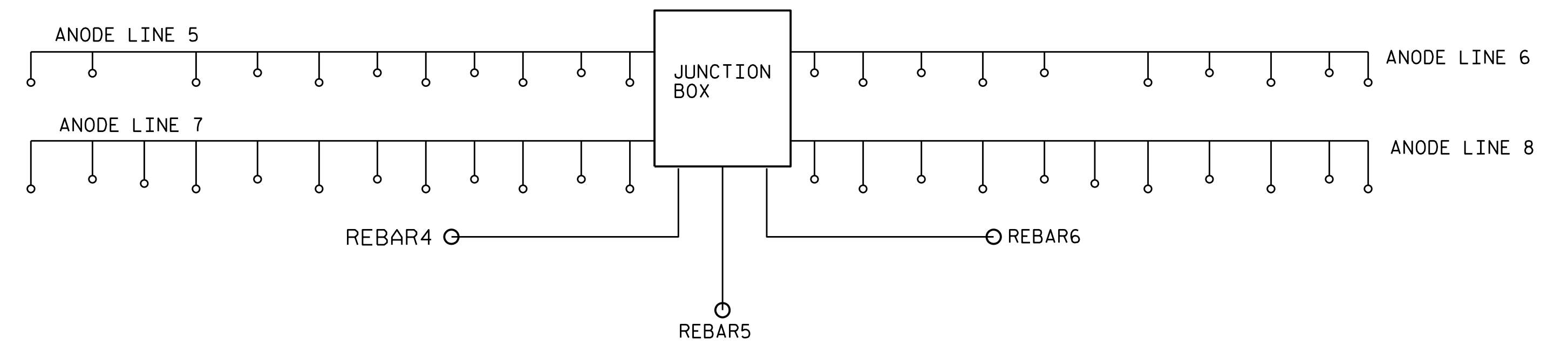
ANODE WIRING DIAGRAM END BENT 1 (JUNCTION BOX 1)



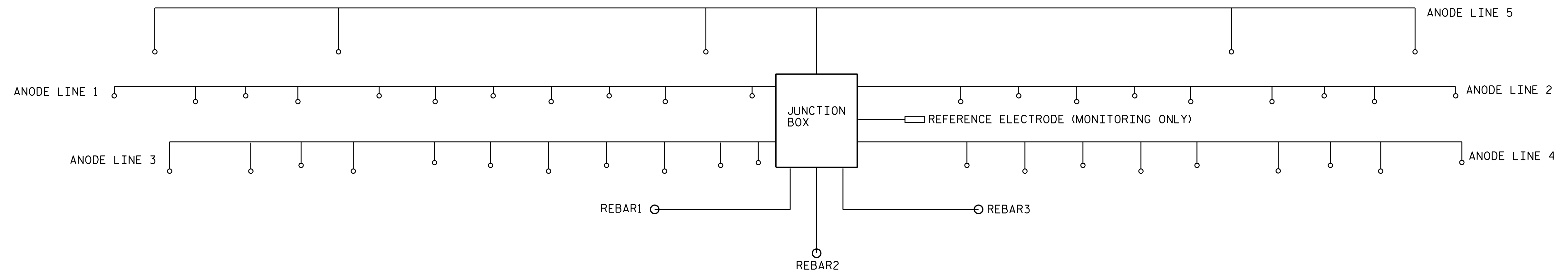
ANODE WIRING DIAGRAM END BENT 1 (JUNCTION BOX 2)



ANODE WIRING DIAGRAM END BENT 2 (JUNCTION BOX 1)

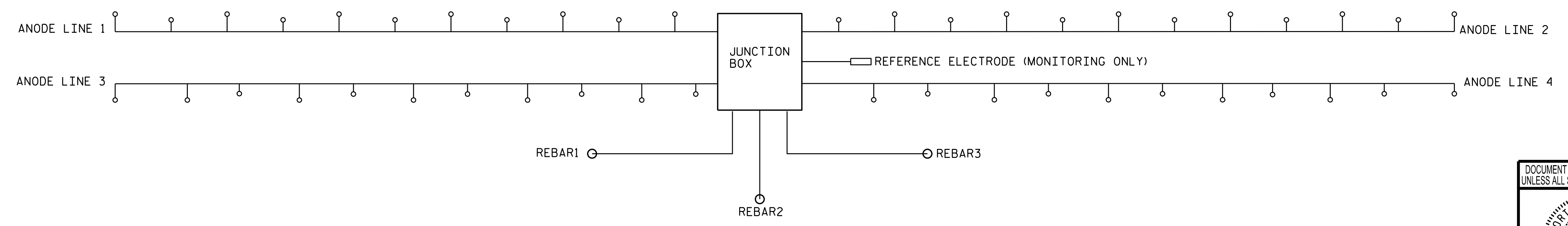


ANODE WIRING DIAGRAM END BENT 2 (JUNCTION BOX 2)



ANODE WIRING DIAGRAM BENTS 2,3,5,6,8,9,11,12 (EACH SIDE)

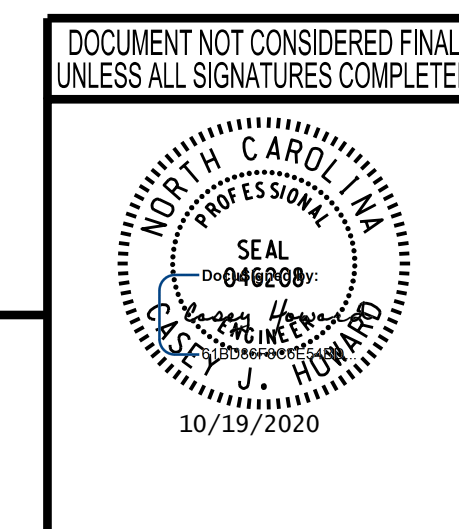
NOTE: ALL WIRES TO BE ROUTED THROUGH MAIN FEEDER SLOT TO JUNCTION BOX.



ANODE WIRING DIAGRAM BENTS 1,4,7,10,13 (EACH SIDE)

PROJECT NO. 15BPR.19
 NEW HANOVER COUNTY
 BRIDGE NO. 640021

STATE OF NORTH CAROLINA
 DEPARTMENT OF TRANSPORTATION
 RALEIGH
 SUBSTRUCTURE
 SINGLE LINE DIAGRAM
 DETAILS



REVISIONS						SHEET NO.
NO.	BY:	DATE:	NO.	BY:	DATE:	
1			3			S-52
2			4			TOTAL SHEETS 58

DRAWN: KE
CHECKED: SV
CHECKED: SM

Siva Corrosion Services, Inc.
 NDT • Corrosion • Materials
 www.SivaCorrosion.com
 1313 Wilmington Pike Suite 2B
 West Chester, PA 19380-19383
 (P) (610) 692-6551

wsp
 WSP USA Inc.
 434 FAYETTEVILLE STREET
 SUITE 1500
 RALEIGH, NC 27601
 TEL: 1.919.836.4040
 LICENSE NO. F-0165

10/18/2020 L:\Raleigh Office Projects\Structures\2018\188906-05 NCDOT - 640021 New Hanover Co.05 Plans\1.0 DGN\401.265.15BPR.19_SML_SUB06_S-52.dgn

CHECKED BY: C.J. HOWARD DATE: FEB 2018