

10/18/2020 L:\Raleigh Office Projects\Structures\2018\188906-05 NCDOT - 640021 New Hanover Co.05 Plans\1.0 DGN\401.215.15BPR.19\_SML.B10\_S-42.dgn

**NOTES**

REPAIR LOCATIONS AND ESTIMATE OF QUANTITIES ARE GIVEN WITH THE BEST INFORMATION AVAILABLE, IF ADDITIONAL REPAIRS NOT SHOWN ON THE DRAWINGS ARE DEEMED NECESSARY BY THE INSPECTOR OR ENGINEER THE CONTRACTOR SHALL NOTE ON THE DRAWINGS THE APPROXIMATE LOCATION AND DESCRIPTION OF THE REPAIRS AND ADJUST THE ACTUAL QUANTITIES ENTERED INTO THE REPAIR QUANTITY TABLE.

CONTRACTOR SHALL SAW CUT TO A MINIMUM OF 1/2" BUT REINFORCING STEEL SHALL NOT BE DAMAGED.

CONTRACTOR SHALL REMOVE SURFACE CONCRETE TO VERIFY THAT SAWCUT DEPTH WILL NOT DAMAGE EXISTING REINFORCING STEEL.

CONCRETE REPAIRS MAY BE USED IN LIEU OF SHOTCRETE REPAIRS, WITH THE APPROVAL OF THE ENGINEER.

FOR SHOTCRETE REPAIRS, SEE SPECIAL PROVISIONS.

FOR CONCRETE REPAIRS, SEE SPECIAL PROVISIONS.

FOR CAP AND PILE REPAIR DETAILS, SEE "TYPICAL CAP AND PILE REPAIR DETAILS" SHEET S-56.

VALUES IN CHART REPRESENT ESTIMATED REPAIR TOTALS AFTER REMOVAL OF UNSOUND CONCRETE, MIN. OF 1" BEHIND REBAR AND MIN. 2" CLEAR TO SAWCUT, SEE REPAIR DETAILS.

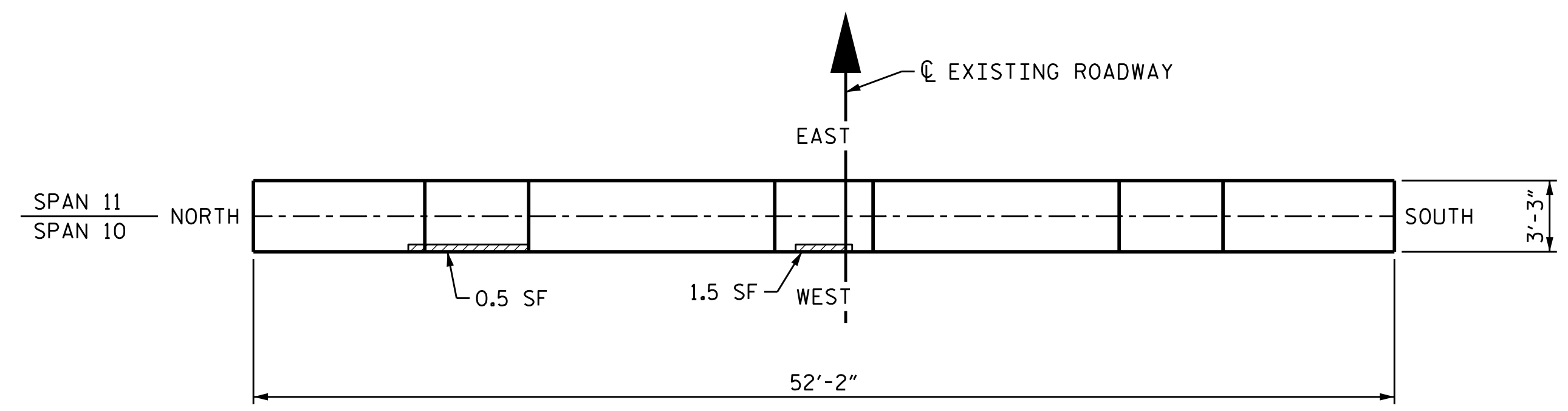
FOR EPOXY COATING, SEE SPECIAL PROVISIONS.

FOR GALVANIC CATHODIC PROTECTION INTEGRAL PILE JACKET, SEE SPECIAL PROVISIONS.

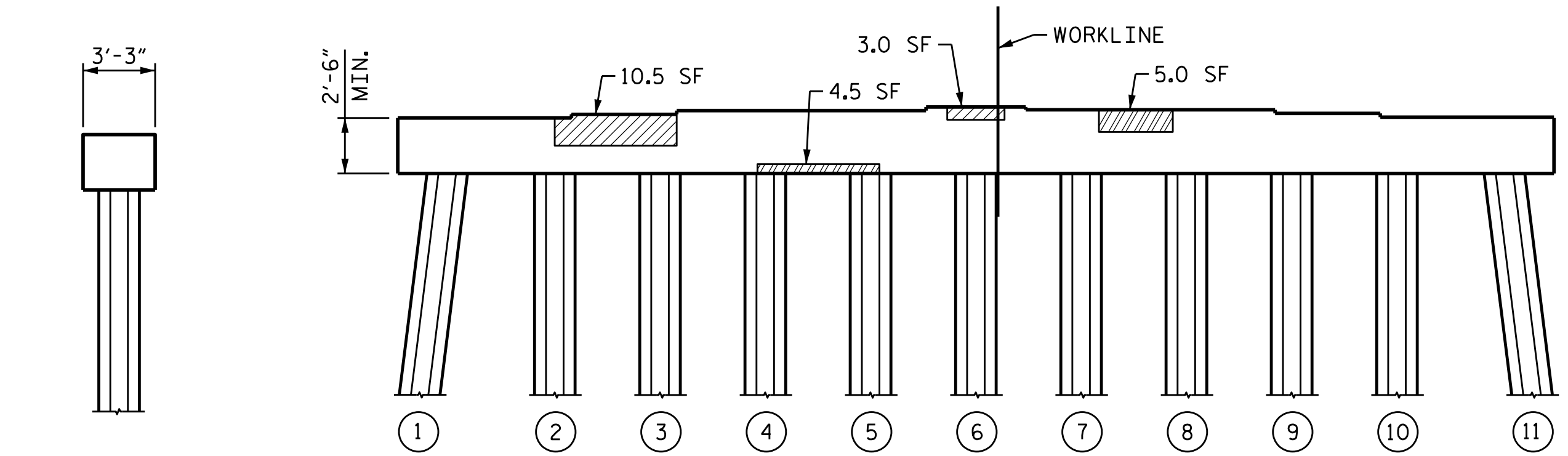
FOR BRIDGE JACKING, SEE SPECIAL PROVISIONS.

**REPAIR QUANTITY TABLE**

BENT 10	QUANTITIES			
	ESTIMATE		ACTUAL	
SHOTCRETE REPAIRS	AREA SF	VOLUME CF	AREA SF	VOLUME CF
CAP (VERTICAL FACE)	9.5	3.0		
CAP (HORIZONTAL FACE)				
22" OCT. PREST. CONC. PILES				
CONCRETE REPAIRS	25.0	7.5		
EPOXY COATING	AREA SF		AREA SF	
TOP OF CAP	170.0			
PILE JACKET	LENGTH LN. FT.		LENGTH LN. FT.	
PILE NUMBERS :	8	16.75		



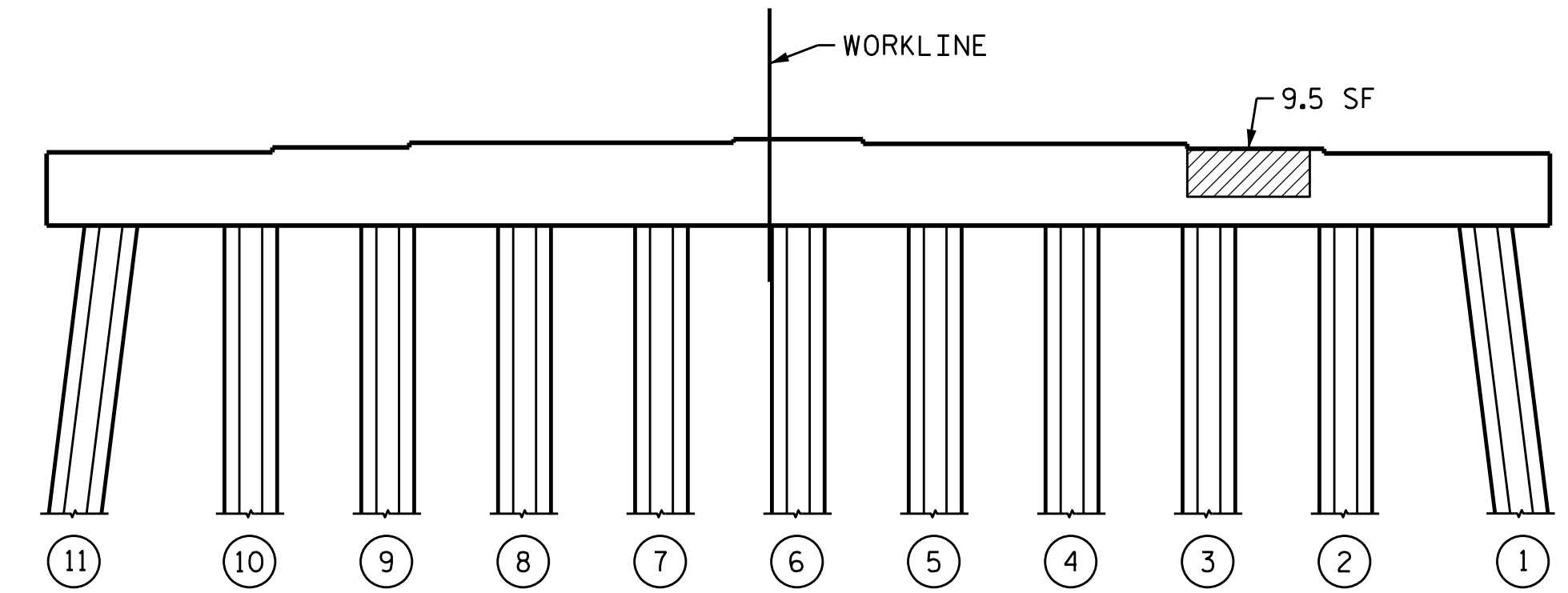
**PLAN**  
TOP OF CAP  
PILES OMITTED FOR CLARITY



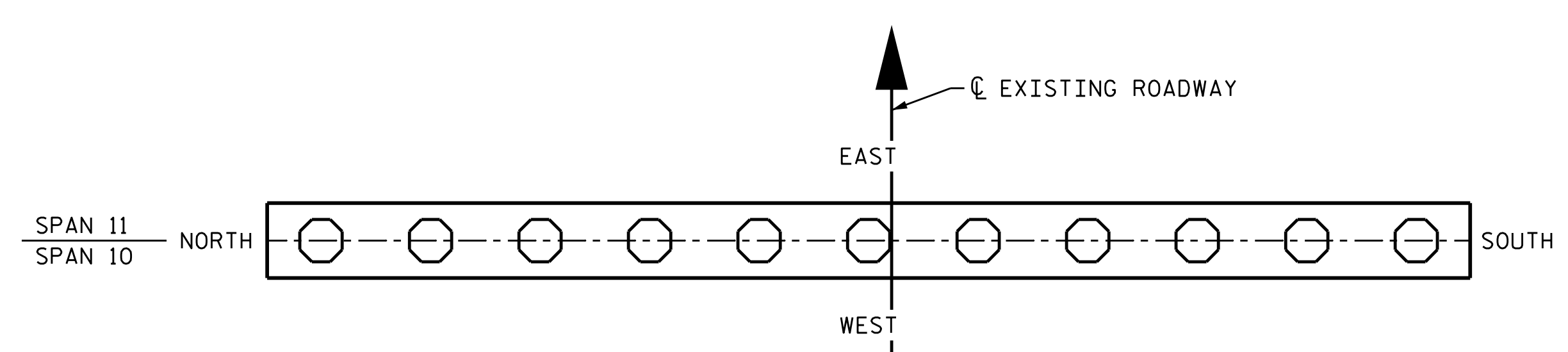
**END VIEW**  
NORTH SIDE

**ELEVATION**  
WEST SIDE

**END VIEW**  
SOUTH SIDE



**ELEVATION**  
EAST SIDE



**PLAN**  
BOTTOM OF CAP

**NOTES**

- SHOTCRETE REPAIR
- CONCRETE REPAIR

PROJECT NO. 15BPR.19  
NEW HANOVER COUNTY  
 BRIDGE NO. 640021

SHEET 11 OF 15

STATE OF NORTH CAROLINA  
 DEPARTMENT OF TRANSPORTATION  
 RALEIGH

SUBSTRUCTURE  
 BENT 10  
 REPAIRS

DOCUMENT NOT CONSIDERED FINAL  
 UNLESS ALL SIGNATURES COMPLETED

WSP USA Inc.  
 434 FAYETTEVILLE STREET  
 SUITE 1500  
 RALEIGH, NC 27601  
 TEL: 1.919.836.4040  
 LICENSE NO. F-0165

REVISIONS						SHEET NO.
NO.	BY:	DATE:	NO.	BY:	DATE:	
1			3			S-42
2			4			TOTAL SHEETS 58

DRAWN BY: M.J. OSTRISHKO DATE: JUL 2018  
 CHECKED BY: C.J. HOWARD DATE: JUL 2018