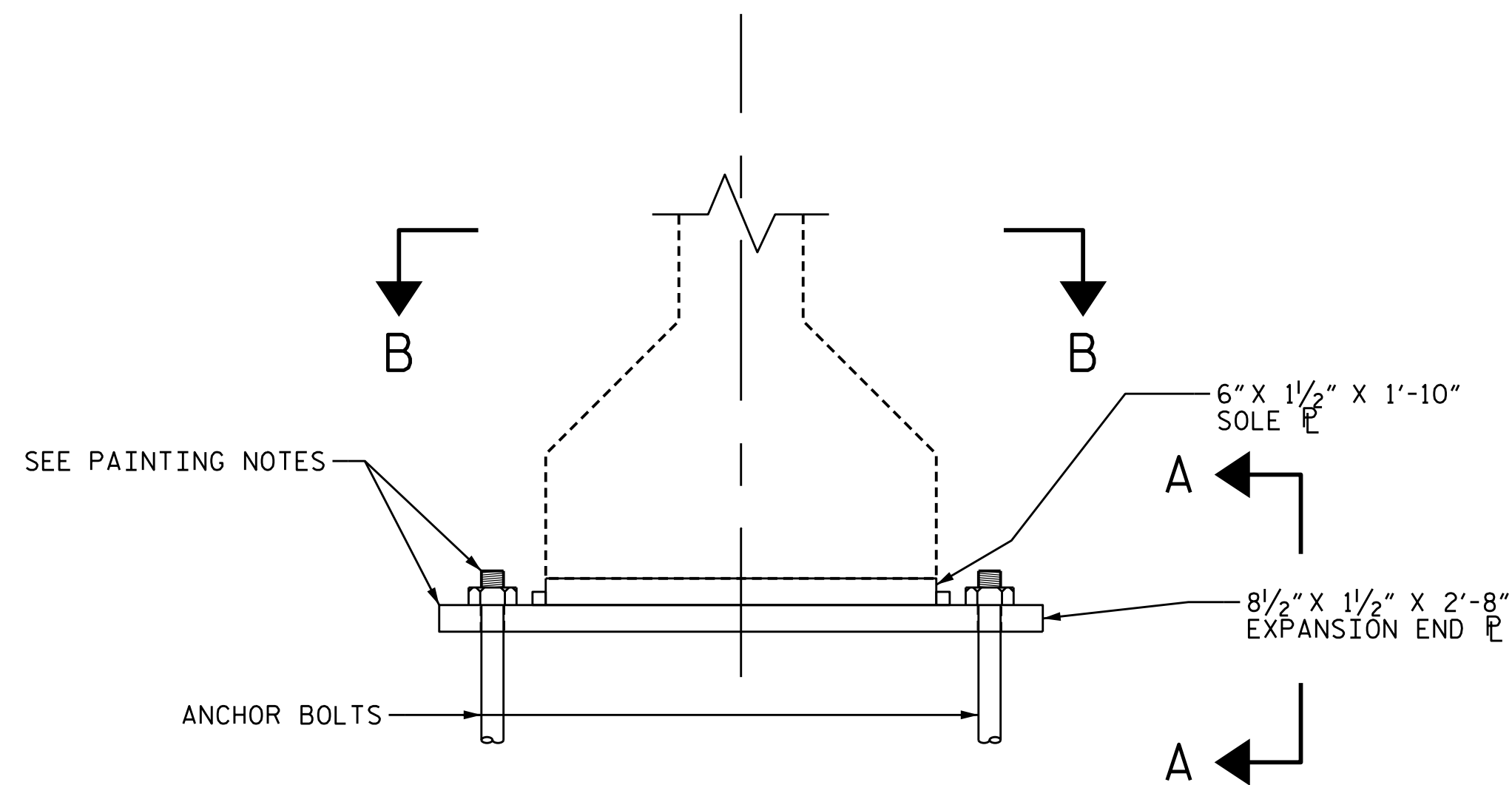
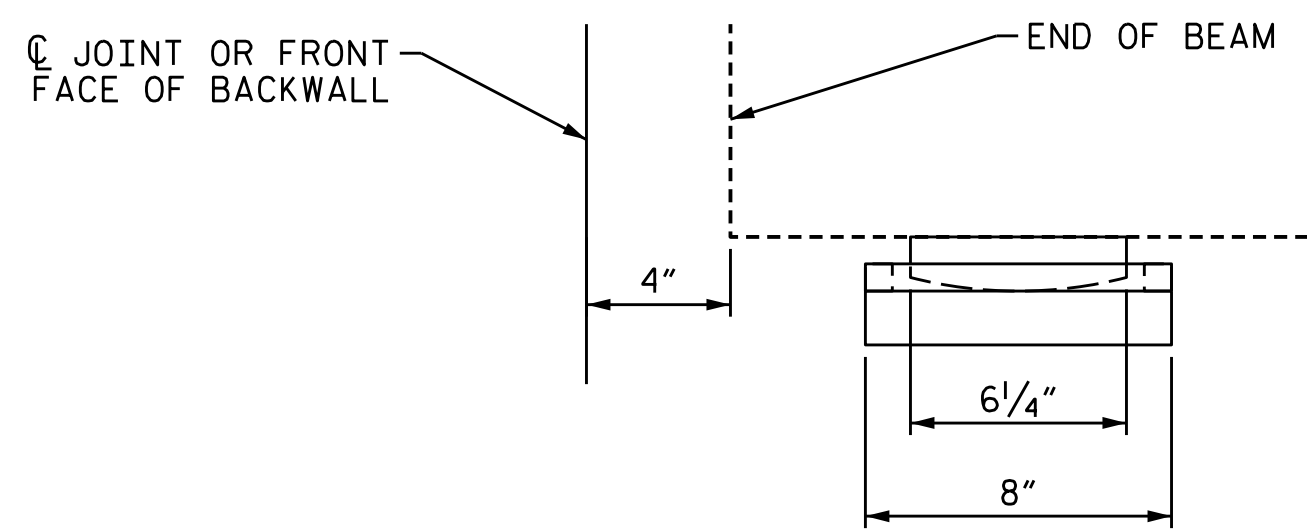


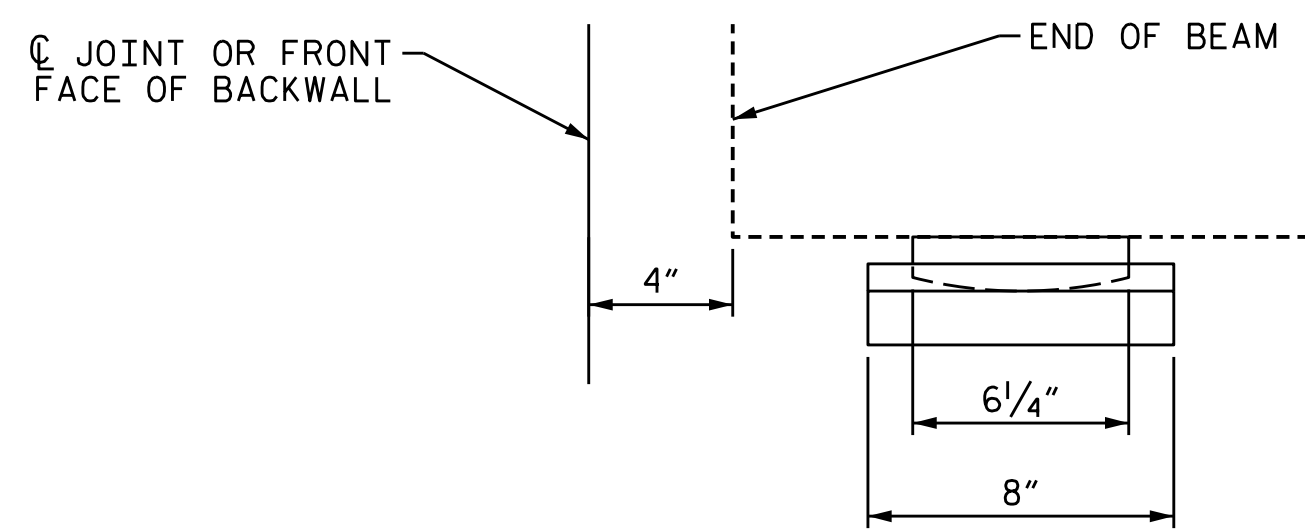
EXISTING BEAM AND FIXED BEARING



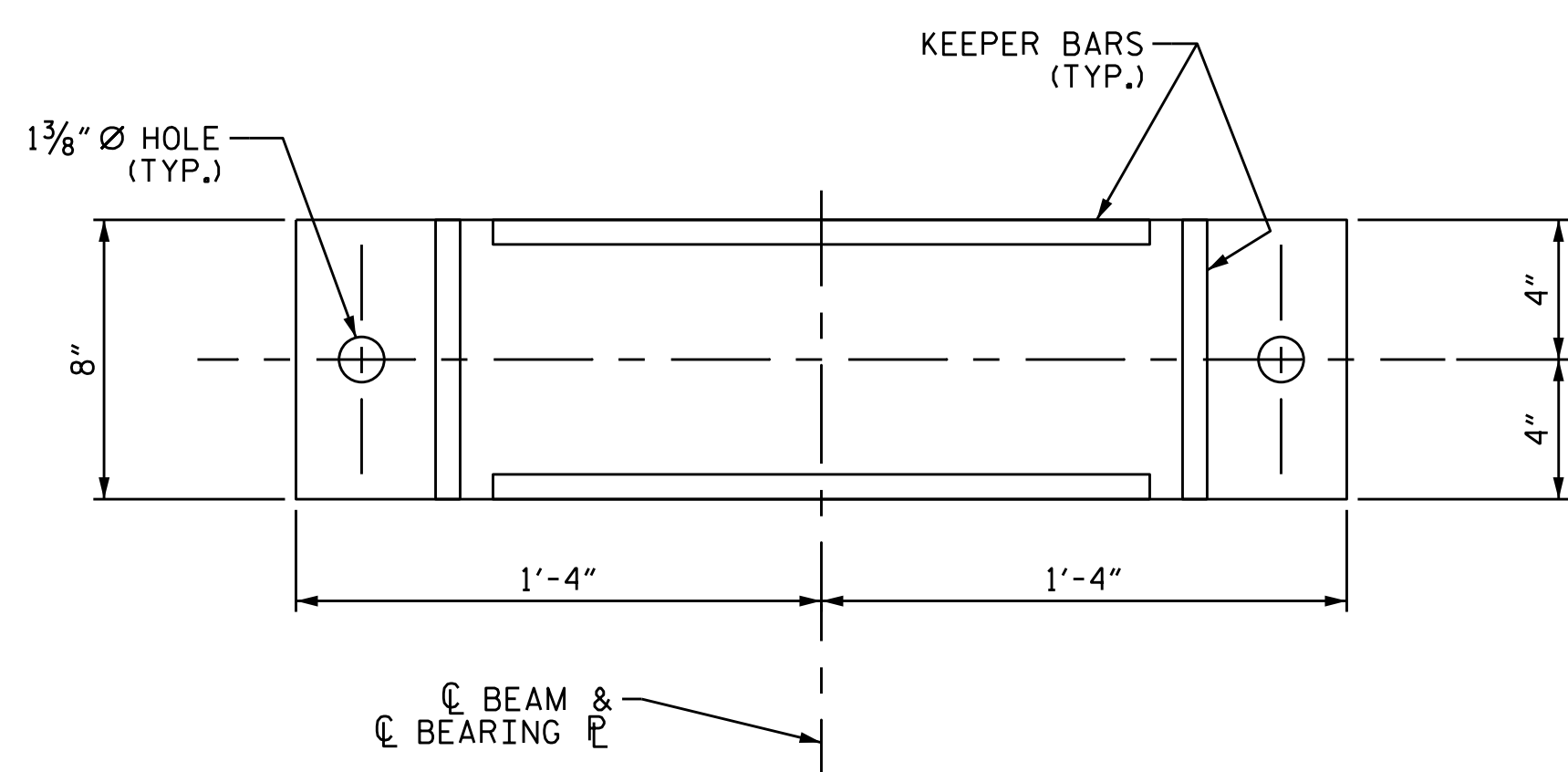
EXISTING BEAM AND EXPANSION BEARING



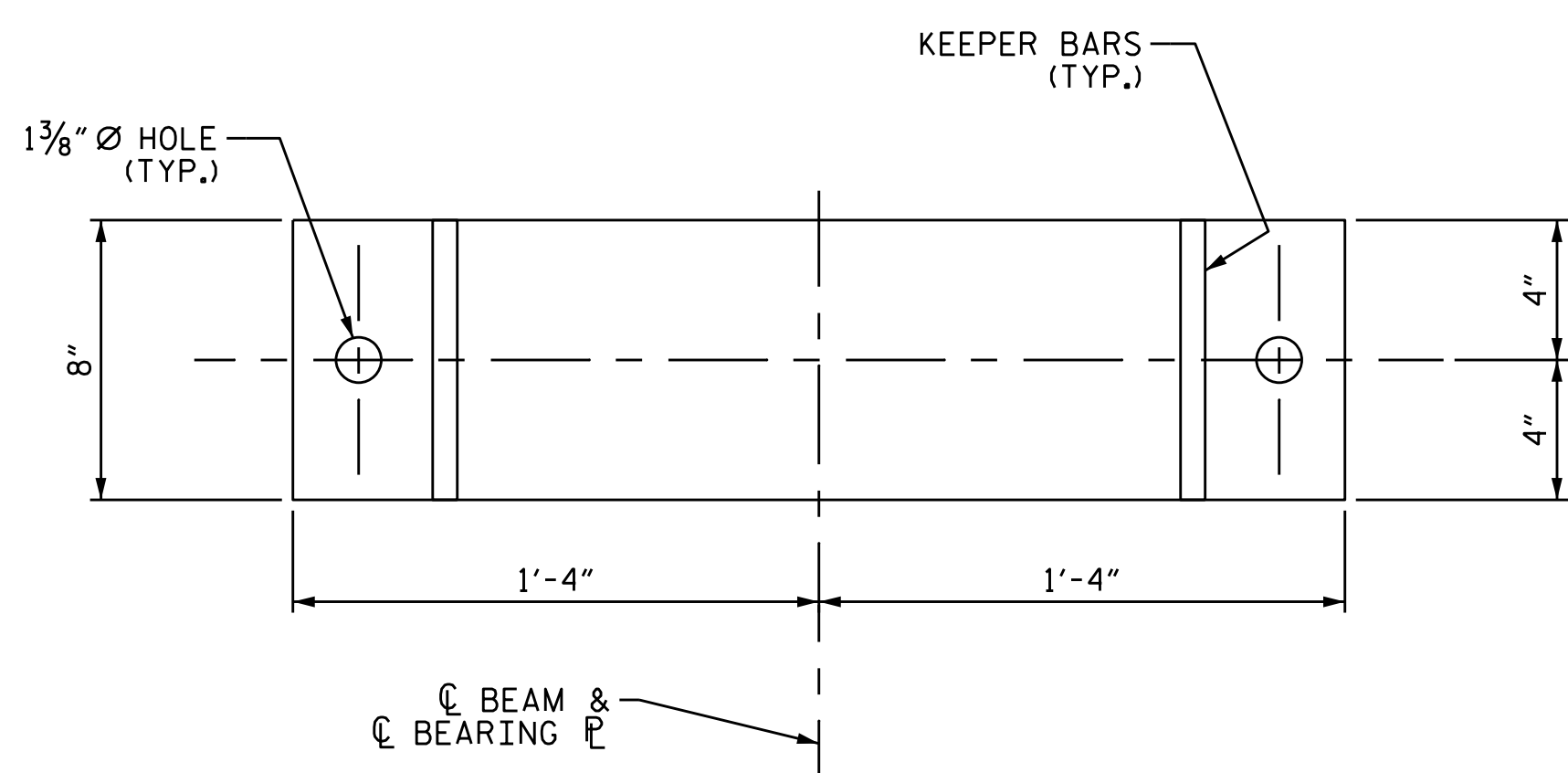
SECTION A-A



SECTION A-A



SECTION B-B



SECTION B-B

NOTES

CLEAN AND PAINT ALL EXPOSED AREAS OF PLATES, NUTS, BOLTS, AND WASHERS AT EACH BEARING IN ACCORDANCE WITH PROJECT SPECIAL PROVISIONS.

DURING ALL CLEANING AND PAINTING OPERATIONS, THE CONTRACTOR SHALL ISOLATE WORK AREA WITH APPROPRIATE CONTAINMENT DEVICES (CANVASSES, TARPULINS, SCREENS, ETC.) IN ORDER TO PREVENT ANY GENERATED DEBRIS FROM CAUSING VIOLATIONS OF CURRENT FEDERAL, STATE AND LOCAL AIR AND WATER POLLUTION REGULATIONS.

THE CONTRACTOR SHALL BE RESPONSIBLE FOR LEGAL DISPOSAL OF ALL DEBRIS COLLECTED BY THE CONTAINMENT DEVICES.

FOR CLEANING AND PAINTING EXISTING BEARINGS WITH HRCSA, SEE SPECIAL PROVISIONS.

FOR CONTAINMENT AND POLLUTION CONTROL, SEE SPECIAL PROVISIONS.

REPAIR QUANTITY TABLE

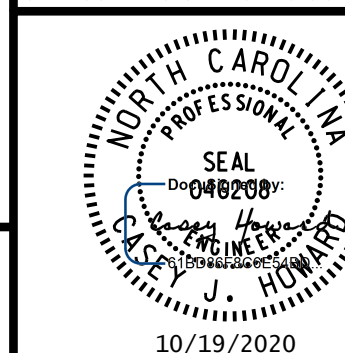
LOCATION	ESTIMATE	ACTUAL
	EACH	EACH
END BENT 1	7	
BENT 1	14	
BENT 2	14	
BENT 3	14	
BENT 4	14	
BENT 5	14	
BENT 6	14	
BENT 7	14	
BENT 8	14	
BENT 9	14	
BENT 10	14	
BENT 11	14	
BENT 12	14	
BENT 13	14	
END BENT 2	7	
TOTAL	196	

PROJECT NO. 15BPR.19
 NEW HANOVER COUNTY
 BRIDGE NO. 640021

STATE OF NORTH CAROLINA
 DEPARTMENT OF TRANSPORTATION
 RALEIGH

CLEANING AND
 PAINTING OF
 EXISTING BEARINGS

DOCUMENT NOT CONSIDERED FINAL
 UNLESS ALL SIGNATURES COMPLETED



REVISIONS

NO.	BY:	DATE:	NO.	BY:	DATE:
1			3		
2			4		

SHEET NO.

S-27
 TOTAL SHEETS 58

wsp
 WSP USA Inc.
 434 FAYETTEVILLE STREET
 SUITE 1500
 RALEIGH, NC 27601
 TEL: 1.919.836.4040
 LICENSE NO. F-0165

10/18/2020 L:\Raleigh Office Projects\Structures\2018\188906-05 NCDOT - 640021 New Hanover Co.05 Plans\1.0 DGN\401.140.15BPR.19_SML.D1_CCB01.S-27.dgn

DRAWN BY: M.J. OSTRISHKO DATE: JUL 2018
 CHECKED BY: C.J. HOWARD DATE: JUL 2018