

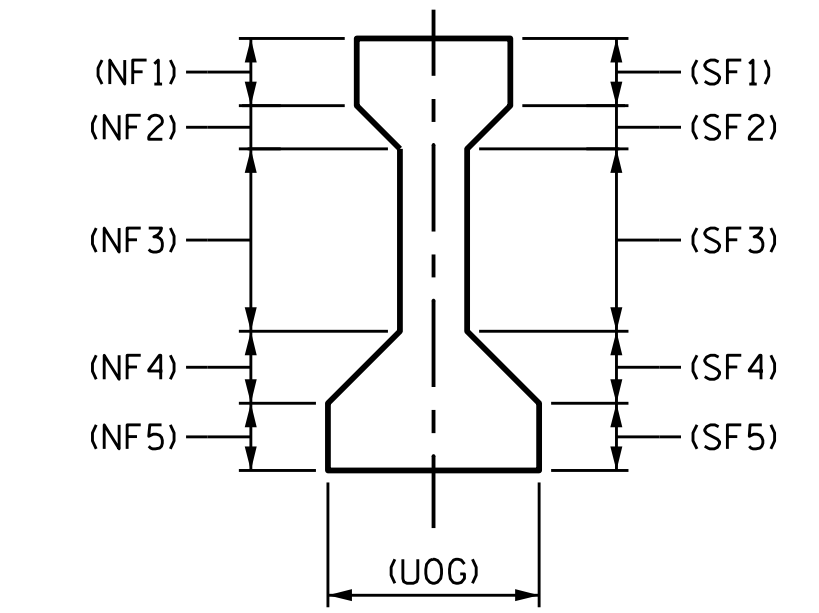
REPAIR QUANTITY TABLE

UNDERSIDE OF DECK	QUANTITIES			
	ESTIMATE		ACTUAL	
SHOTCRETE REPAIRS	AREA SF	VOLUME CF	AREA SF	VOLUME CF
UNDERSIDE OF DECK & OVERHANG				
BENT DIAPHRAGMS	13.5	4.0		
GIRDER REPAIRS				
PRESTRESSED GIRDERS	18.5	5.5		

VALUES IN CHART REPRESENT ESTIMATED REPAIR TOTALS AFTER REMOVAL OF UNSOUND CONCRETE, MIN. OF 1" BEHIND REBAR AND MIN. 2" CLEAR TO SAWCUT, SEE REPAIR DETAILS.
 QUANTITIES ASSUME ALL SPALLS AND DELAMINATIONS TO BE 3.5" DEEP.

NOTES

REPAIR LOCATIONS AND ESTIMATE OF QUANTITIES ARE GIVEN WITH THE BEST INFORMATION AVAILABLE, IF ADDITIONAL REPAIRS NOT SHOWN ON THE DRAWINGS ARE DEEMED NECESSARY BY THE INSPECTOR OR ENGINEER THE CONTRACTOR SHALL NOTE ON THE DRAWINGS THE APPROXIMATE LOCATION AND DESCRIPTION OF THE REPAIRS AND ADJUST THE ACTUAL QUANTITIES ENTERED INTO THE REPAIR QUANTITY TABLE.
 SPANS WILL RECEIVE FULL LENGTH TSA COATING, SEE "PRESTRESSED CONCRETE GIRDERS WITH THERMAL SPRAY ANODE" SPECIAL PROVISIONS AND SHEETS S-28 THRU S-29.
 FOR PRESTRESSED GIRDER AND BENT DIAPHRAGM REPAIR DETAILS, SEE "TYPICAL GIRDER AND DIAPHRAGM REPAIR DETAILS" SHEET S-30.
 FOR SHOTCRETE REPAIRS, SEE SPECIAL PROVISIONS.
 FOR REPAIRS TO PRESTRESSED CONCRETE GIRDERS, SEE SPECIAL PROVISIONS.



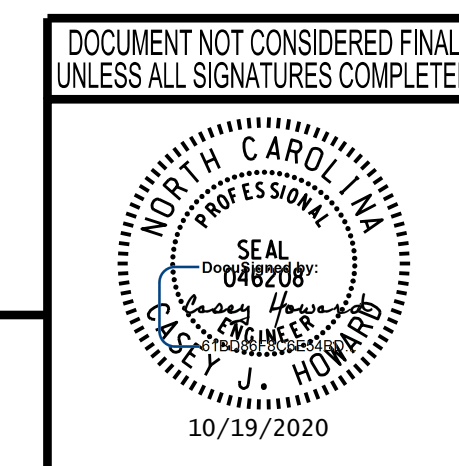
TYPICAL GIRDER SECTION
 DAMAGE OF GIRDER LOCATIONS

PROJECT NO. 15BPR.19
 NEW HANOVER COUNTY
 BRIDGE NO. 640021

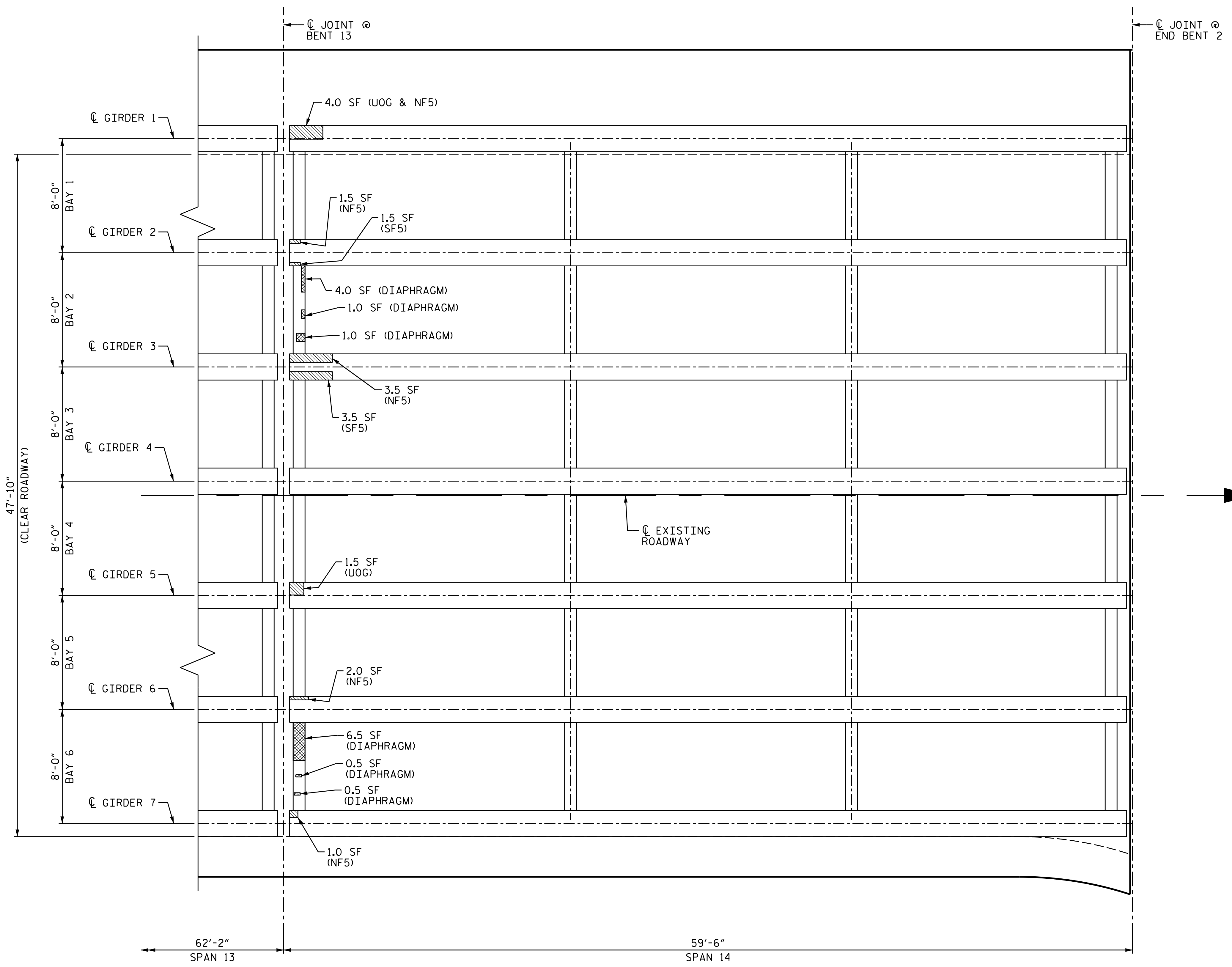
SHEET 14 OF 14

STATE OF NORTH CAROLINA
 DEPARTMENT OF TRANSPORTATION
 RALEIGH
 SUPERSTRUCTURE
 GIRDER & DIAPHRAGM
 REPAIRS
 SPAN 14

REVISIONS						SHEET NO.
NO.	BY:	DATE:	NO.	BY:	DATE:	
1			3			TOTAL SHEETS
2			4			58



wsp
 WSP USA Inc.
 434 FAYETTEVILLE STREET
 SUITE 1500
 RALEIGH, NC 27601
 TEL: 1.919.836.4040
 LICENSE NO. F-0165



PLAN OF SPANS
 (UNDERSIDE)

LEGEND			
SF	SQUARE FEET		DIAPHRAGM REPAIR
(UOD)	UNDERSIDE OF DECK		GIRDER REPAIR
(BOH)	BOTTOM OF OVERHANG		DECK REPAIR
ERI	EPOXY RESIN INJECTION		

10/18/2020 L:\Raleigh Office Projects\Structures\2018\188906-05 NCDOT - 640021 New Hanover Co.05 Plans\1.0 DGN\401.115.15BPR.19_SML.014.S-22.dgn

DRAWN BY: M.J. OSTRISHKO DATE: JUL 2018
 CHECKED BY: C.J. HOWARD DATE: JUL 2018