

NOTES

FOR BRIDGE APPROACH FILL INCLUDING GEOTEXTILE, 4" Ø DRAINAGE PIPE, AND SELECT MATERIAL BACKFILL, SEE ROADWAY PLANS.

GEOTEXTILE SHALL BE TYPE I IN ACCORDANCE WITH THE STANDARD SPECIFICATIONS SECTION 1056.

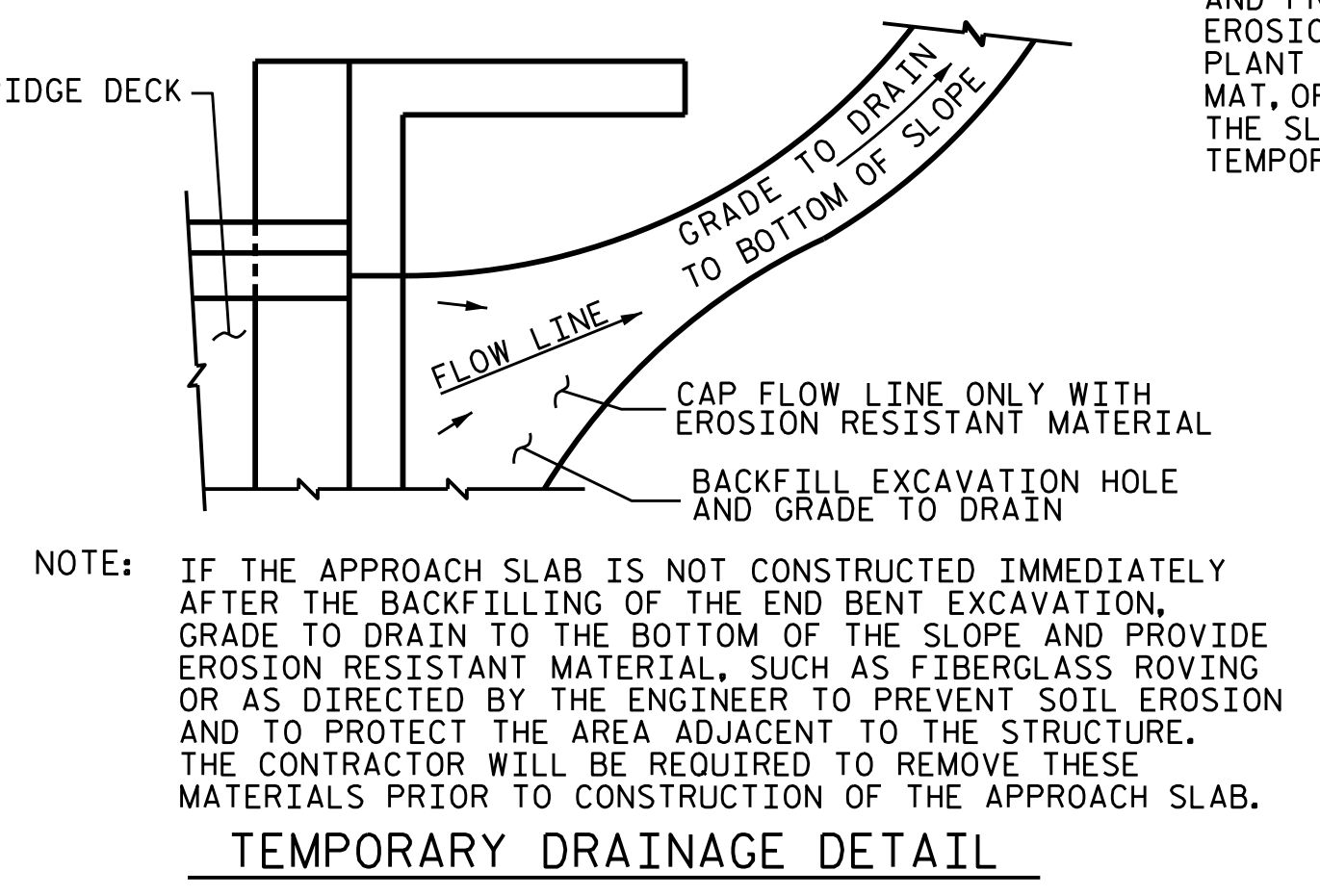
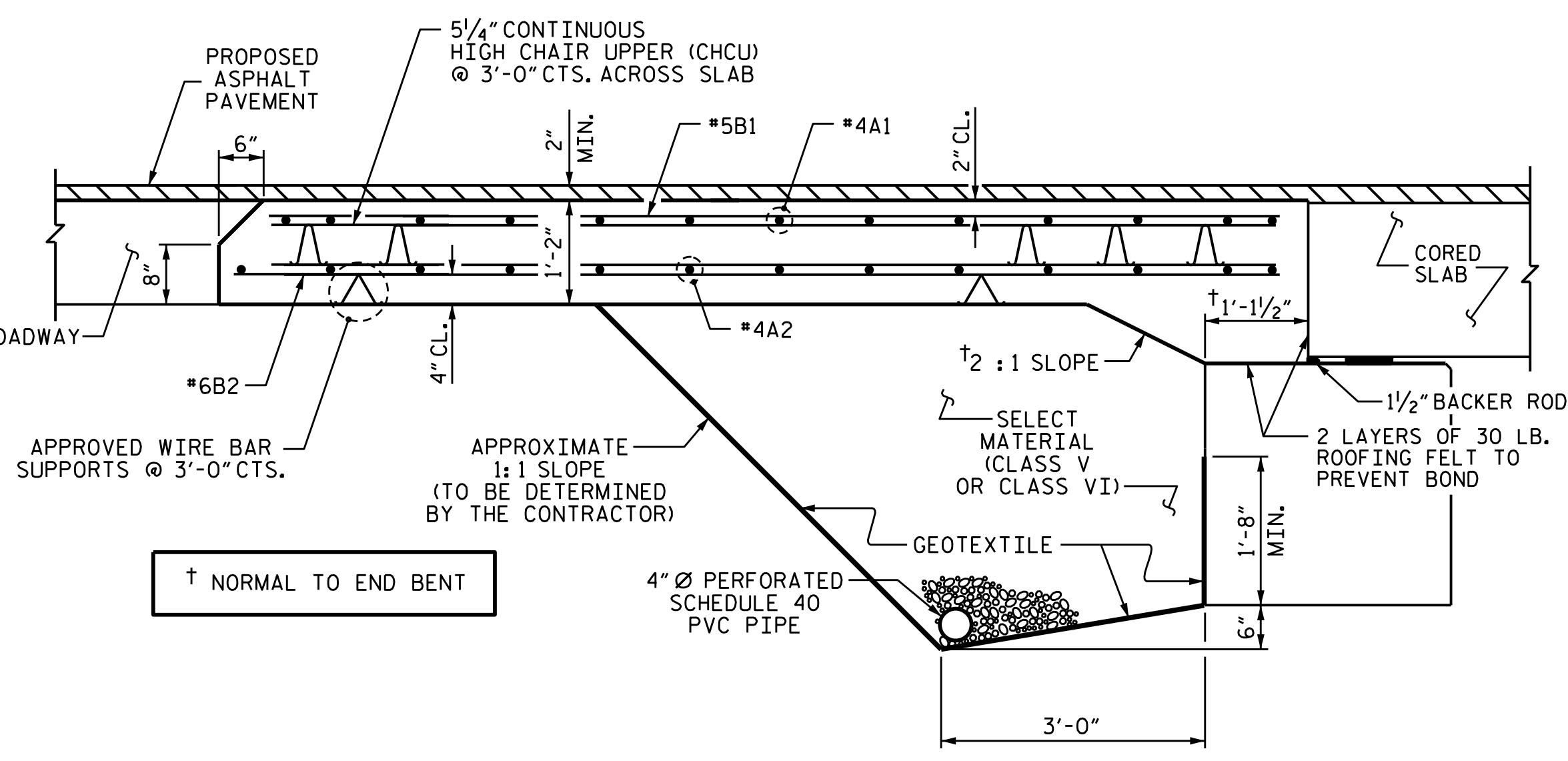
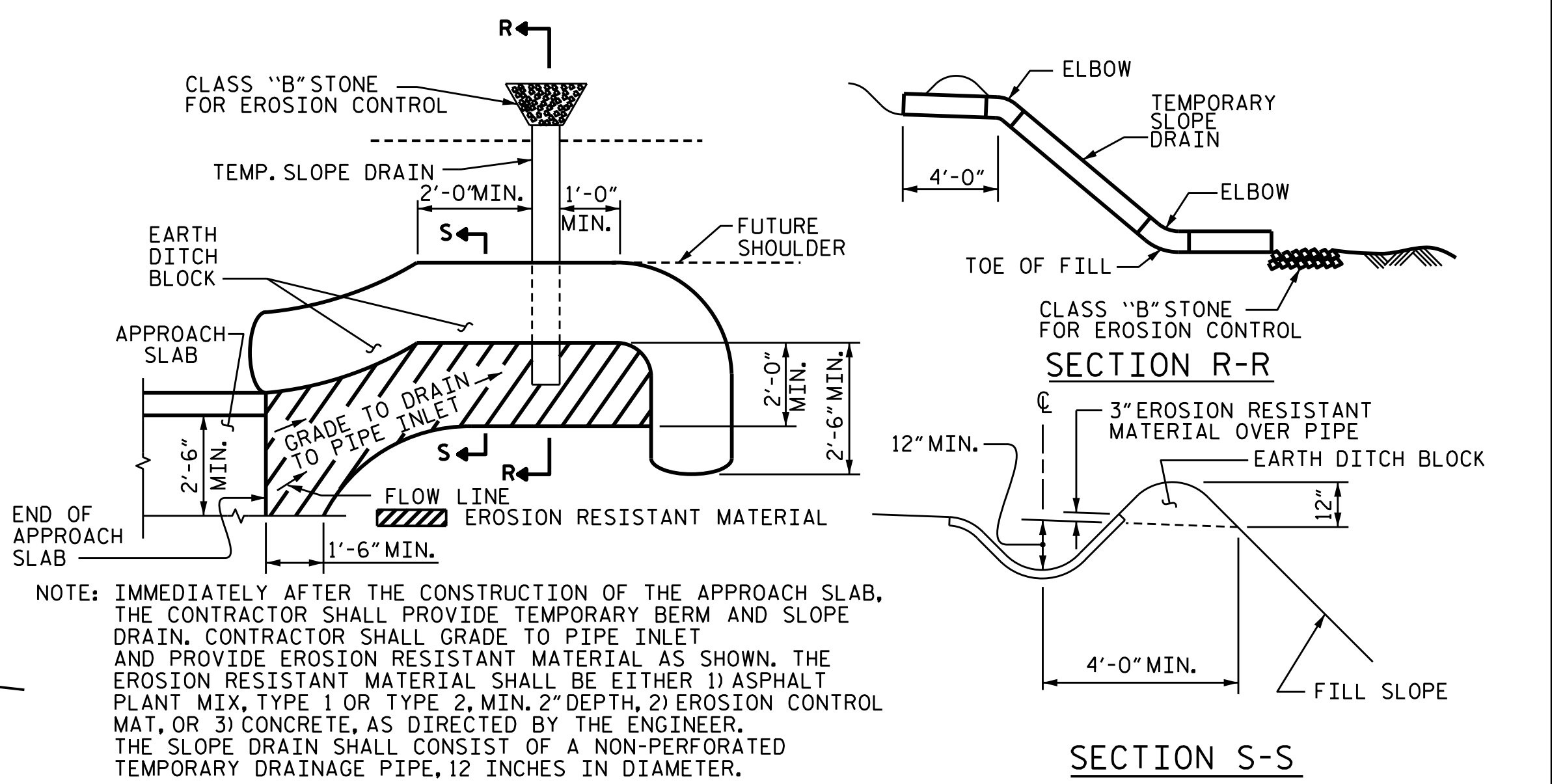
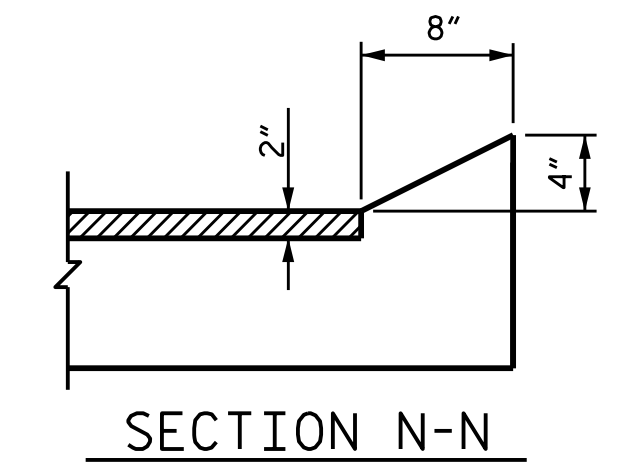
SELECT MATERIAL BACKFILL (CLASS V OR CLASS VI) SHALL BE IN ACCORDANCE WITH STANDARD SPECIFICATIONS SECTION 1016.

SELECT MATERIAL BACKFILL IS TO BE CONTINUOUS ALONG FILL FACE OF BACKWALL FROM OUTSIDE EDGE TO OUTSIDE EDGE OF APPROACH SLAB.

FOR THE 4" Ø DRAINAGE PIPE OUTLET(S), SEE ROADWAY STANDARD DRAWINGS.

AREA BETWEEN THE WINGWALL AND APPROACH SLAB SHALL BE GRADED TO DRAIN THE WATER AWAY FROM THE FILL FACE OF THE BRIDGE AND SHALL BE PAVED. SEE ROADWAY PLANS.

APPROACH SLAB GROOVING IS NOT REQUIRED.



BILL OF MATERIAL

APPROACH SLAB AT EB #1

BAR	NO.	SIZE	TYPE	LENGTH	WEIGHT	
*A1	13	#4	STR	28'-10"	250	
A2	13	#4	STR	28'-10"	250	
*B1	58	#5	STR	11'-2"	676	
B2	58	#6	STR	11'-8"	1016	
REINFORCING STEEL					LBS.	1266
* EPOXY COATED REINFORCING STEEL					LBS.	926
CLASS AA CONCRETE					C. Y.	17.7

APPROACH SLAB AT EB #2

BAR	NO.	SIZE	TYPE	LENGTH	WEIGHT	
*A1	13	#4	STR	28'-10"	250	
A2	13	#4	STR	28'-10"	250	
*B1	58	#5	STR	11'-2"	676	
B2	58	#6	STR	11'-8"	1016	
REINFORCING STEEL					LBS.	1266
* EPOXY COATED REINFORCING STEEL					LBS.	926
CLASS AA CONCRETE					C. Y.	17.7

SPLICE LENGTHS

BAR SIZE	EPOXY COATED	UNCOATED
#4	1'-11"	1'-7"
#5	2'-5"	2'-0"
#6	3'-7"	2'-5"

PROJECT NO. BR-0107
 IREDELL COUNTY
 STATION: 17+68.00 -L-



STATE OF NORTH CAROLINA
 DEPARTMENT OF TRANSPORTATION
 RALEIGH
 STANDARD
 BRIDGE APPROACH SLAB
 FOR PRESTRESSED CONCRETE
 CORED SLAB UNIT
 (SUB-REGIONAL TIER)
 90° SKEW

REVISIONS

NO.	BY:	DATE:	NO.	BY:	DATE:
1			3		
2			4		

SHEET NO. S-14
 TOTAL SHEETS 14

ms consultants, inc.
 5444 Wake Park Blvd.
 Suite 160
 Raleigh, NC 27607
 NC License Number : C-3239

ASSEMBLED BY : J.M. KEPICH DATE : 11/19
 CHECKED BY : L.M. SAMPLES DATE : 03/20
 DRAWN BY : SHS/MAA 5-09 REV. 12-17 MAA/THC
 CHECKED BY : BCH 5-09 REV. 08-19 BNB/THC

*****SYTIME*****
 *****DGN*****
 *****USER*****