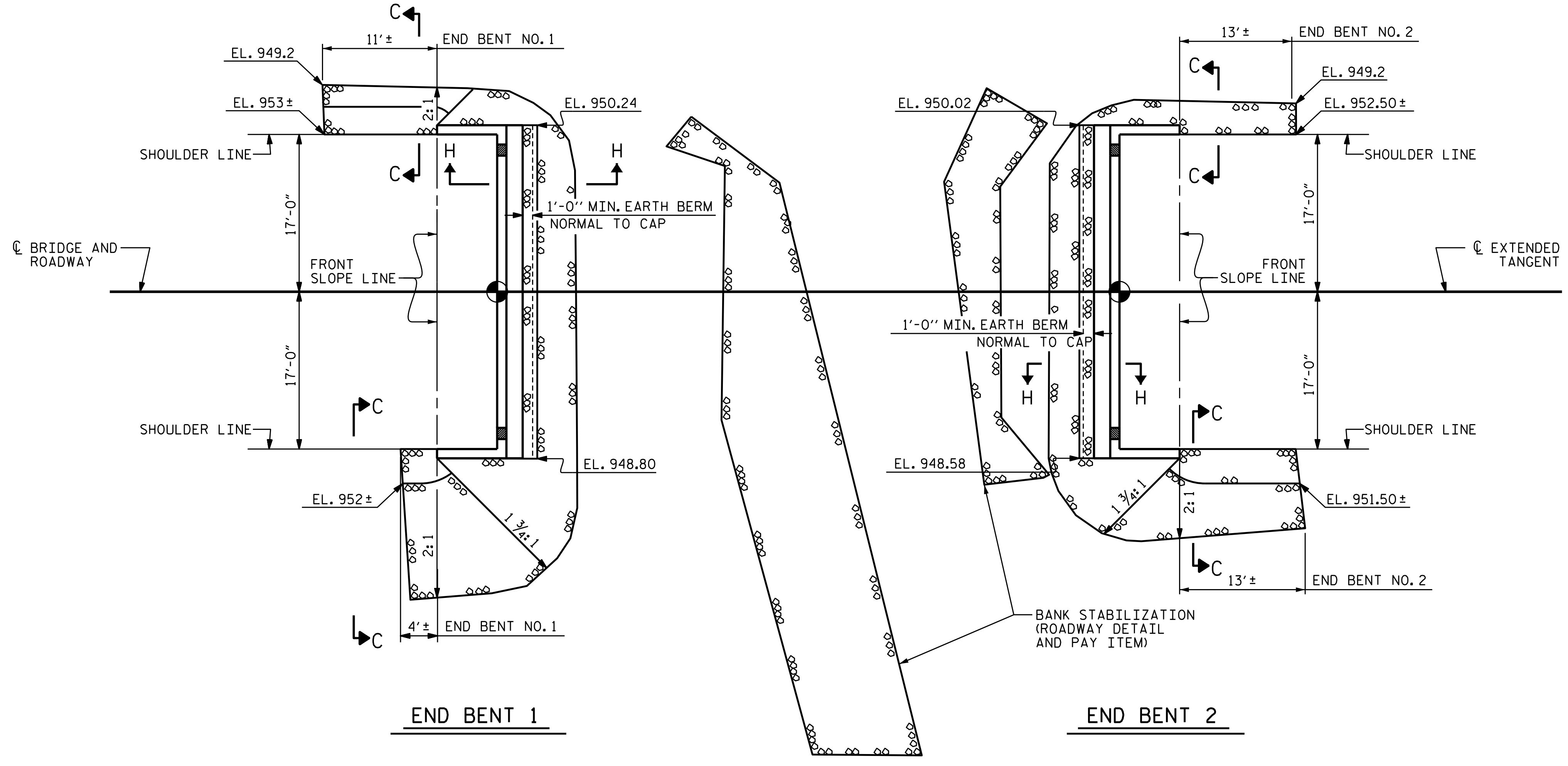
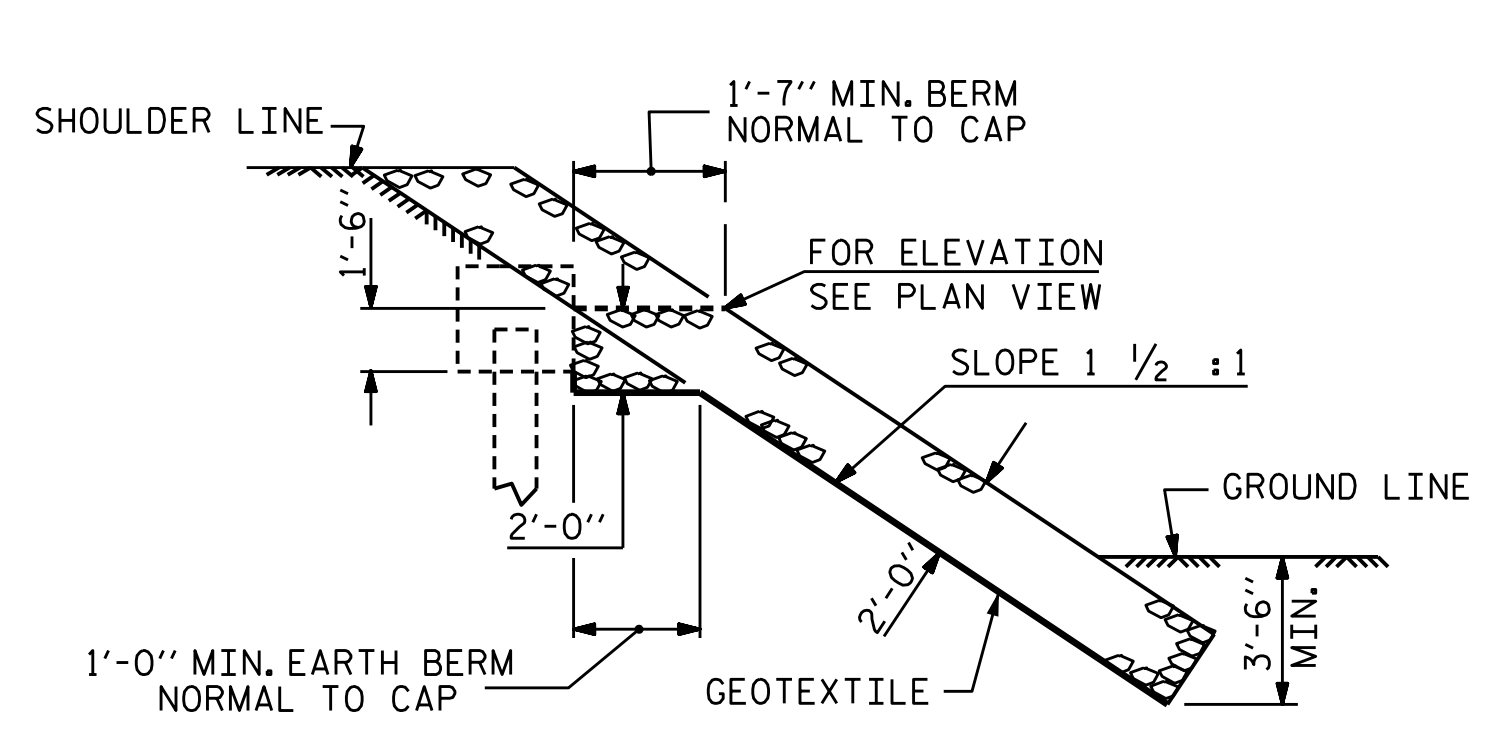


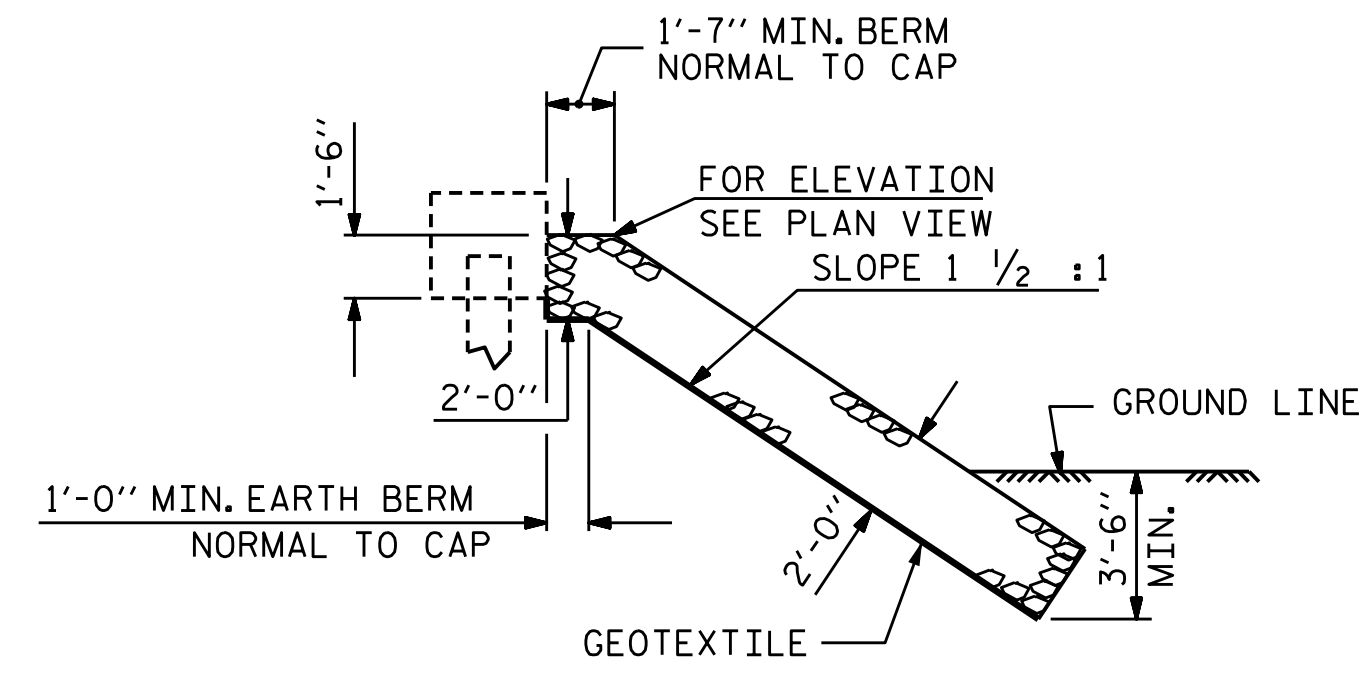
NOTES :
FOR BERM WIDTH DIMENSIONS, SEE GENERAL DRAWING.



ESTIMATED QUANTITIES		
BRIDGE @ STA. 17+68.00	RIP RAP CLASS II (2'-0" THICK)	GEOTEXTILE FOR DRAINAGE
	TONS	SQUARE YARDS
END BENT 1	73	82
END BENT 2	66	74

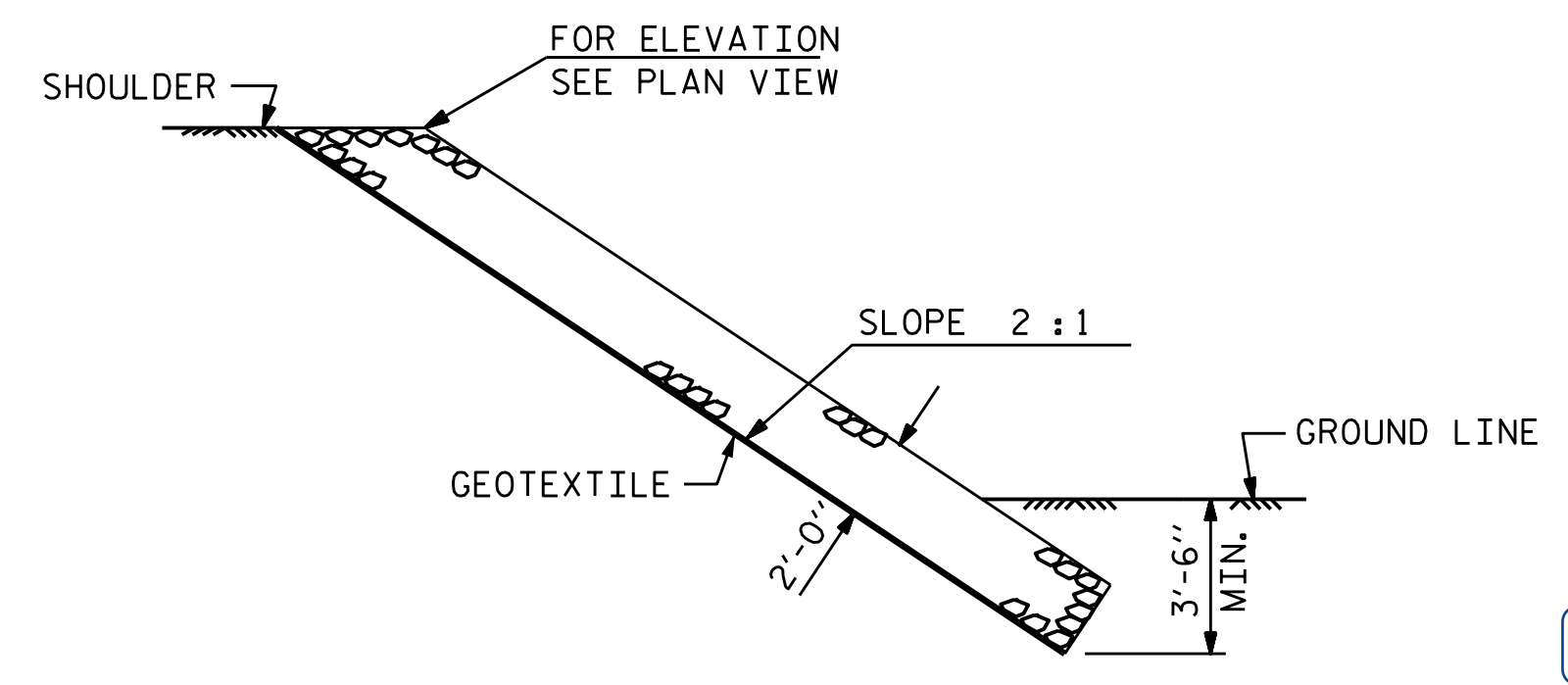


SECTION H-H



SECTION C-C
BERM RIP RAPPED

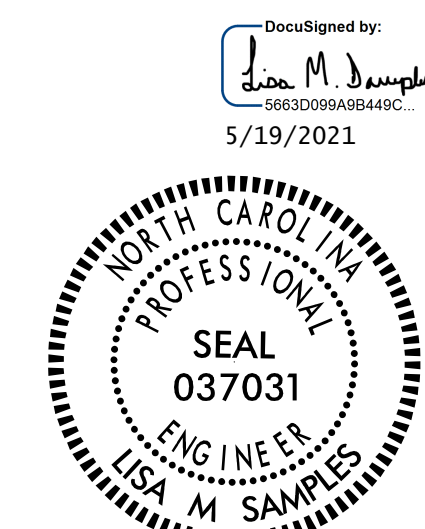
END BENT 1 SHOWN, END BENT 2 SIMILAR



SECTION C-C

PROJECT NO. BR-0107
IREDELL COUNTY
STATION: 17+68.00 -L-

STATE OF NORTH CAROLINA
DEPARTMENT OF TRANSPORTATION
RALEIGH
STANDARD
RIP RAP DETAILS



ASSEMBLED BY : J.M. KEPICH	DATE : 11/19
CHECKED BY : L.M. SAMPLES	DATE : 03/20
DRAWN BY : REK 1/84	REV. 10/17/11 MAA/GM
CHECKED BY : RDU 1/84	REV. 12/21/11 MAA/GM
	REV. 12/17 MAA/THC

ms consultants, inc.
5444 Wake Park Blvd.
Suite 160
Raleigh, NC 27607
NC License Number : C-3239

REVISIONS						SHEET NO.
NO.	BY:	DATE:	NO.	BY:	DATE:	S-13
1			3			TOTAL SHEETS 14
2			4			