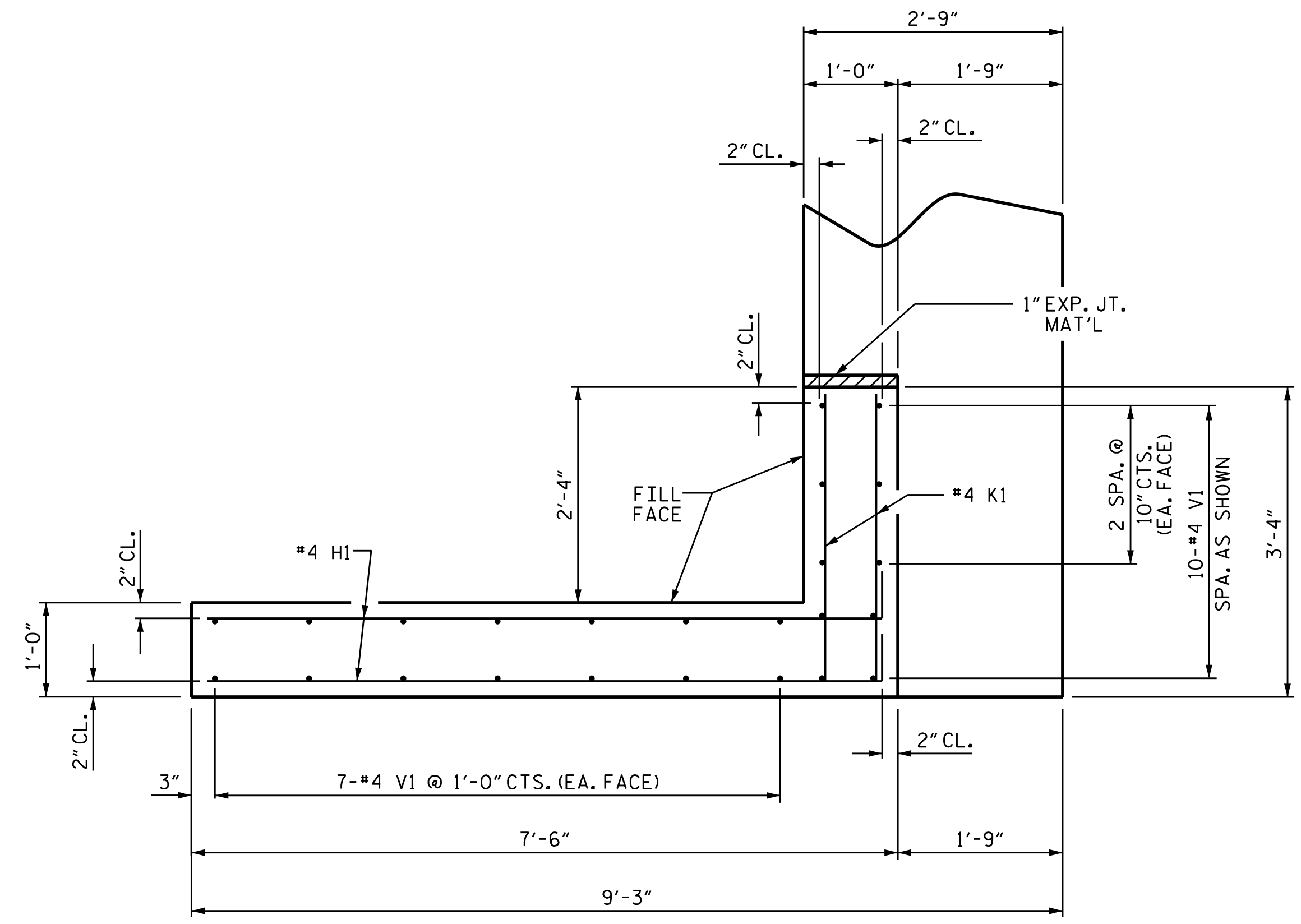
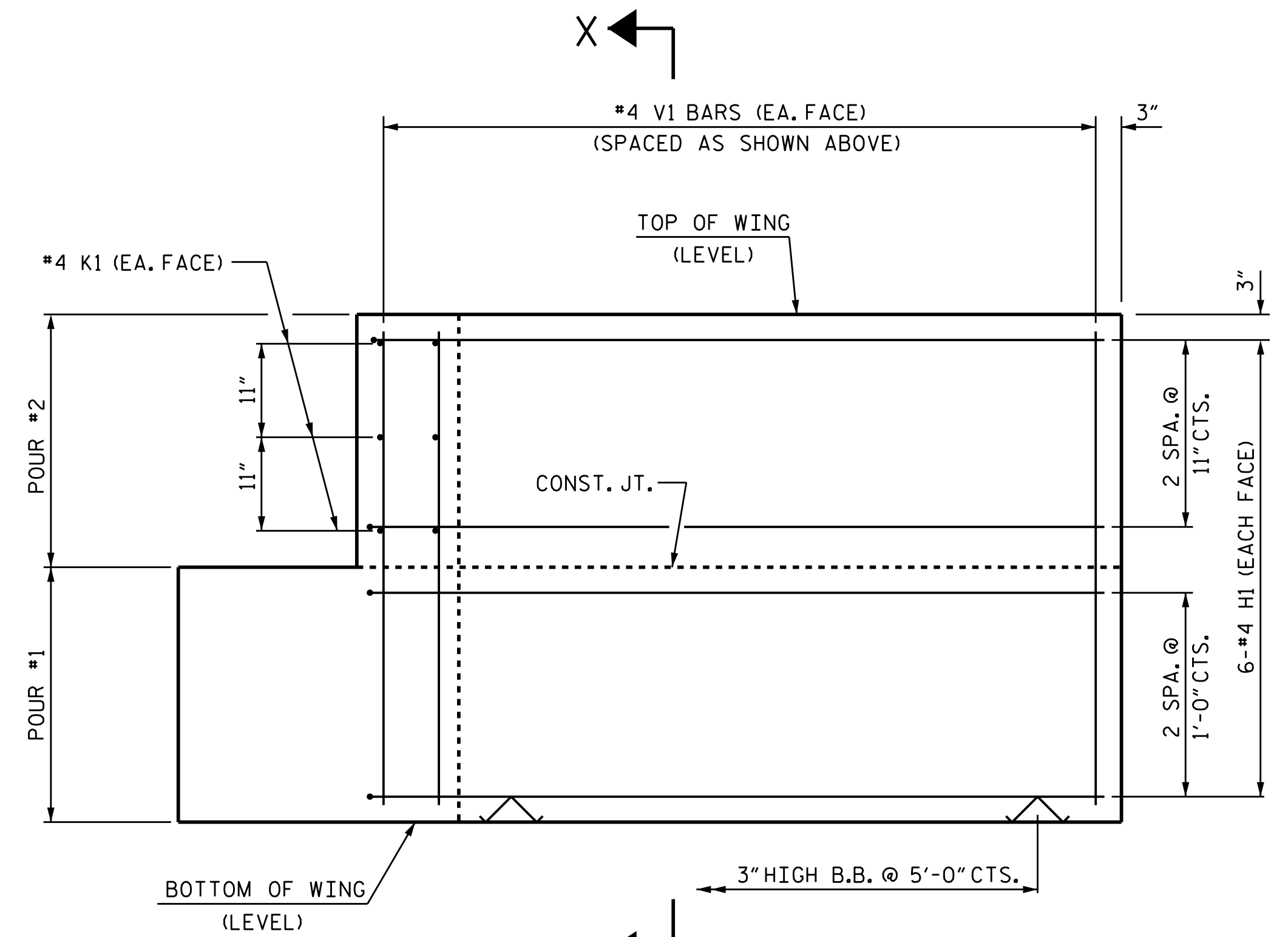


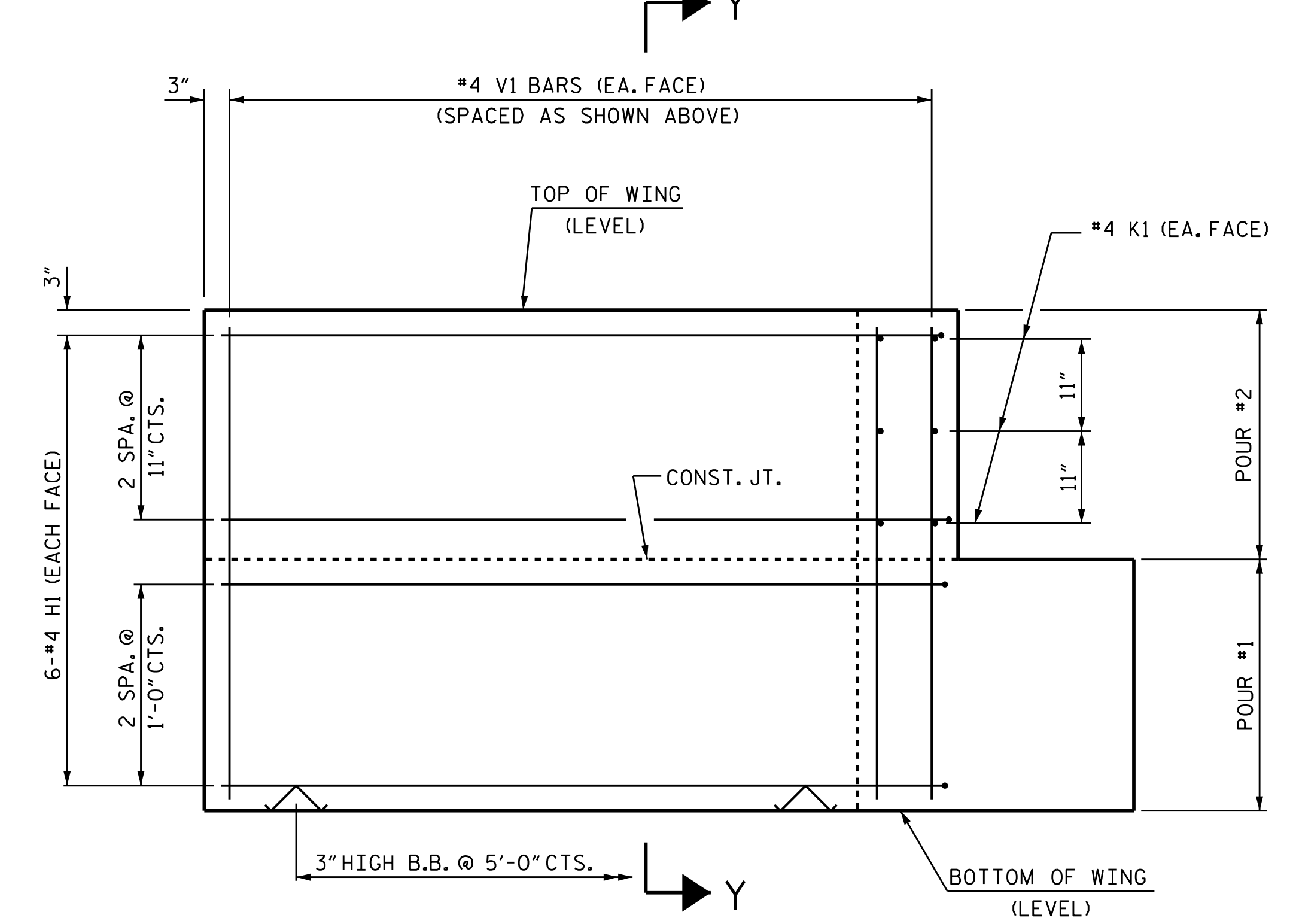
PLAN OF WING (W1)



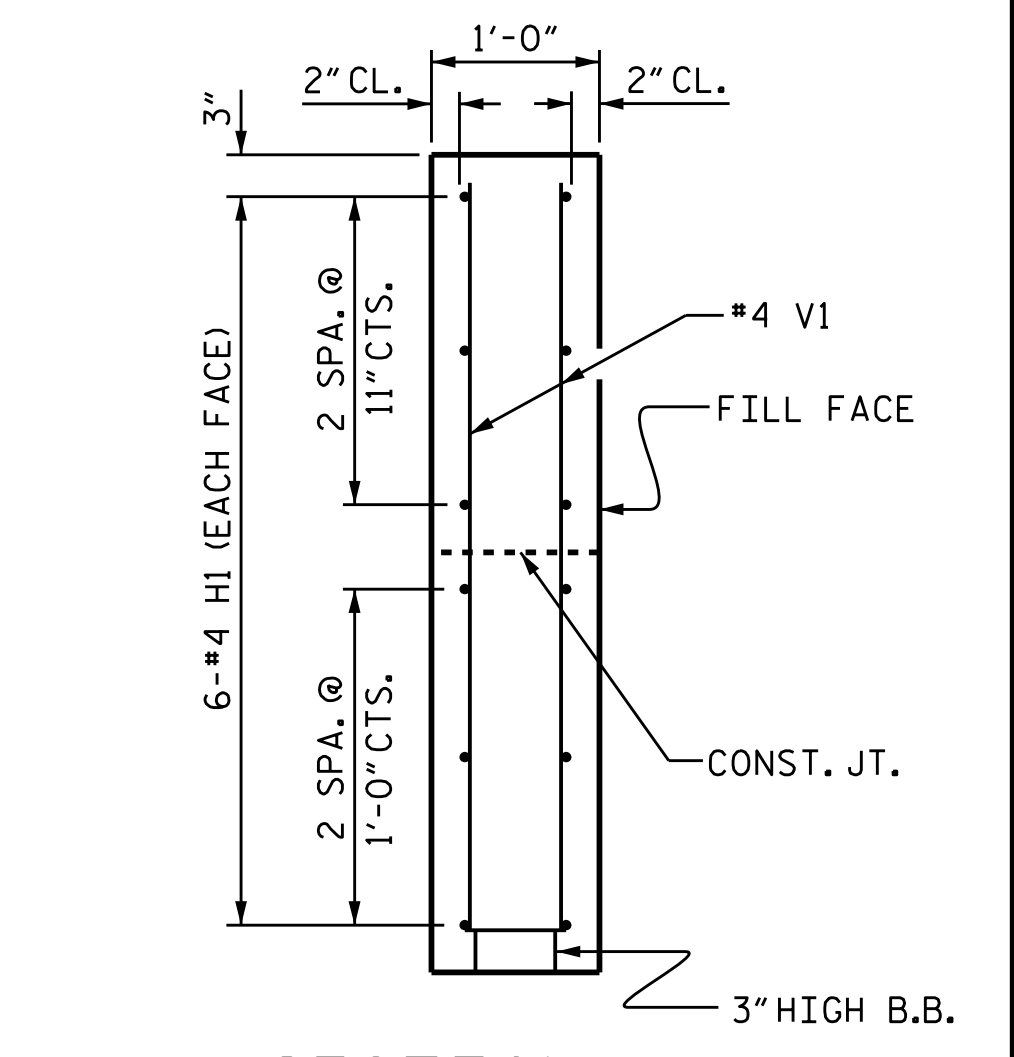
PLAN OF WING (W2)



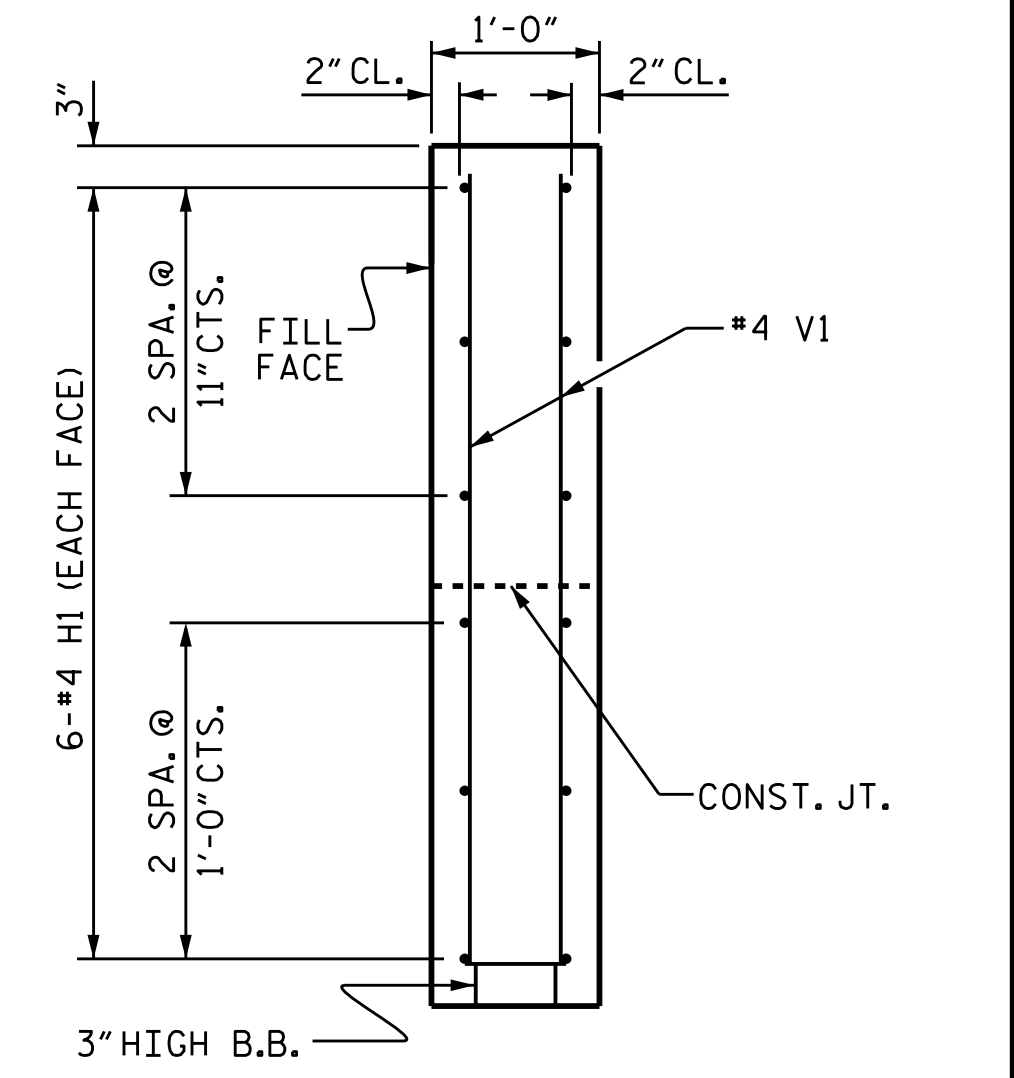
ELEVATION OF WING (W1)



ELEVATION OF WING (W2)



SECTION X-X

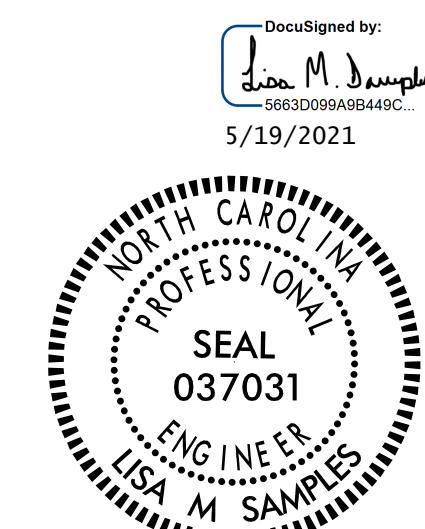


SECTION Y-Y

WING DETAILS

ASSEMBLED BY : J.M. KEPICH	DATE : 11/19
CHECKED BY : L.M. SAMPLES	DATE : 03/20
DRAWN BY : DGE 02/10	REV. 4/15
CHECKED BY : MKT 02/10	MAA/TMG

ms consultants, inc.
 5444 Wake Park Blvd.
 Suite 160
 Raleigh, NC 27607
 NC License Number : C-3239



PROJECT NO. BR-0107
 IREDELL COUNTY
 STATION: 17+68.00 -L-
 SHEET 3 of 4

STATE OF NORTH CAROLINA DEPARTMENT OF TRANSPORTATION RALEIGH					
SUBSTRUCTURE END BENT WING DETAILS					
REVISIONS					
NO.	BY:	DATE:	NO.	BY:	DATE:
1			3		
2			4		
					SHEET NO. S-11
					TOTAL SHEETS 14