

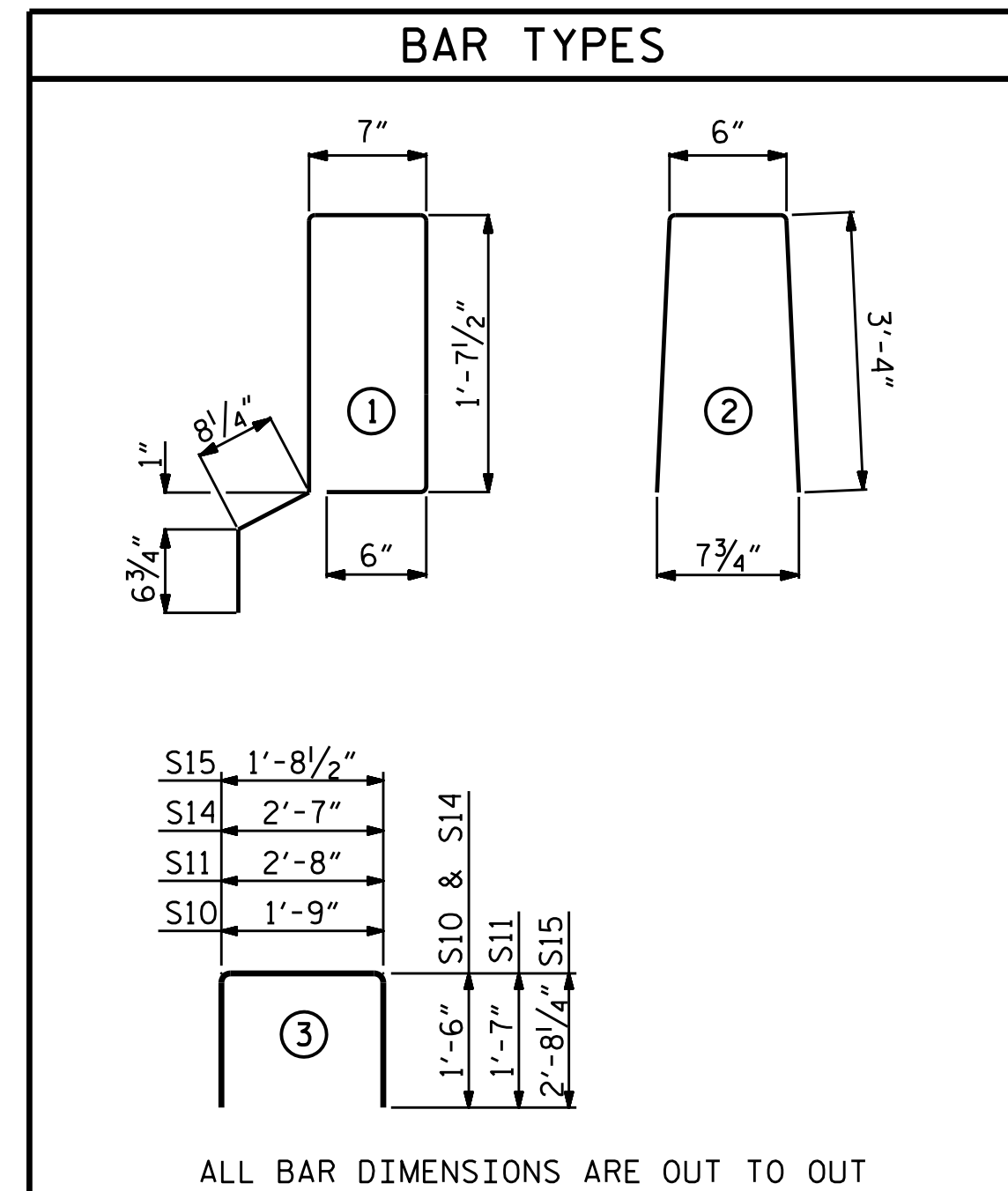
FIXED END  
(TYPE I - 20 REO'D)

**ELASTOMERIC BEARING DETAILS**

ELASTOMER IN ALL BEARINGS SHALL BE 60 DUROMETER HARDNESS.

**BILL OF MATERIAL FOR ONE 65' CORED SLAB UNIT**

				EXTERIOR UNIT		INTERIOR UNIT	
BAR	NUMBER	SIZE	TYPE	LENGTH	WEIGHT	LENGTH	WEIGHT
B21	6	#4	STR	22'-10"	92	22'-10"	92
S10	8	#5	3	4'-9"	40	4'-9"	40
S11	134	#4	3	5'-10"	522	5'-10"	522
*S12	74	#5	1	5'-7"	431		
S14	4	#4	3	5'-7"	15	5'-7"	15
S15	4	#5	3	7'-1"	30	7'-1"	30
REINFORCING STEEL				LBS.	699		699
* EPOXY COATED REINFORCING STEEL				LBS.	431		
6000 P.S.I. CONCRETE				CU. YDS.	11.0		11.0
0.6" Ø L.R. STRANDS				No.	24		24



**CORED SLABS REQUIRED**

65' UNIT	NUMBER	LENGTH	TOTAL LENGTH
EXTERIOR C.S.	2	65'-0"	130'-0"
INTERIOR C.S.	8	65'-0"	520'-0"
TOTAL	10		650'-0"

**DEAD LOAD DEFLECTION AND CAMBER**

3'-0" x 2'-0"	
65' CORED SLAB UNIT	0.6" Ø L.R. STRAND
CAMBER (SLAB ALONE IN PLACE)	1 7/8" ↑
DEFLECTION DUE TO SUPERIMPOSED DEAD LOAD**	1/2" ↓
FINAL CAMBER	1 3/8" ↑

\*\* INCLUDES FUTURE WEARING SURFACE

**CONCRETE RELEASE STRENGTH**

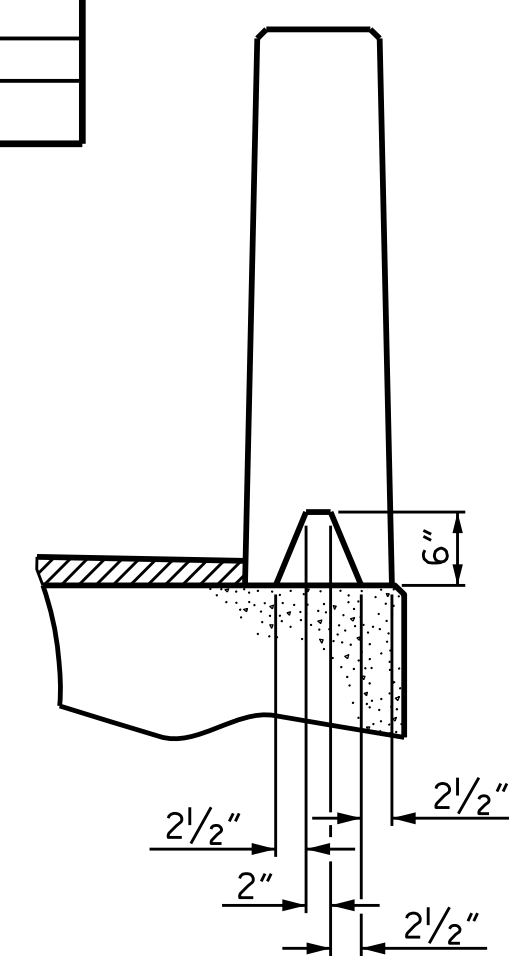
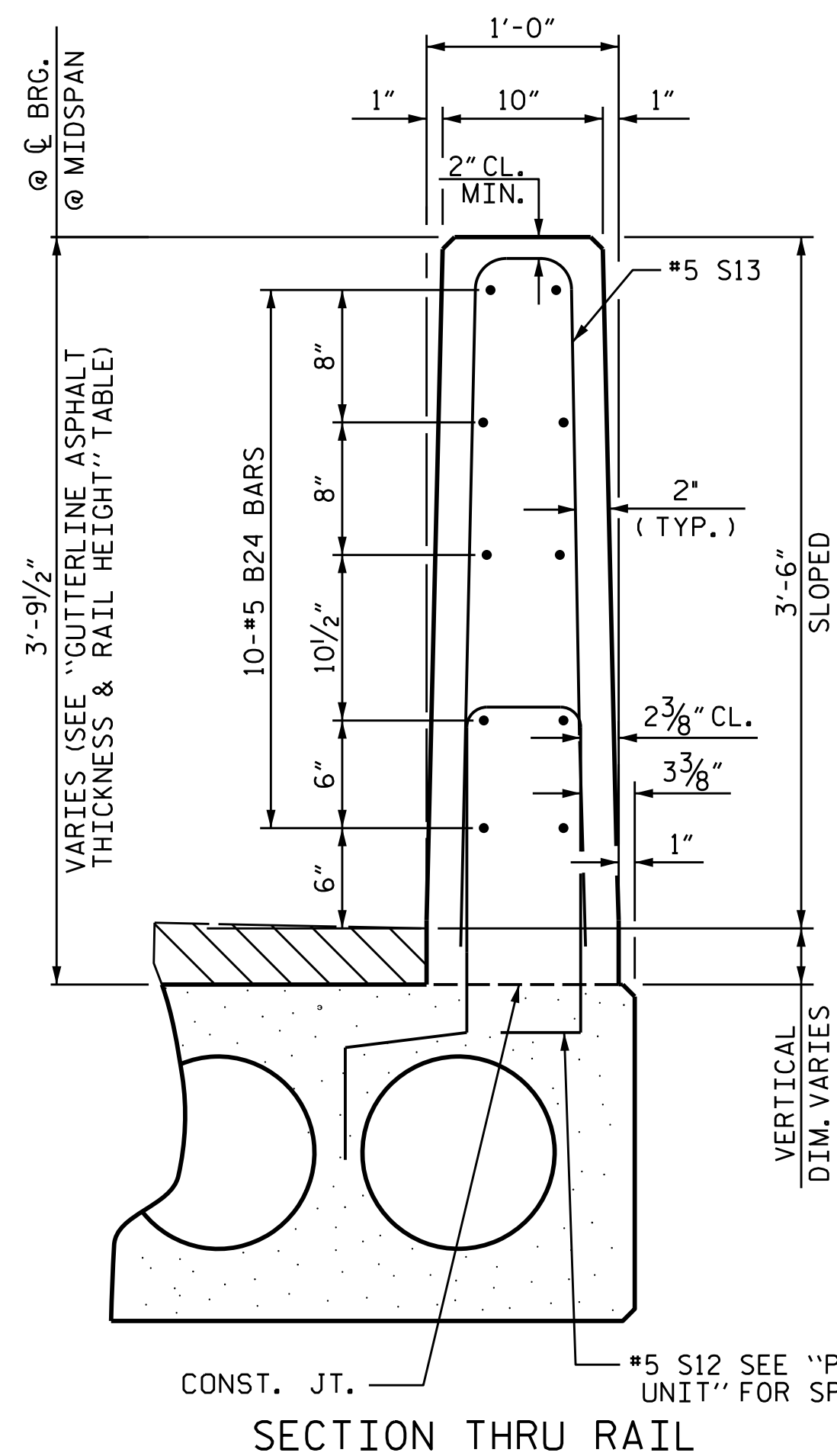
UNIT	PSI
65' UNITS	4800

**BILL OF MATERIAL FOR VERTICAL CONCRETE BARRIER RAIL**

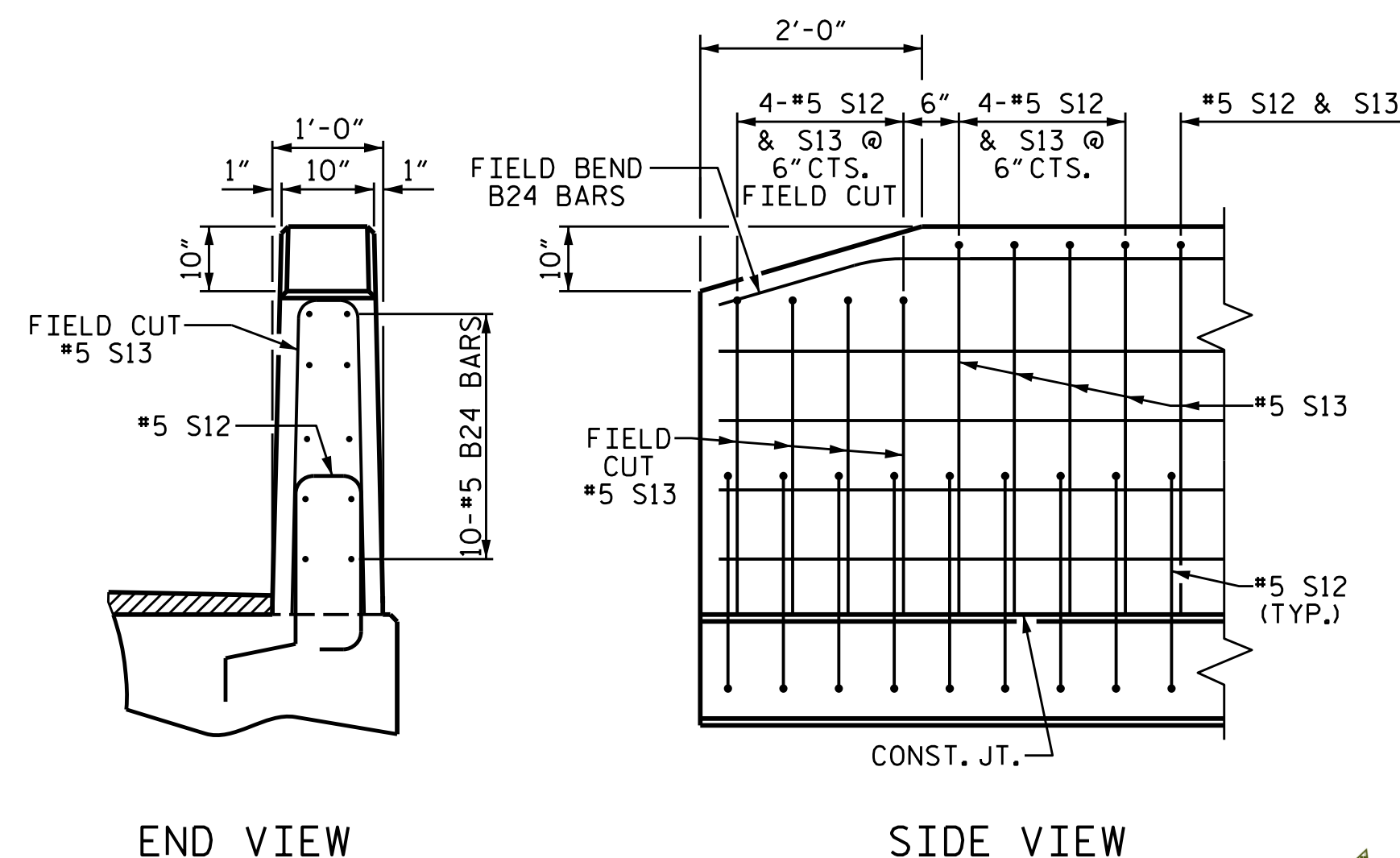
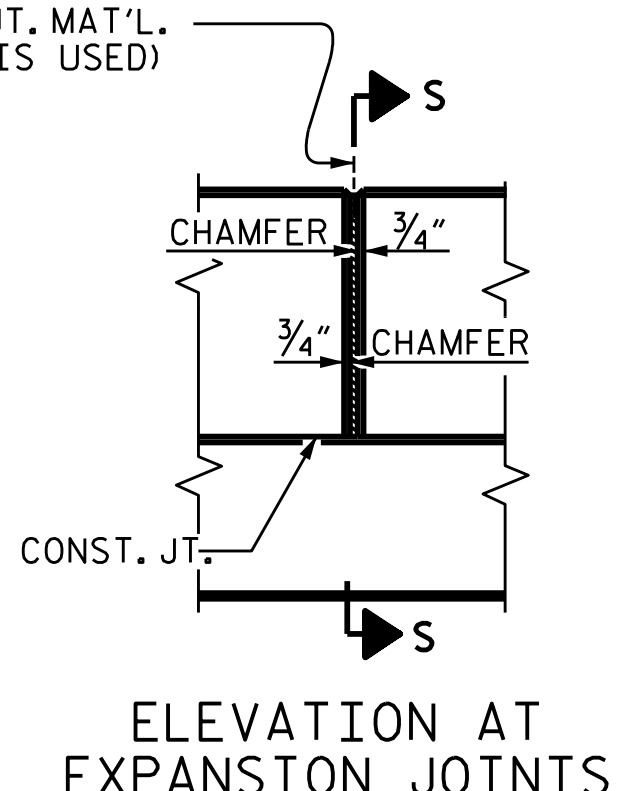
BAR	BARS PER PAIR OF EXTERIOR UNITS	TOTAL NO.	SIZE	TYPE	LENGTH	WEIGHT
65' UNIT						
*B24	60	60	#5	STR	21'-3"	1330
*S13	148	148	#5	2	7'-2"	1106
* EPOXY COATED REINFORCING STEEL				LBS.	2436	
CLASS AA CONCRETE				CU. YDS.	16.9	
TOTAL VERTICAL CONCRETE BARRIER RAIL				LN. FT.	130.25	

**GUTTERLINE ASPHALT THICKNESS & RAIL HEIGHT**

	ASPHALT OVERLAY THICKNESS @ MID-SPAN	RAIL HEIGHT @ MID-SPAN
65' UNITS	2 1/8"	3'-8 1/8"



1/2" EXP. JT. MAT'L HELD IN PLACE WITH GALVANIZED NAILS.  
(NOTE: OMIT EXP. JT. MAT'L WHEN SLIP FORM IS USED)



**GRADE 270 STRANDS**

AREA (SQ. INCHES)	0.6" Ø L.R.
0.217	
ULTIMATE STRENGTH (LBS. PER STRAND)	58,600
APPLIED PRESTRESS (LBS. PER STRAND)	43,950

**NOTES**

ALL PRESTRESSING STRANDS SHALL BE 7-WIRE LOW RELAXATION GRADE 270 STRANDS AND SHALL CONFORM TO AASHTO M203 EXCEPT FOR SAMPLING REQUIREMENTS WHICH SHALL BE IN ACCORDANCE WITH THE STANDARD SPECIFICATIONS.

ALL REINFORCING STEEL CAST WITH THE CORED SLAB SECTIONS SHALL BE GRADE 60 AND SHALL BE INCLUDED IN THE UNIT PRICE BID FOR PRESTRESSED CONCRETE CORED SLABS.

RECESSES FOR TRANSVERSE STRANDS SHALL BE GROUTED AFTER THE TENSIONING OF THE STRANDS.

THE 2 1/2" Ø DOWEL HOLES AT FIXED ENDS OF SLAB SECTIONS SHALL BE FILLED WITH NON-SHRINK GROUT.

THE BACKER RODS SHALL CONFORM TO THE REQUIREMENTS OF TYPE M BOND BREAKER. SEE SECTION 1028 OF THE STANDARD SPECIFICATIONS.

WHEN CORED SLABS ARE CAST, AN INTERNAL HOLD-DOWN SYSTEM SHALL BE EMPLOYED TO PREVENT VOIDS FROM RISING OR MOVING SIDEWAYS. AT LEAST SIX WEEKS PRIOR TO CASTING CORED SLABS, THE CONTRACTOR SHALL SUBMIT TO THE ENGINEER FOR REVIEW AND COMMENT, DETAILED DRAWINGS OF THE PROPOSED HOLD-DOWN SYSTEM. IN ADDITION TO STRUCTURAL DETAILS, LOCATION AND SPACING OF THE HOLD-DOWNS SHALL BE INDICATED.

THE TRANSFER OF LOAD FROM THE ANCHORAGES TO THE CORED SLAB UNIT SHALL BE DONE WHEN THE CONCRETE HAS REACHED A COMPRESSIVE STRENGTH OF NOT LESS THAN THE REQUIRED STRENGTH SHOWN IN THE "CONCRETE RELEASE STRENGTH" TABLE.

ALL REINFORCING STEEL IN VERTICAL CONCRETE BARRIER RAILS SHALL BE EPOXY COATED.

PRESTRESSING STRANDS SHALL BE CUT FLUSH WITH THE CORED SLAB UNIT ENDS.

APPLY EPOXY PROTECTIVE COATING TO CORED SLAB UNIT ENDS.

GROOVED CONTRACTION JOINTS, 1/2" IN DEPTH, SHALL BE TOOLED IN ALL EXPOSED FACES OF THE BARRIER RAIL AND IN ACCORDANCE WITH ARTICLE 825-10(B) OF THE STANDARD SPECIFICATIONS. A CONTRACTION JOINT SHALL BE LOCATED AT EACH THIRD POINT BETWEEN BARRIER RAIL EXPANSION JOINTS. ONLY ONE CONTRACTION JOINT IS REQUIRED AT MIDPOINT OF BARRIER RAIL SEGMENTS LESS THAN 20 FEET IN LENGTH AND NO CONTRACTION JOINTS ARE REQUIRED FOR THOSE SEGMENTS LESS THAN 10 FEET IN LENGTH.

FLAME CUTTING OF THE TRANSVERSE POST-TENSIONING STRAND IS NOT ALLOWED.

MAINTAIN A SYMMETRIC TENSION FORCE BETWEEN EACH PAIR OF TRANSVERSE POST TENSIONING STRANDS IN THE DIAPHRAGM.

THE #4 S11 STIRRUPS MAY BE SHIFTED AS NECESSARY TO MAINTAIN 1" CLEAR TO THE GROUTED RECESS.

FOR GROUT FOR STRUCTURES, SEE SPECIAL PROVISIONS.

THE PERMITTED THREADED INSERTS ARE DETAILED AS AN OPTION FOR THE CONTRACTOR TO ATTACH FALSEWORK AND FORMWORK DURING CONSTRUCTION.

THE PERMITTED THREADED INSERTS IN THE EXTERIOR UNITS SHALL BE SIZED BY THE CONTRACTOR, SPACED AT 4'-0" CENTERS AND GALVANIZED IN ACCORDANCE WITH SECTION 1076 OF THE STANDARD SPECIFICATIONS. STAINLESS STEEL THREADED INSERTS MAY BE USED AS AN ALTERNATE.

THE PERMITTED THREADED INSERTS SHALL BE GROUTED BY THE CONTRACTOR IMMEDIATELY FOLLOWING REMOVAL OF THE FALSEWORK.

THE COST OF THE PERMITTED THREADED INSERTS SHALL BE INCLUDED IN THE PRICE BID FOR THE PRECAST UNITS.

PROJECT NO. BR-0107  
IREDELL COUNTY  
STATION: 17+68.00 -L-  
SHEET 3 of 3



STATE OF NORTH CAROLINA  
DEPARTMENT OF TRANSPORTATION  
RALEIGH

**STANDARD  
3'-0" X 2'-0"  
PRESTRESSED CONCRETE  
CORED SLAB UNIT**

REVISIONS						SHEET NO.
NO.	BY:	DATE:	NO.	BY:	DATE:	S-07
1			3			TOTAL SHEETS 14
2			4			

ASSEMBLED BY : J.M. KEPICH DATE : 11/19  
CHECKED BY : L.M. SAMPLES DATE : 03/20

DRAWN BY : MAA 6/10  
CHECKED BY : MKT 7/10

REV. 5/18 MAA/THC

**ms consultants, inc.**  
5444 Wake Park Blvd.  
Suite 160  
Raleigh, NC 27607  
NC License Number : C-3239

DOCUMENT NOT CONSIDERED FINAL UNLESS ALL SIGNATURES COMPLETED