

HALF SECTION THROUGH VOIDS

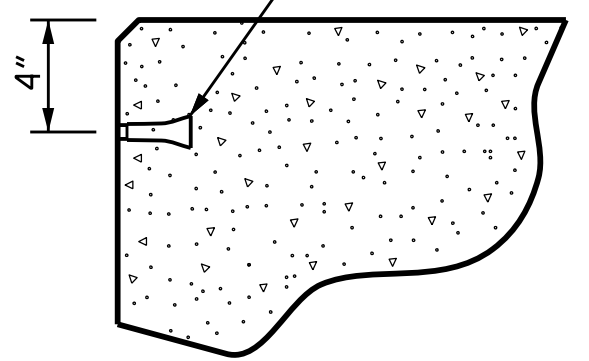
TYPICAL SECTION

HALF SECTION AT INTERMEDIATE DIAPHRAGMS

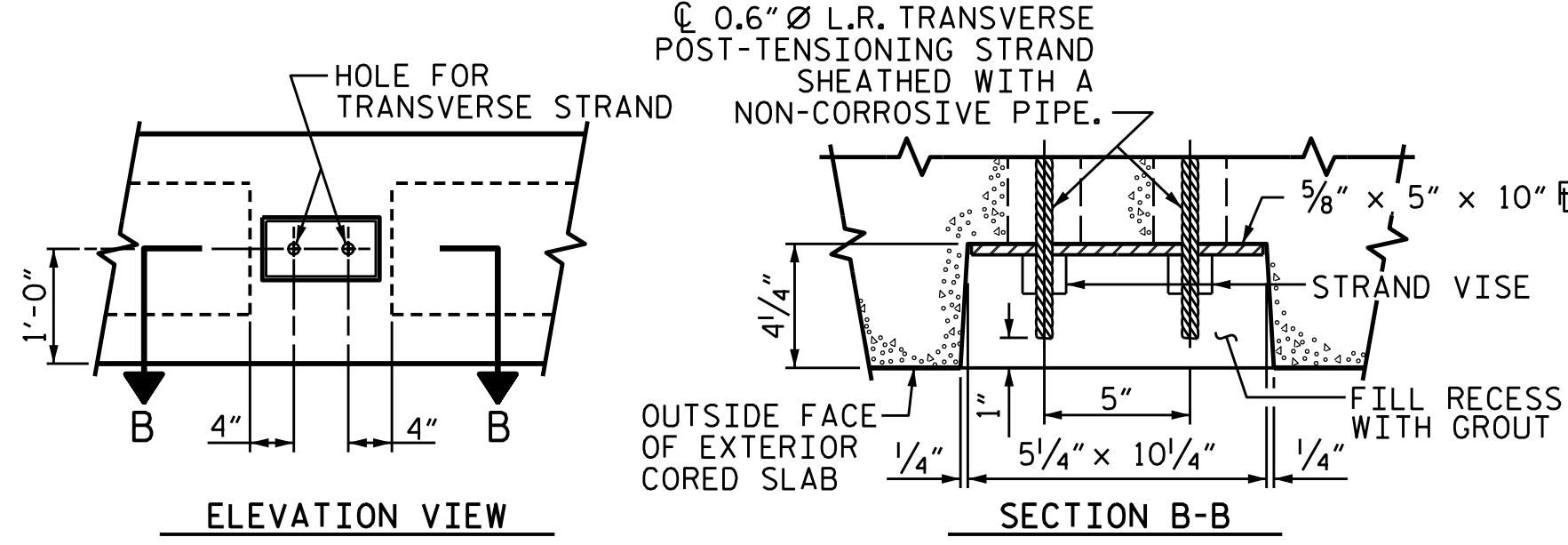
\* - THE MAXIMUM BARRIER RAIL HEIGHT AND ASPHALT THICKNESS IS SHOWN. THE HEIGHT OF THE BARRIER RAIL AND ASPHALT THICKNESS VARIES WHILE THE TOP OF THE BARRIER RAIL FOLLOWS THE PROFILE OF THE GUTTERLINE. FOR RAIL HEIGHT DETAILS AND ASPHALT THICKNESS, SEE THE "VERTICAL CONCRETE BARRIER RAIL SECTION" DETAIL.

FIXED END

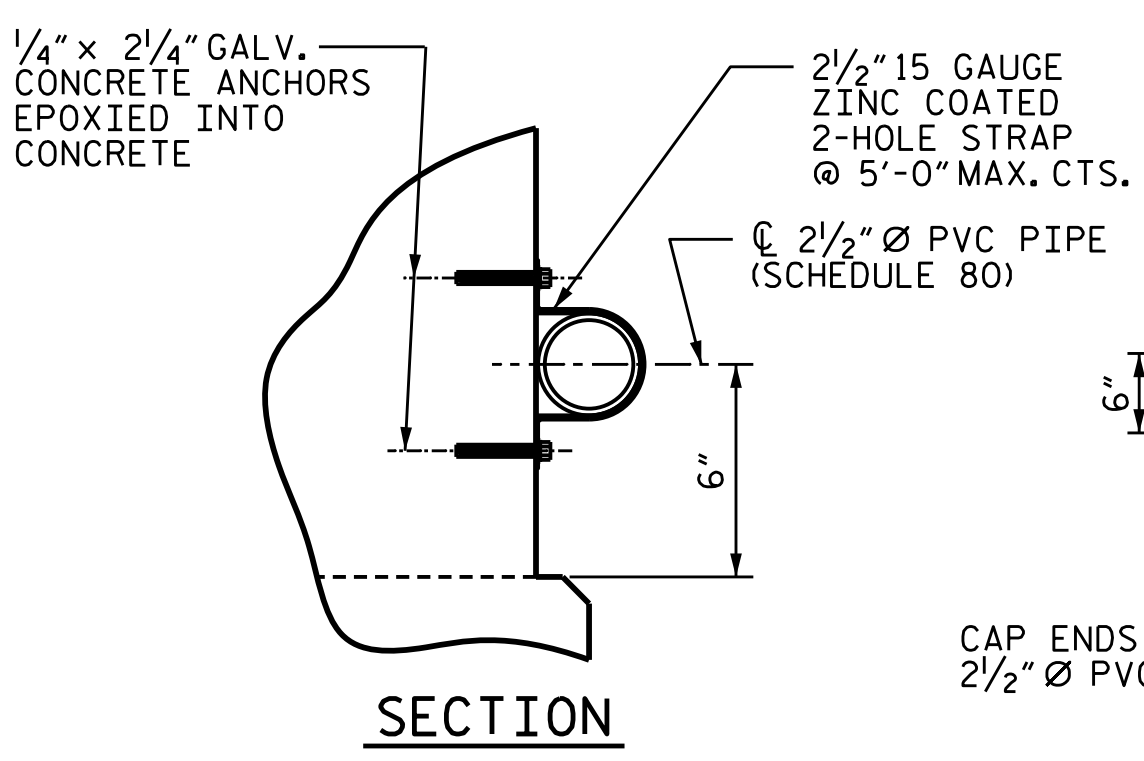
PERMITTED THREADED INSERT CAST IN OUTSIDE FACE OF EXTERIOR UNIT AND RECESSED 3/8" SIZE TO BE DETERMINED BY CONTRACTOR.



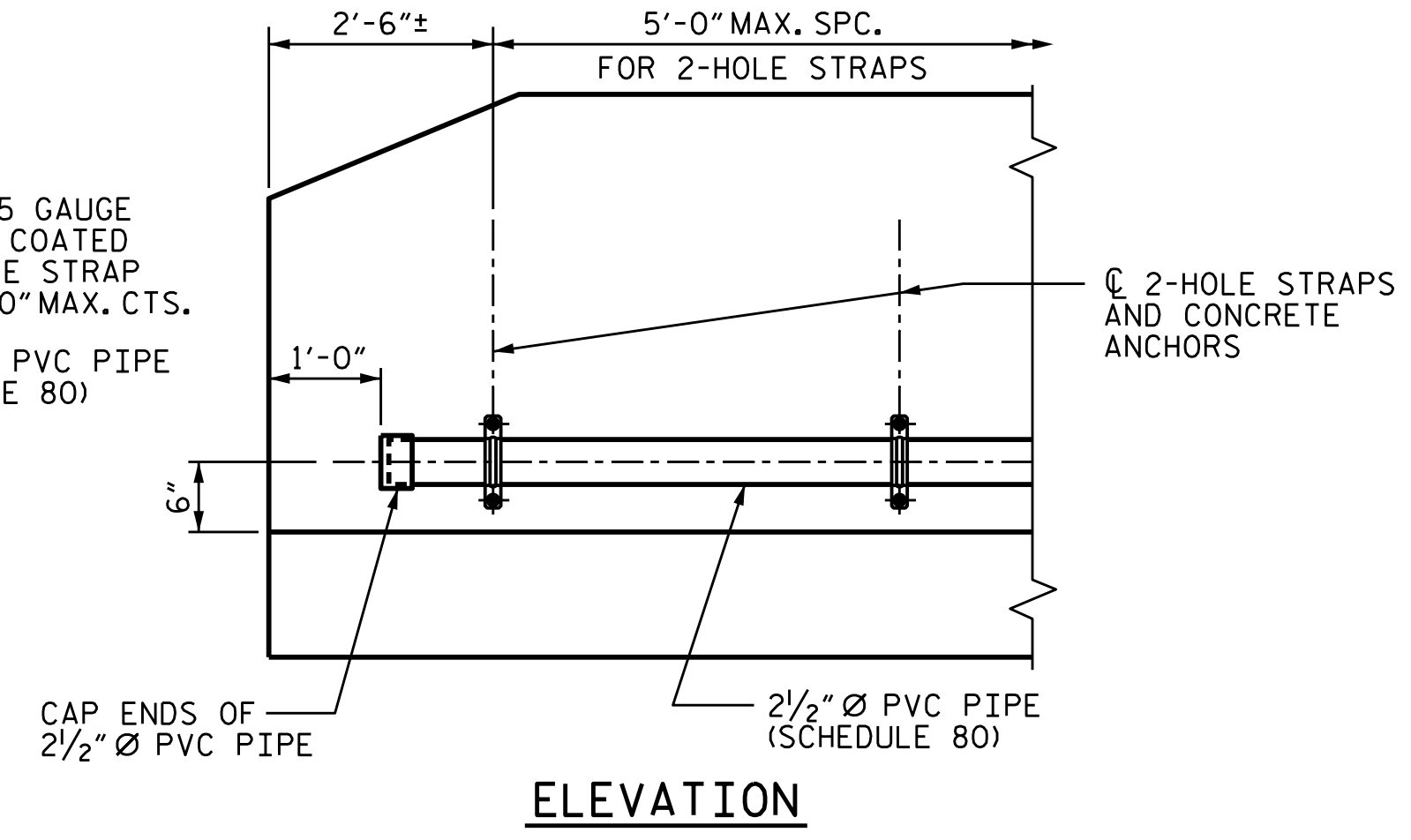
THREADED INSERT DETAIL



GROUTED RECESS AT END OF POST-TENSIONED STRAND CORED SLABS



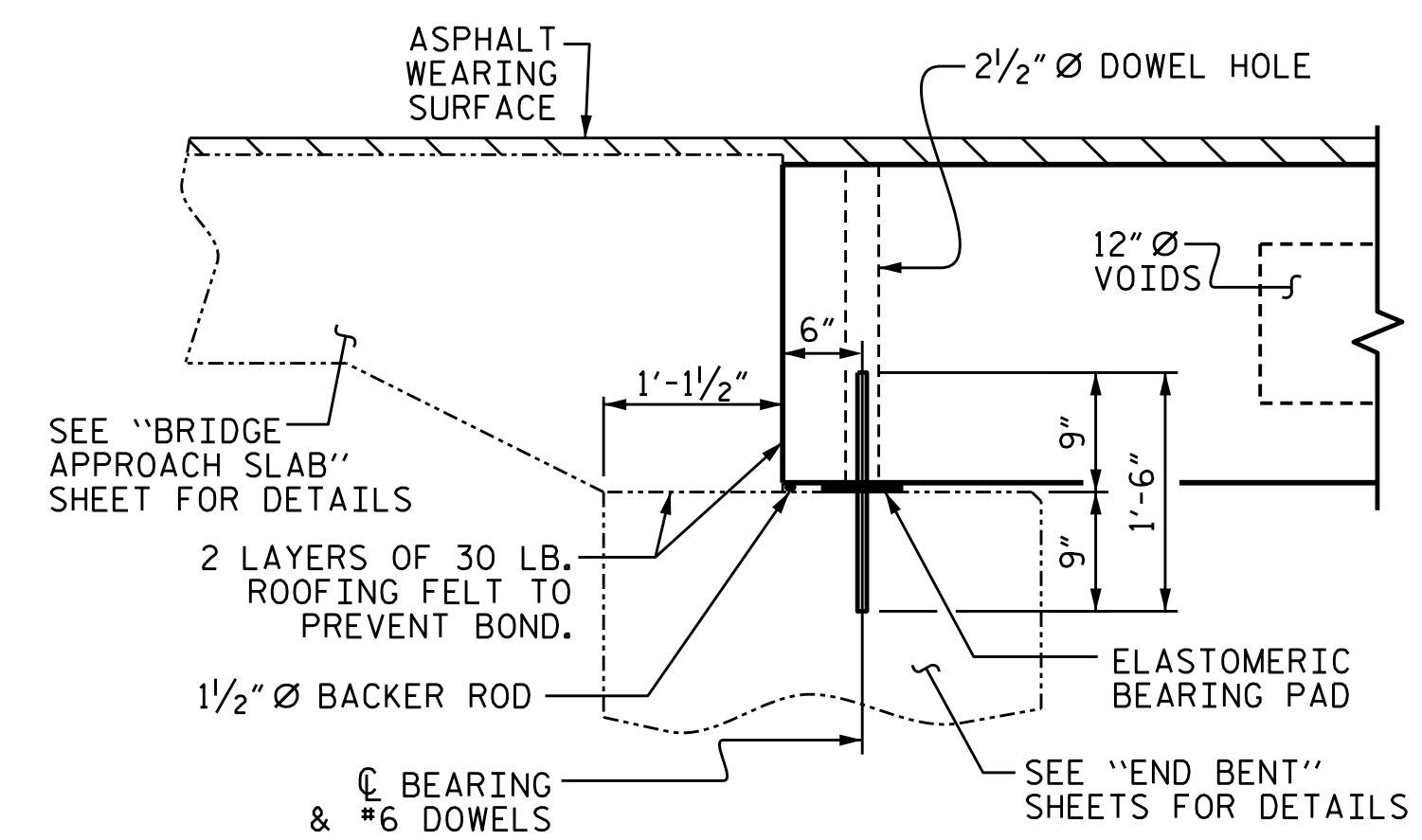
SECTION



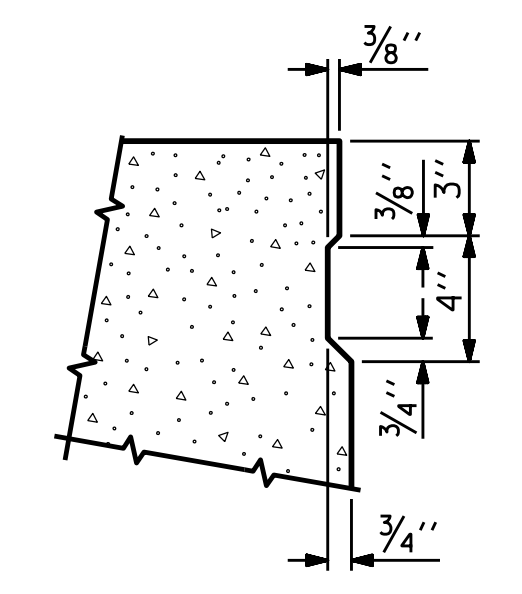
ELEVATION

FIBER OPTIC CONDUIT SYSTEM DETAILS

2 1/2" SCHEDULE 80 PVC PIPE ATTACHED TO THE BACK OF BOTH RAILS FOR FUTURE FIBER OPTIC CABLE.

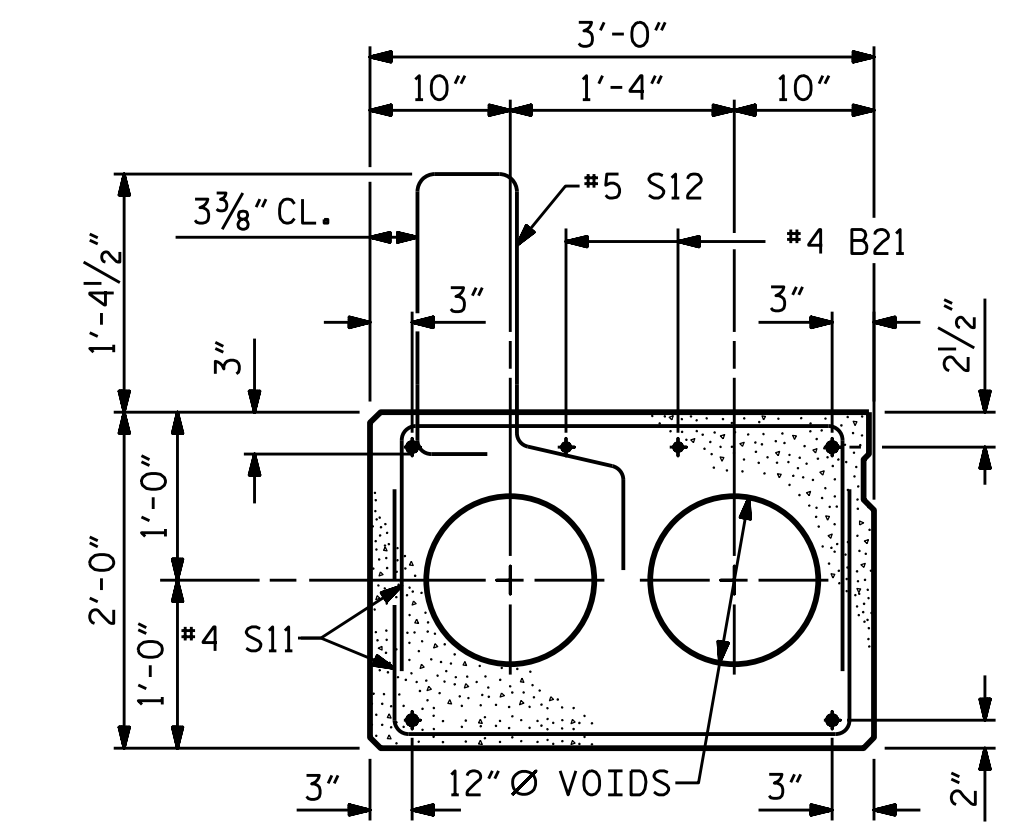


SECTION AT END BENT



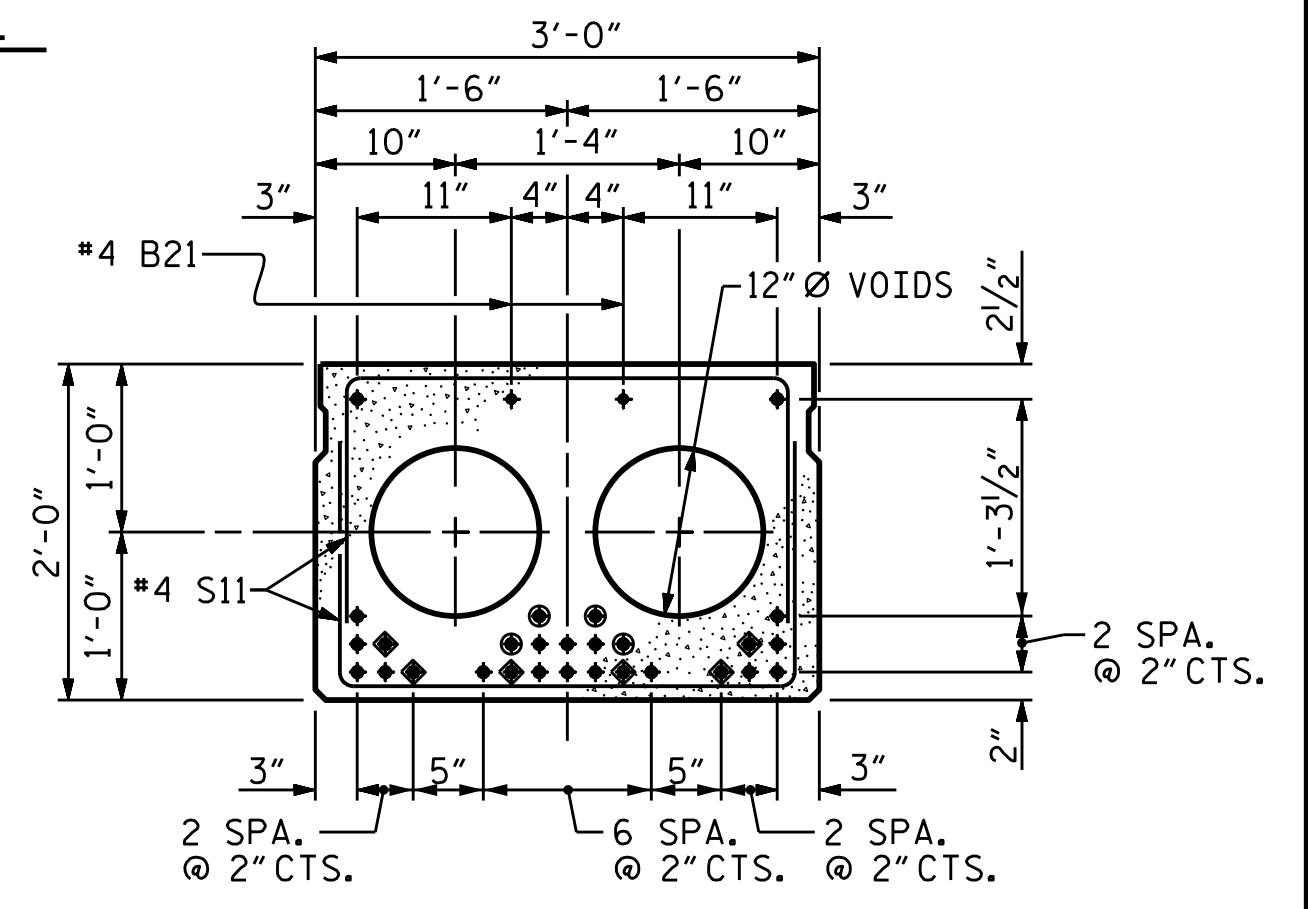
SHEAR KEY DETAIL

NOTE: OMIT SHEAR KEY ON OUTSIDE FACE OF EXTERIOR CORED SLABS.



EXTERIOR SLAB SECTION

(FOR PRESTRESSED STRAND LAYOUT, SEE INTERIOR SLAB SECTION.)



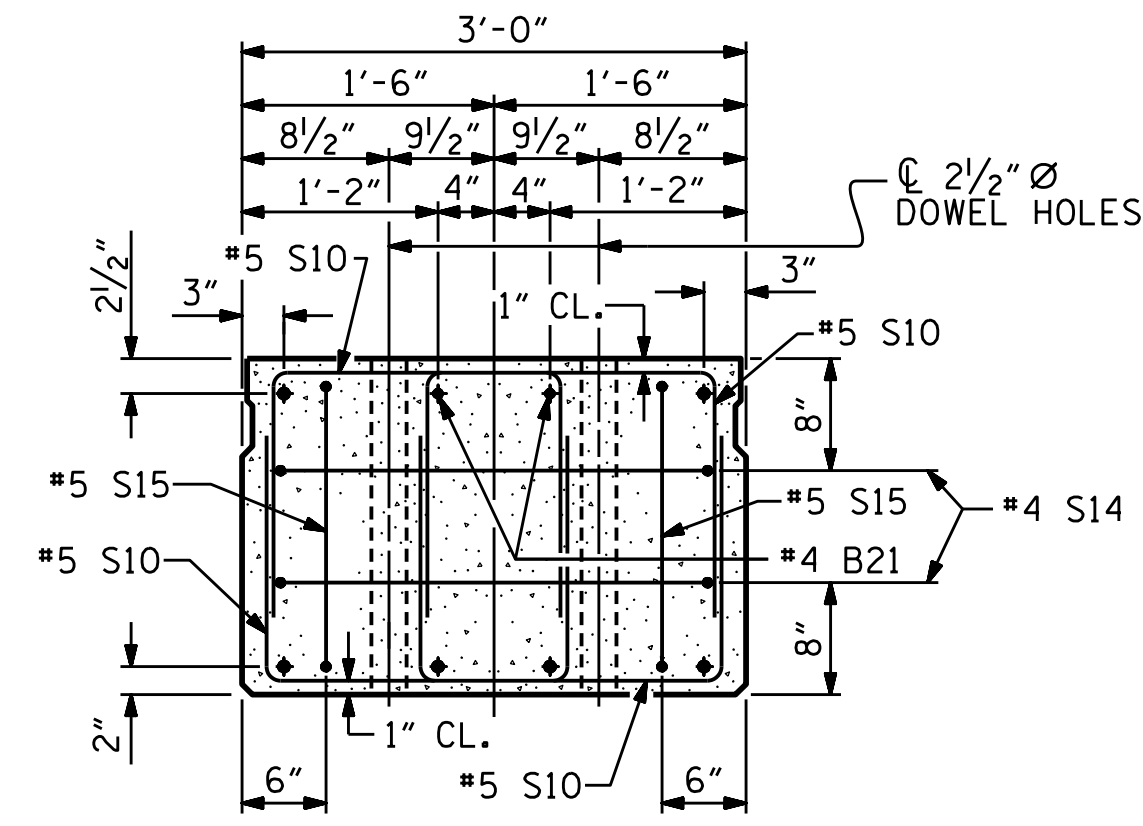
INTERIOR SLAB SECTION

(24 STRANDS REQUIRED)

0.6" Ø LOW RELAXATION STRAND LAYOUT

- ◆ BOND SHALL BE BROKEN ON THESE STRANDS FOR A DISTANCE OF 12'-0" FROM END OF CORED SLAB UNIT. SEE STANDARD SPECIFICATIONS, ARTICLE 1078-7.
- OPTIONAL FULL LENGTH DEBONDED STRANDS. THESE STRANDS ARE NOT REQUIRED. IF THE FABRICATOR CHOOSES TO INCLUDE THESE STRANDS IN THE CORED SLAB UNIT, THE STRANDS SHALL BE DEBONDED FOR THE FULL LENGTH OF THE UNIT AT NO ADDITIONAL COST. SEE STANDARD SPECIFICATIONS, ARTICLE 1078-7.

DEBONDING LEGEND

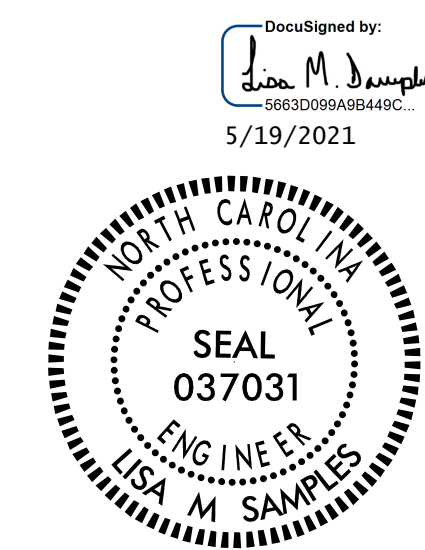


END ELEVATION

SHOWING PLACEMENT OF DOUBLE STIRRUPS AND LOCATION OF DOWEL HOLES. (STRAND LAYOUT NOT SHOWN.) INTERIOR SLAB UNIT SHOWN-EXTERIOR SLAB UNIT SIMILAR EXCEPT SHEAR KEY LOCATION.

PROJECT NO. BR-0107  
IREDELL COUNTY  
STATION: 17+68.00 -L-

SHEET 1 of 3



STATE OF NORTH CAROLINA  
DEPARTMENT OF TRANSPORTATION  
RALEIGH  
STANDARD  
3'-0" X 2'-0"  
PRESTRESSED CONCRETE  
CORED SLAB UNIT

ASSEMBLED BY : J.M. KEPICH	DATE : 11/19
CHECKED BY : L.M. SAMPLES	DATE : 03/20
DRAWN BY : MAA 6/10	REV. 8/14
CHECKED BY : MKT 7/10	MAA/TMG

ms consultants, inc.  
5444 Wake Park Blvd.  
Suite 160  
Raleigh, NC 27607  
NC License Number : C-3239

DOCUMENT NOT CONSIDERED FINAL UNLESS ALL SIGNATURES COMPLETED

REVISIONS						SHEET NO.
NO.	BY:	DATE:	NO.	BY:	DATE:	S-05
1			3			TOTAL SHEETS 14
2			4			