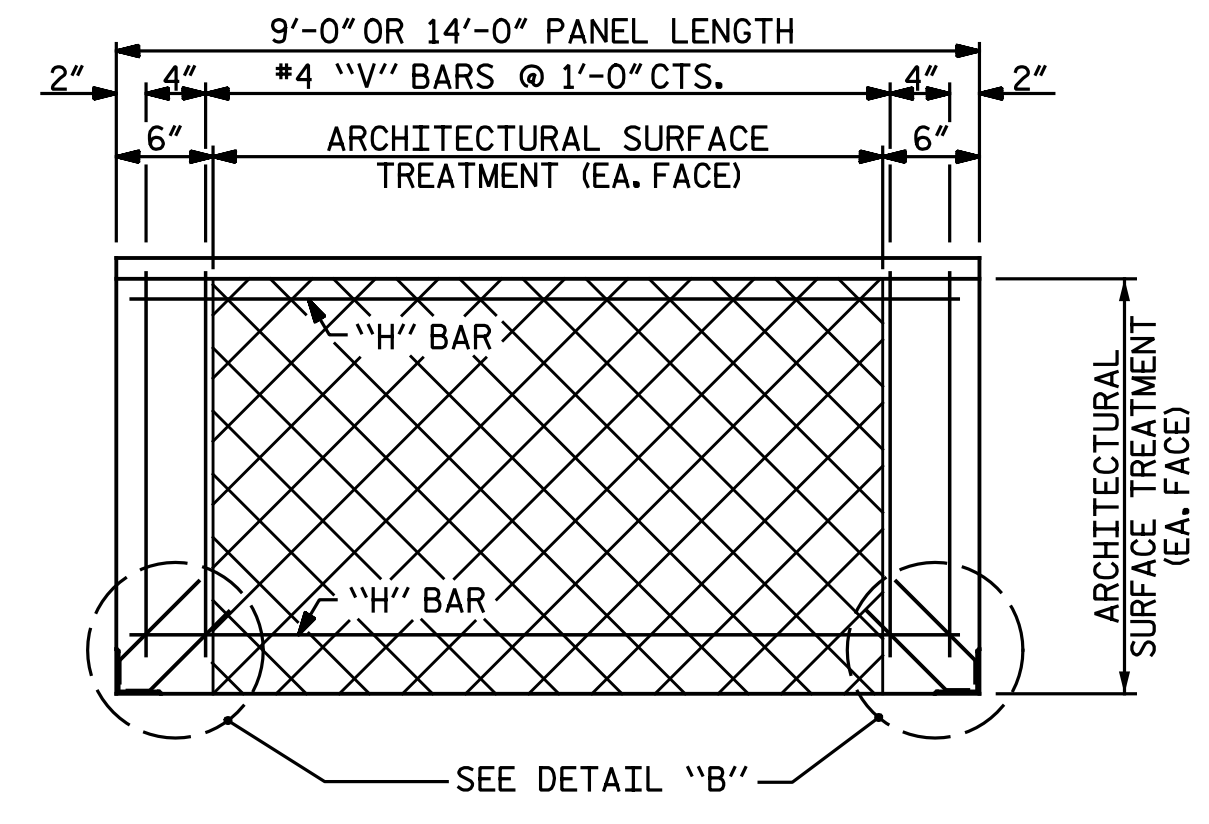
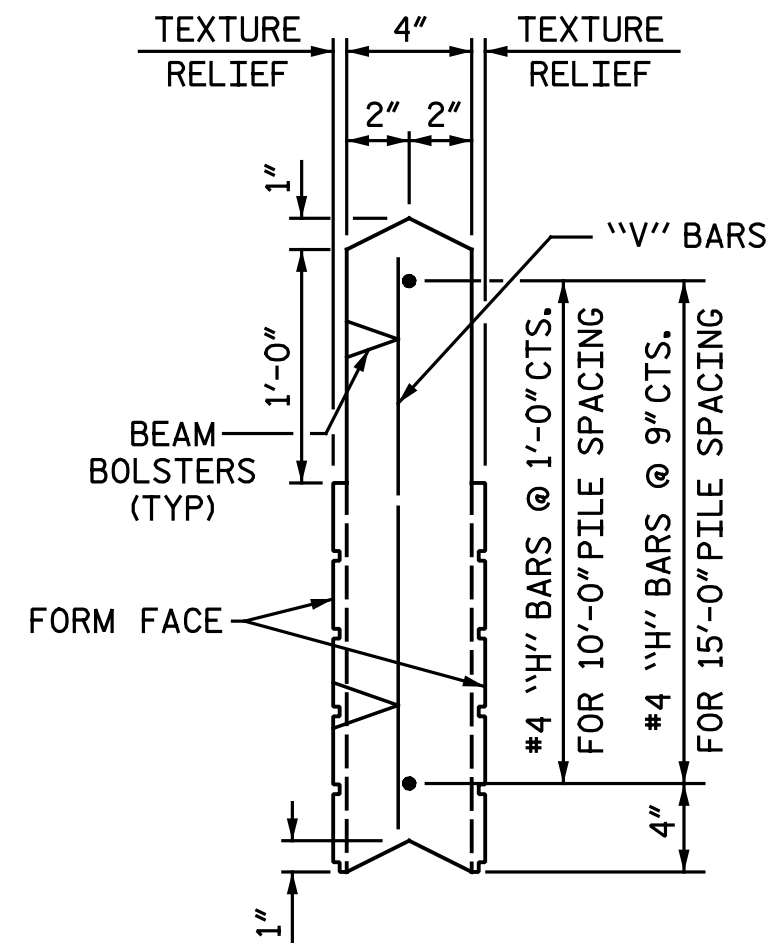


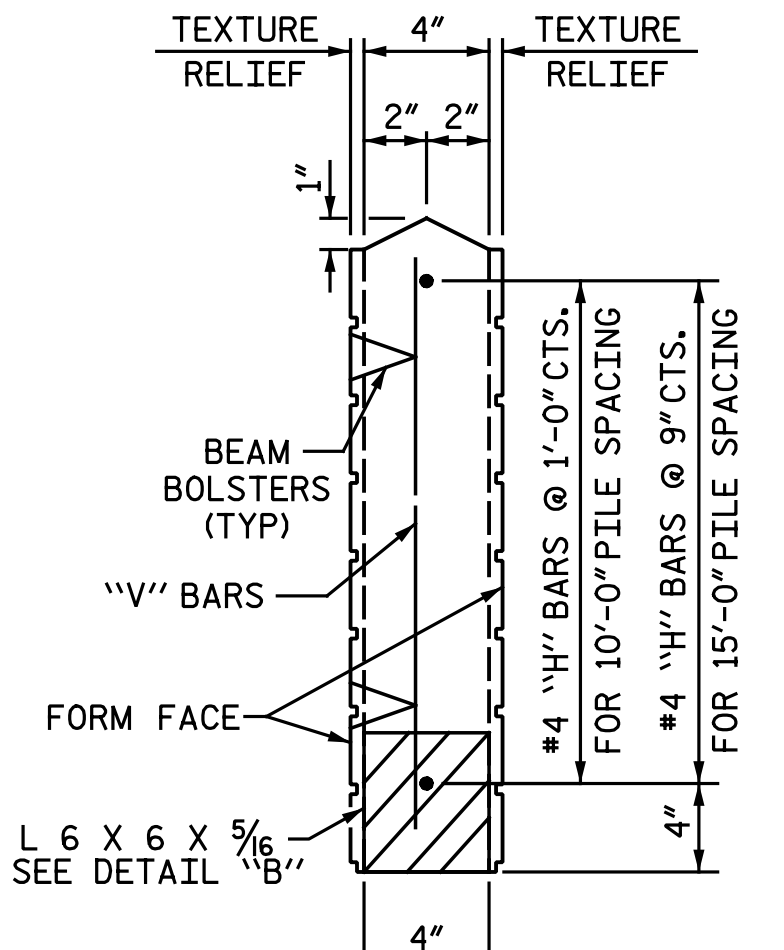
FRONT ELEVATION OF UPPER PRECAST PANEL



FRONT ELEVATION OF BOTTOM PRECAST PANEL

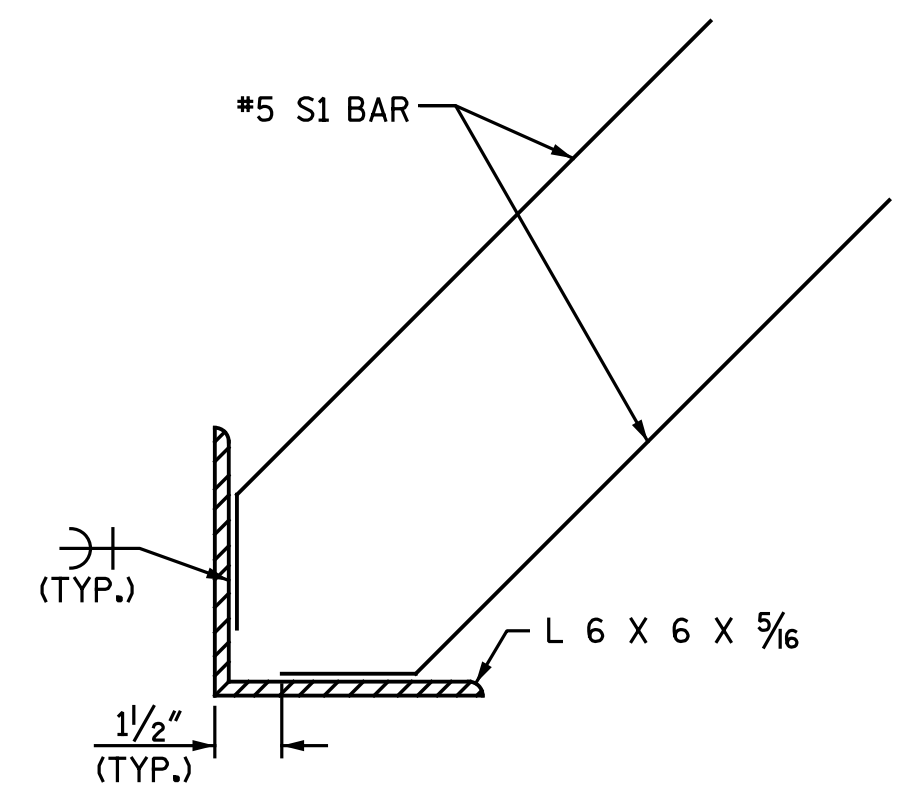


UPPER PANEL



BOTTOM PANEL

SECTION THROUGH PRECAST PANELS



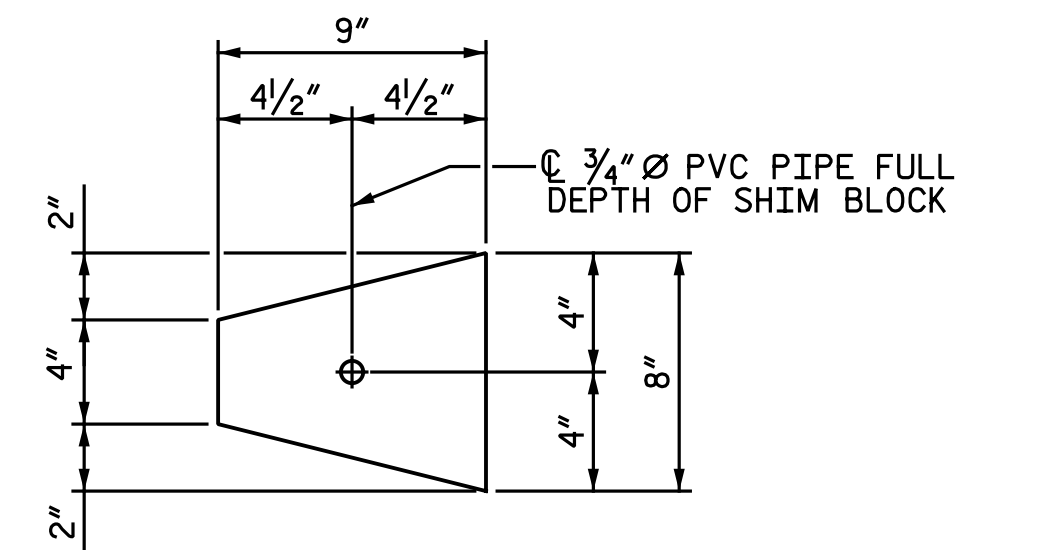
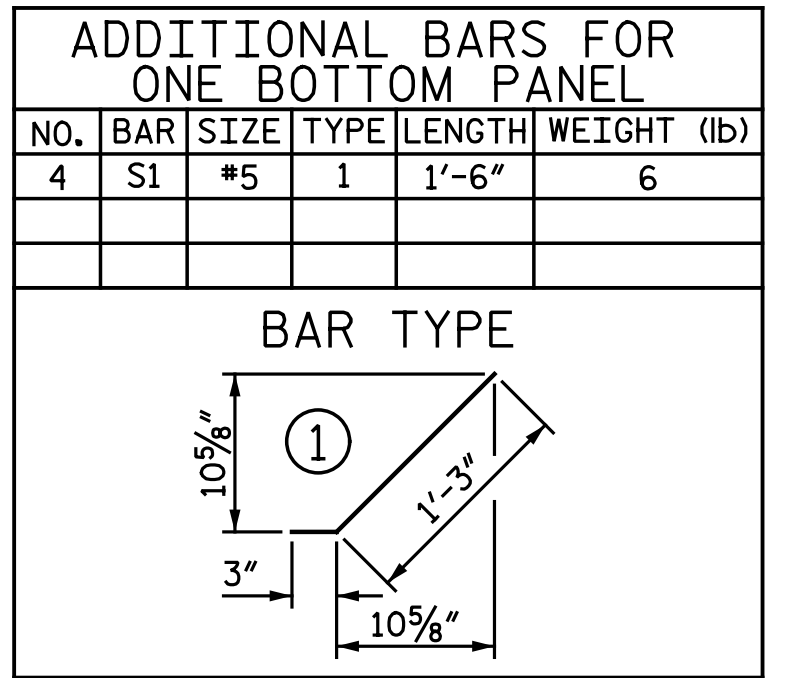
DETAIL "B"

QUANTITIES FOR ONE PRECAST PANEL (FOR 10'-0" PILE SPACING)

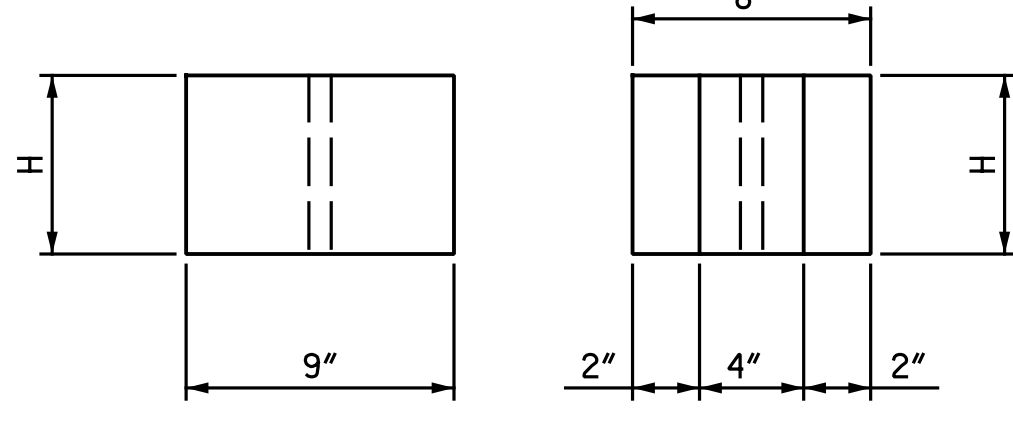
PANEL HEIGHT	CLASS AA CONCRETE C.Y.	BAR TYPES											
		HORIZONTAL					VERTICAL						
		NO.	BAR SIZE	TYPE	LENGTH	WEIGHT (lb)	NO.	BAR SIZE	TYPE	LENGTH	WEIGHT (lb)		
2'-0"	0.22	3	H1	#4	STR	8'-8"	17	11	V1	#4	STR	1'-8"	12
3'-0"	0.33	4	H2	#4	STR	8'-8"	23	11	V2	#4	STR	2'-8"	20
4'-0"	0.44	5	H3	#4	STR	8'-8"	29	11	V3	#4	STR	3'-8"	27

QUANTITIES FOR ONE PRECAST PANEL (FOR 15'-0" PILE SPACING)

PANEL HEIGHT	CLASS AA CONCRETE C.Y.	BAR TYPES											
		HORIZONTAL					VERTICAL						
		NO.	BAR SIZE	TYPE	LENGTH	WEIGHT (lb)	NO.	BAR SIZE	TYPE	LENGTH	WEIGHT (lb)		
3'-0"	0.52	5	H1	#4	STR	13'-8"	46	16	V1	#4	STR	2'-8"	29
4'-0"	0.69	6	H2	#4	STR	13'-8"	55	16	V2	#4	STR	3'-8"	39
5'-0"	0.86	7	H3	#4	STR	13'-8"	64	16	V3	#4	STR	4'-8"	50
6'-0"	1.04	8	H4	#4	STR	13'-8"	73	16	V4	#4	STR	5'-8"	61



PLAN

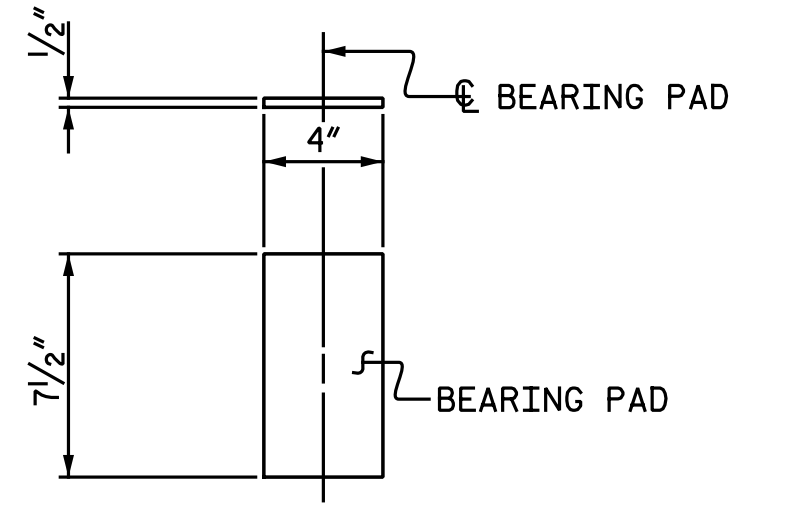


ELEVATION

END

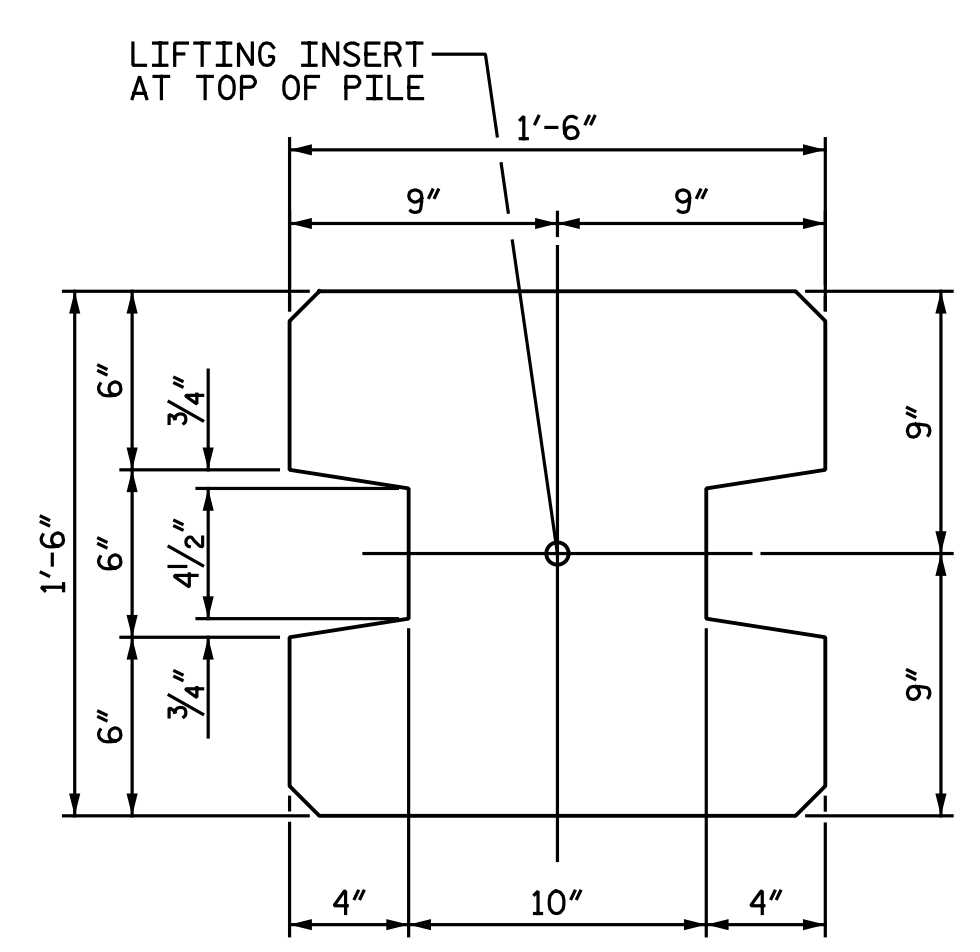
CONCRETE SHIM BLOCK

H = 3", 6" or 1'-0"

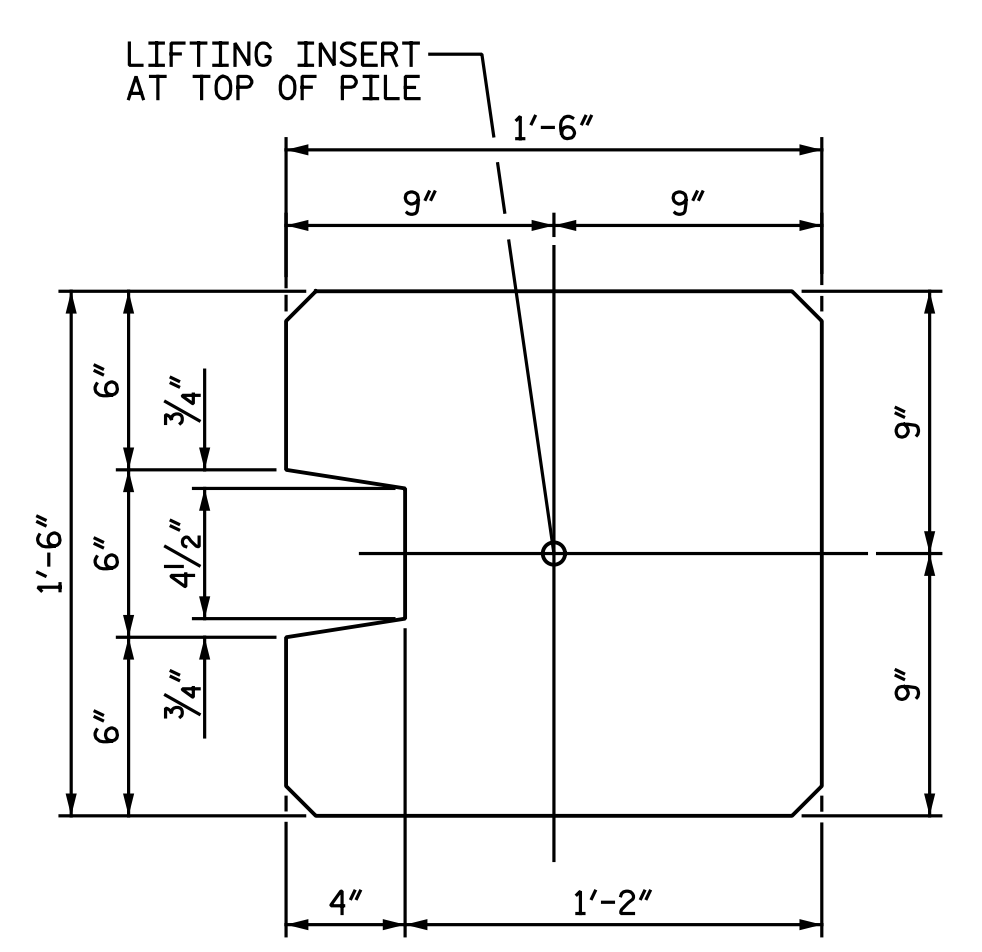


ELASTOMERIC BEARING DETAILS

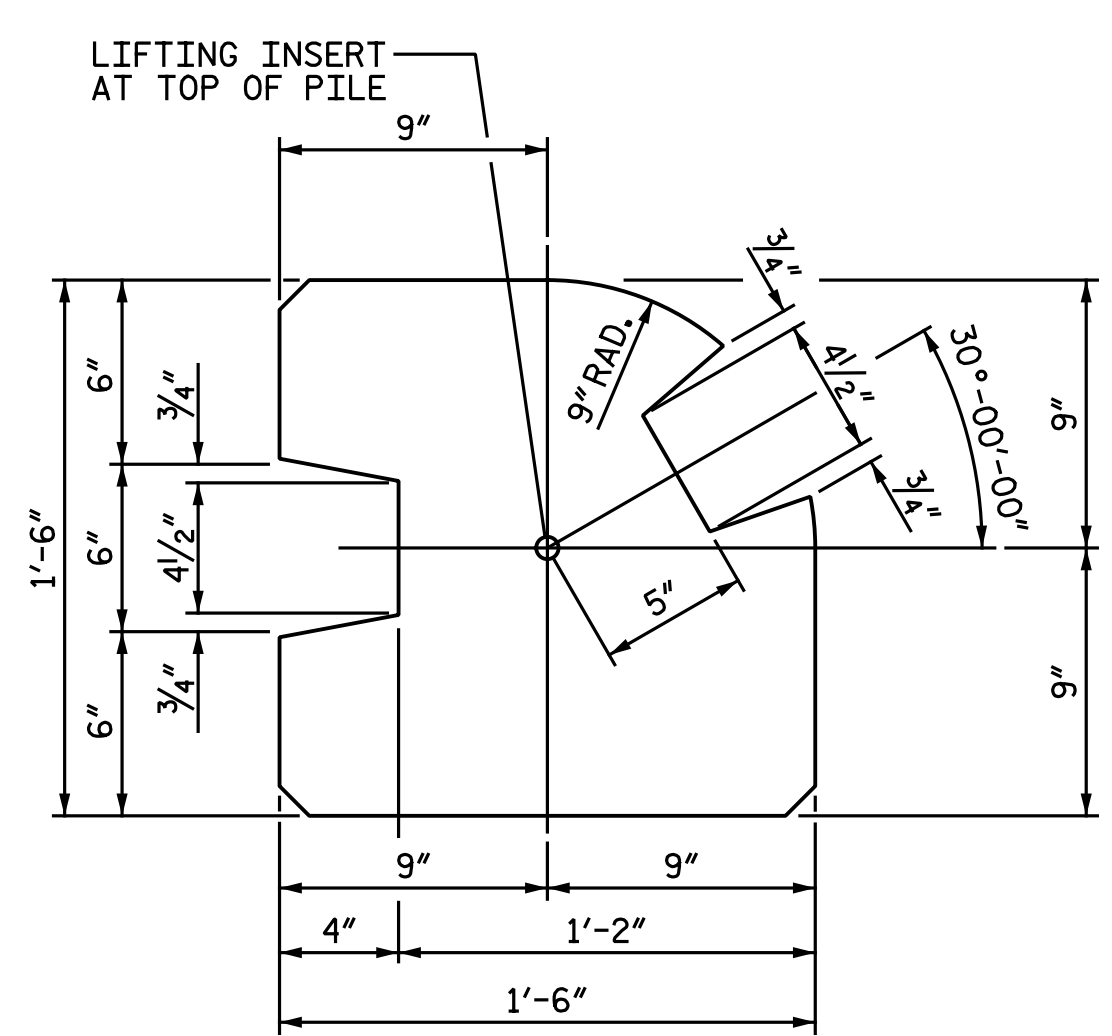
ELASTOMER IN BEARINGS SHALL BE 50 DUROMETER HARDNESS.



TYPE - I  
(AREA = 1.9444 SQ. FT.)

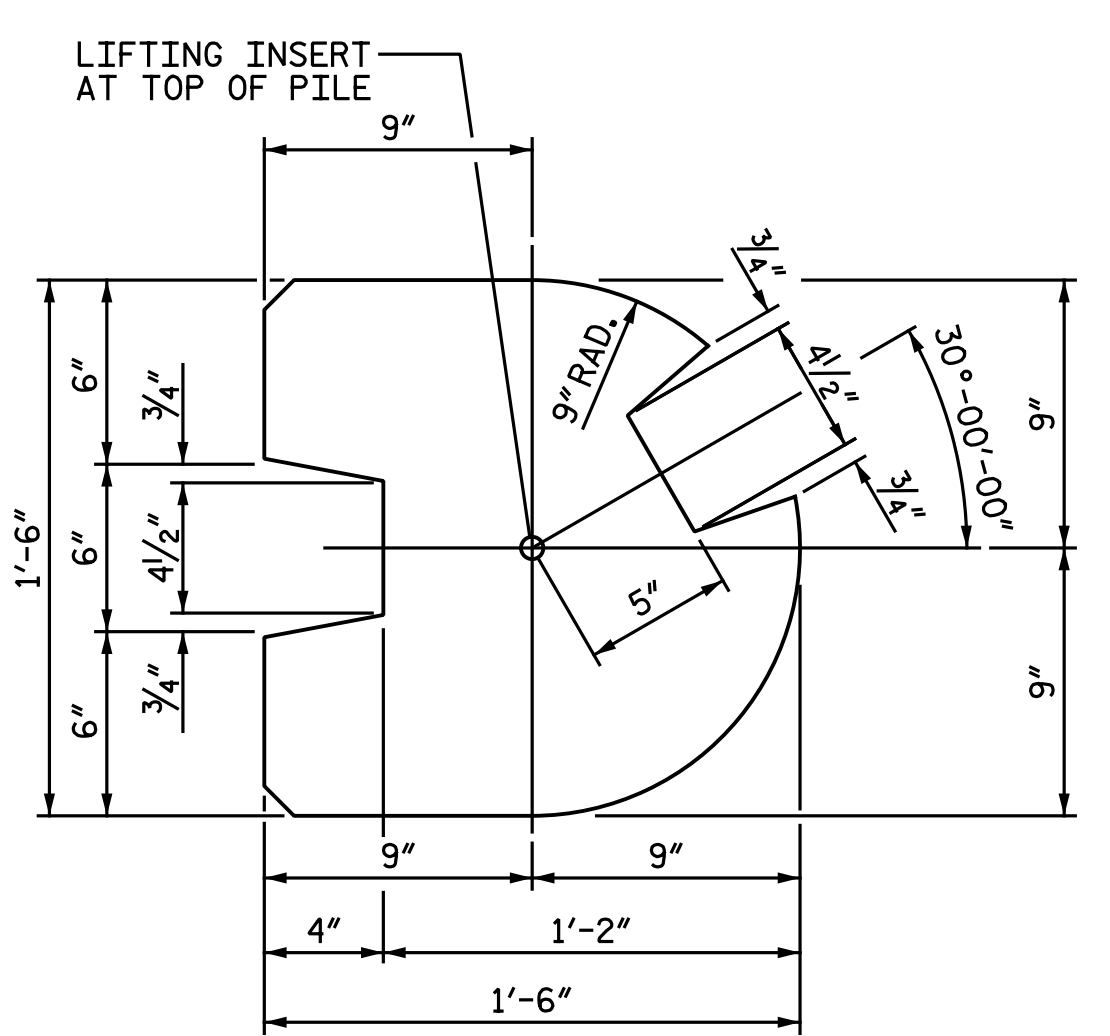


TYPE - II  
(AREA = 2.0903 SQ. FT.)



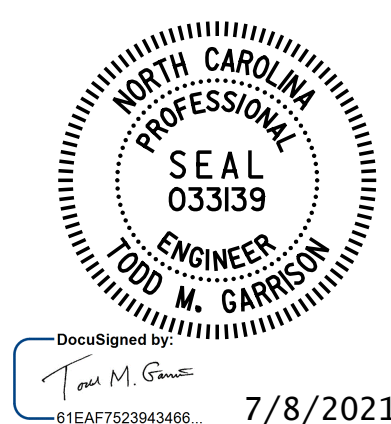
TYPE - III  
(AREA = 1.8336 SQ. FT.)

PILE DETAIL  
(ALL CORNERS TO BE CHAMFERED 1")



TYPE - III (ALT.)  
(AREA = 1.7163 SQ. FT.)

PROJECT NO. I-5986B  
HARNETT & JOHNSTON COUNTY  
STATION: 10+00.00 NW32-1  
10+00.00 NW33-1  
SHEET 3 OF 4



DOCUMENT NOT CONSIDERED FINAL UNLESS ALL SIGNATURES COMPLETED

**Michael Baker International**  
Michael Baker Engineering  
8000 Regency Parkway, Suite 600  
Cary, North Carolina 27518  
NC License No.: F-1084

STATE OF NORTH CAROLINA DEPARTMENT OF TRANSPORTATION RALEIGH					
STANDARD SOUND BARRIER WALL DETAILS					
REVISIONS					
NO.	BY:	DATE:	NO.	BY:	DATE:
1			3		
2			4		

SHEET NO. NW-3  
TOTAL SHEETS 4

ASSEMBLED BY : N. B. SPEAKS	DATE : 7-8-21
CHECKED BY : V. A. PATEL	DATE : 7-8-21
DRAWN BY : MAA 6/11	REV. 1/15/14 RWW/TMG
CHECKED BY : GM 6/11	REV. 10/17 MAA/THC
	REV. 5/18 MAA/THC