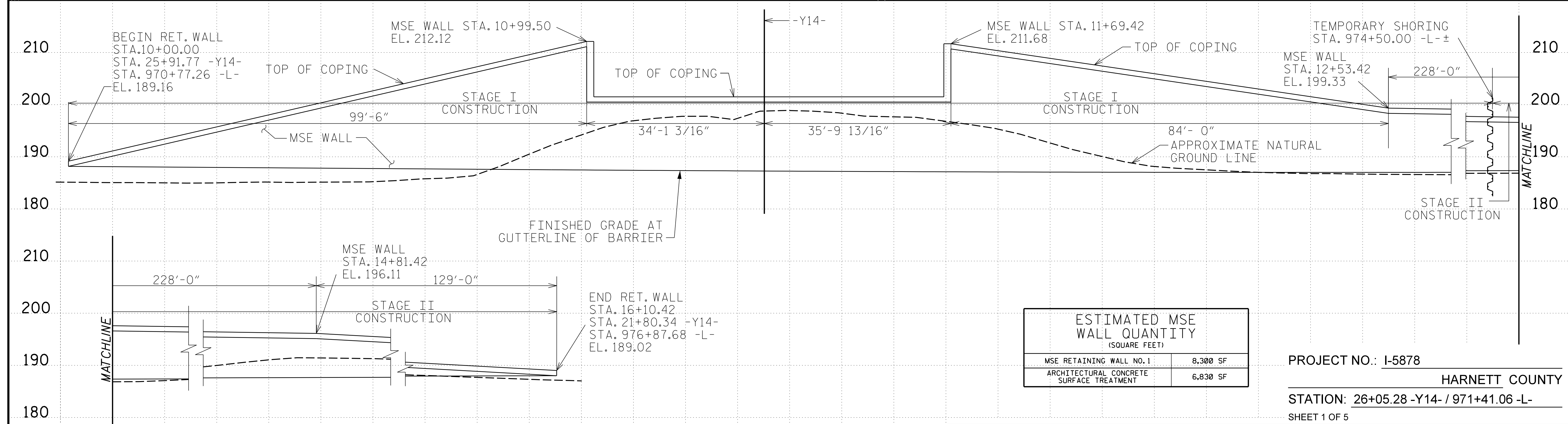


GEOTECHNICAL ENGINEER  
 ENGINEER  
  
 DocuSigned by:  
 Kristen Hill  
 5/12/2021  
 SIGNATURE DATE SIGNATURE DATE



PREPARED BY: KHH	DATE: 3/12/20
REVIEWED BY: SEM	DATE: 3/12/20

9751 SOUTHERN PINE BLVD  
 CHARLOTTE, NC 28273  
 (704) 523-4726

PROJECT NO.: I-5878  
 HARNETT COUNTY  
 STATION: 26+05.28 -Y14- / 971+41.06 -L-  
 SHEET 1 OF 5

**MSE RETAINING WALL NO. 1 WALL ENVELOPES**

REVISIONS						SHEET NO.
NO.	BY	DATE	NO.	BY	DATE	
1			3			W-1
2			4			