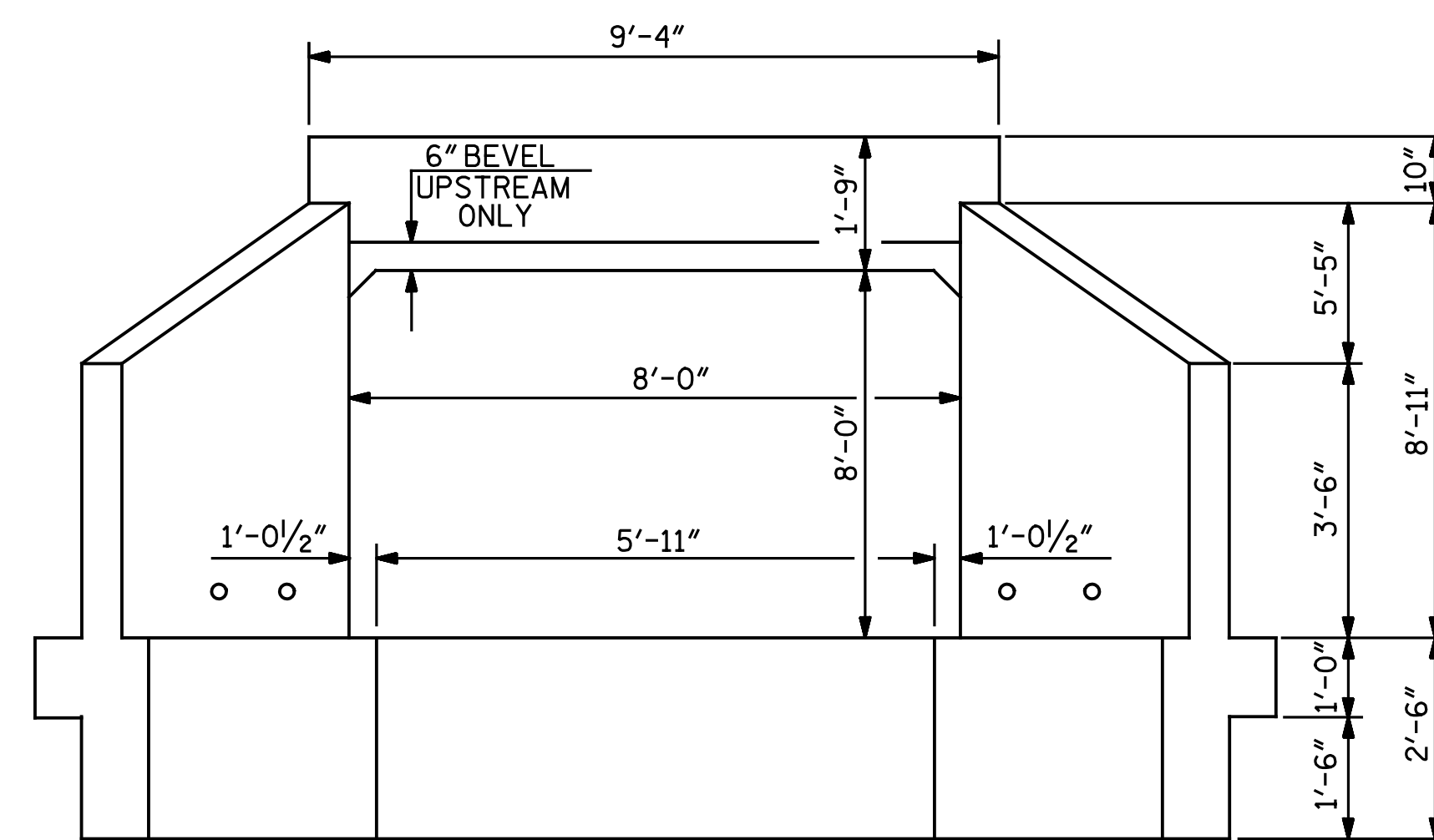
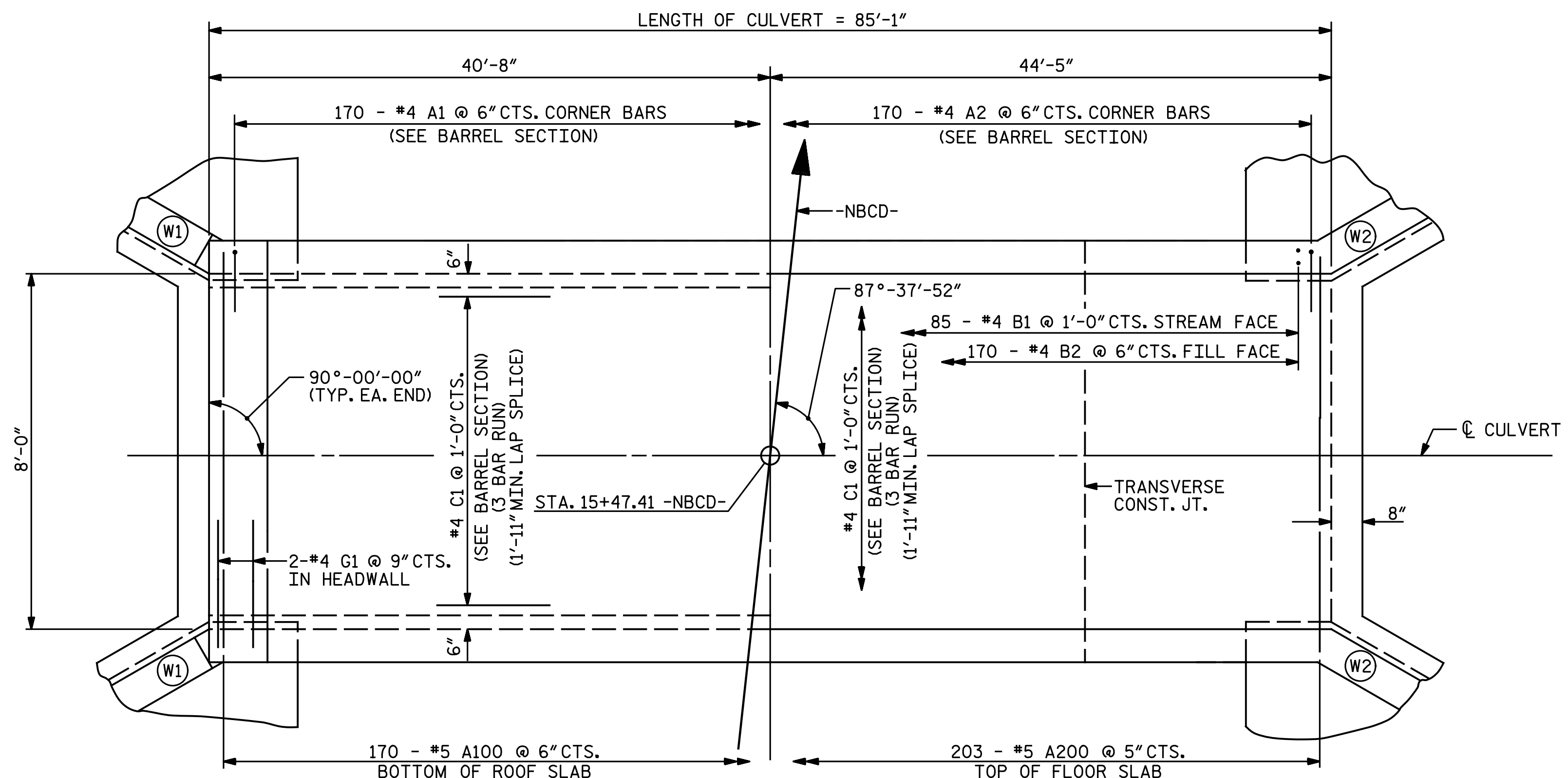


CULVERT SECTION NORMAL TO -NBCD-



END ELEVATION
(INLET END OF CULVERT SHOWN)



PART PLAN ROOF SLAB

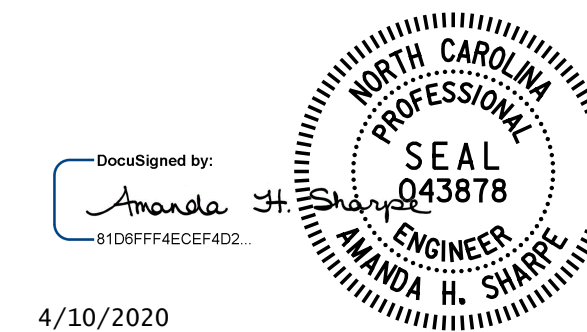
PART PLAN FLOOR SLAB

PROJECT NO. I-5878
HARNETT COUNTY
 STATION: 15+47.41 -NBCD-

SHEET 2 OF 3

STATE OF NORTH CAROLINA
 DEPARTMENT OF TRANSPORTATION
 RALEIGH

SINGLE 8 FT. X 8 FT.
 CONCRETE BOX CULVERT
 87°-37'-52" SKEW



4/10/2020

DOCUMENT NOT CONSIDERED FINAL
 UNLESS ALL SIGNATURES COMPLETED

Michael Baker International
 Michael Baker Engineering
 8000 Regency Parkway, Suite 600
 Cary, North Carolina 27518
 NC License No.: F-1084

REVISIONS						SHEET NO.
NO.	BY:	DATE:	NO.	BY:	DATE:	CI-2
1			3			TOTAL SHEETS
2			4			6

DRAWN BY : N. B. SPEAKS DATE : 1-31-20
 CHECKED BY : A. H. SHARPE DATE : 4-7-20