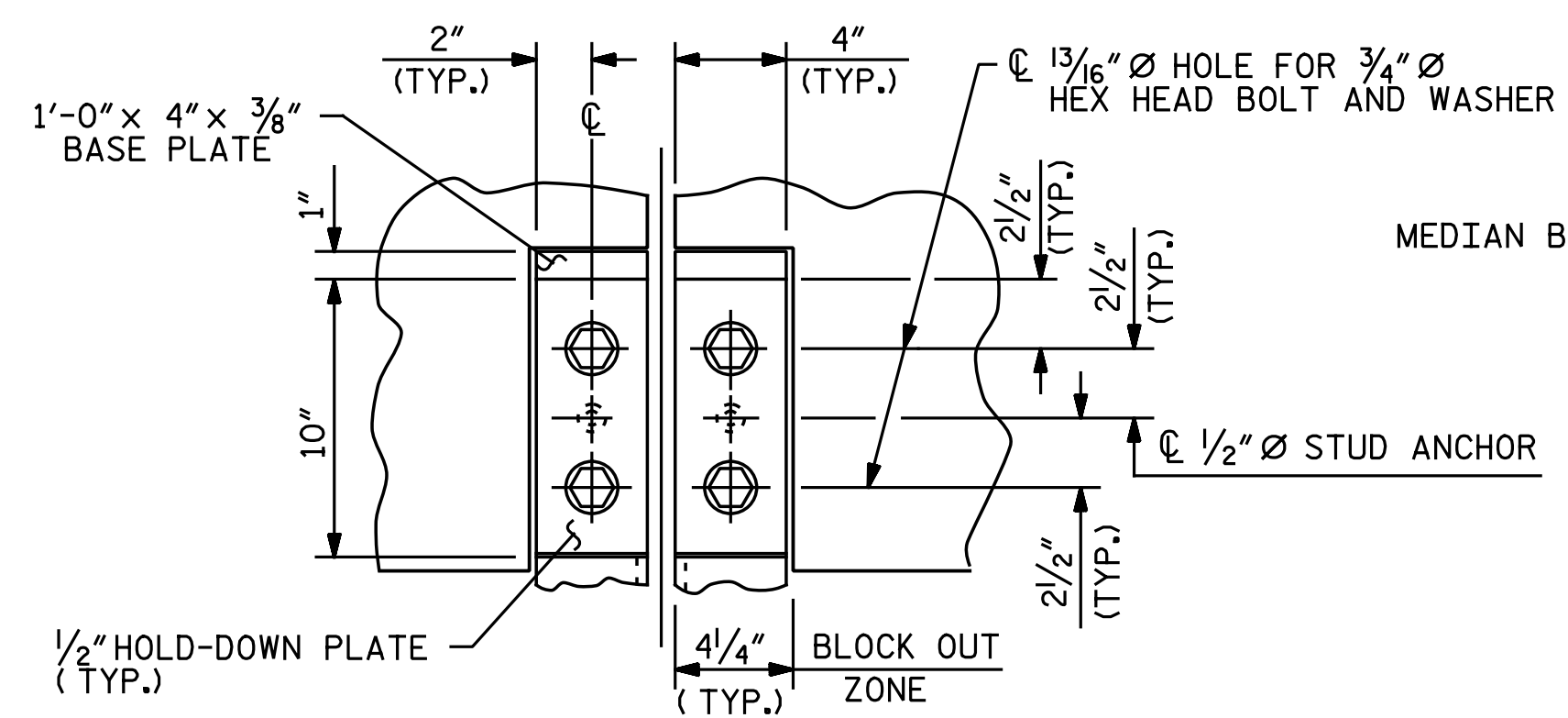
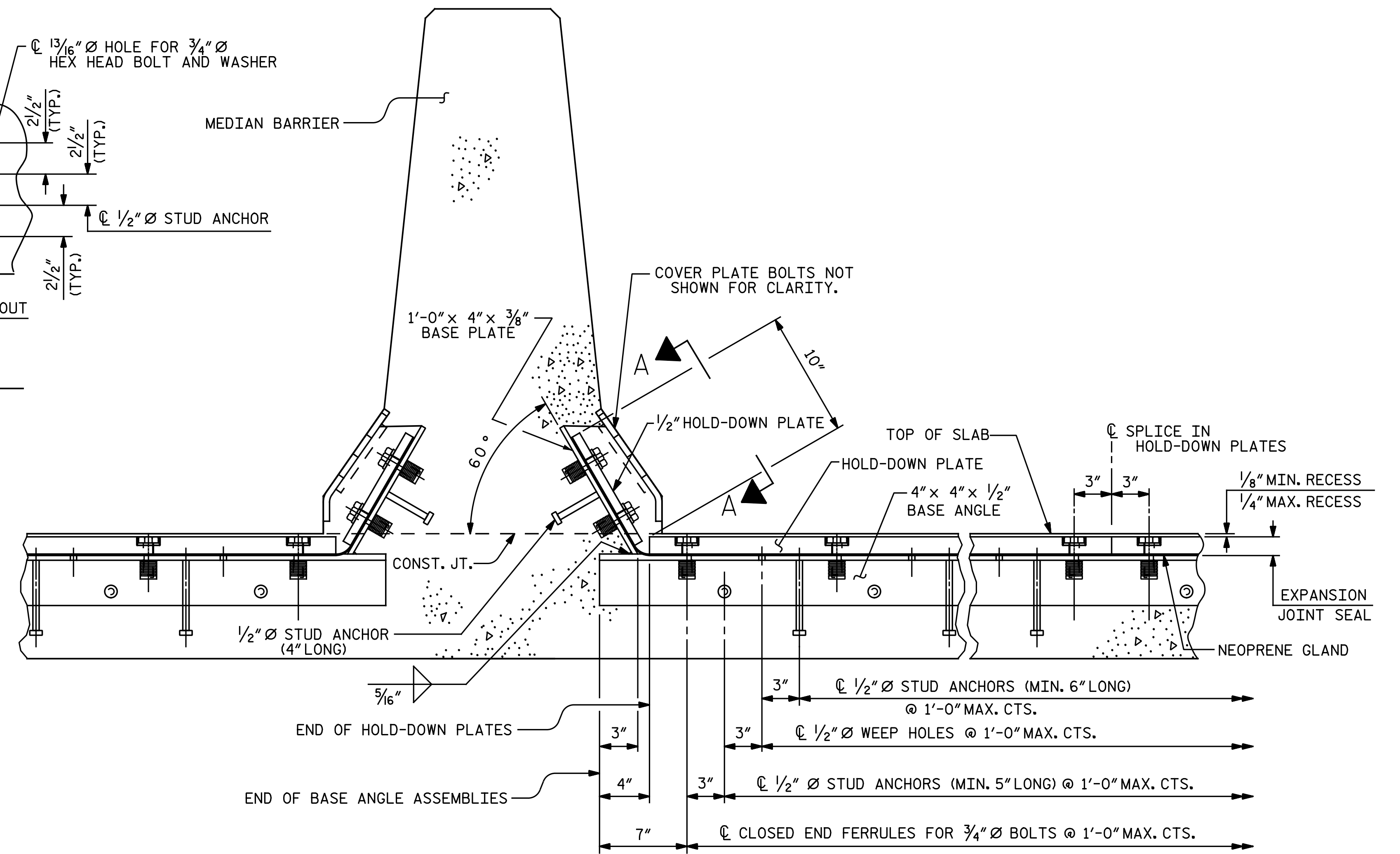


BLOCK OUT DETAIL

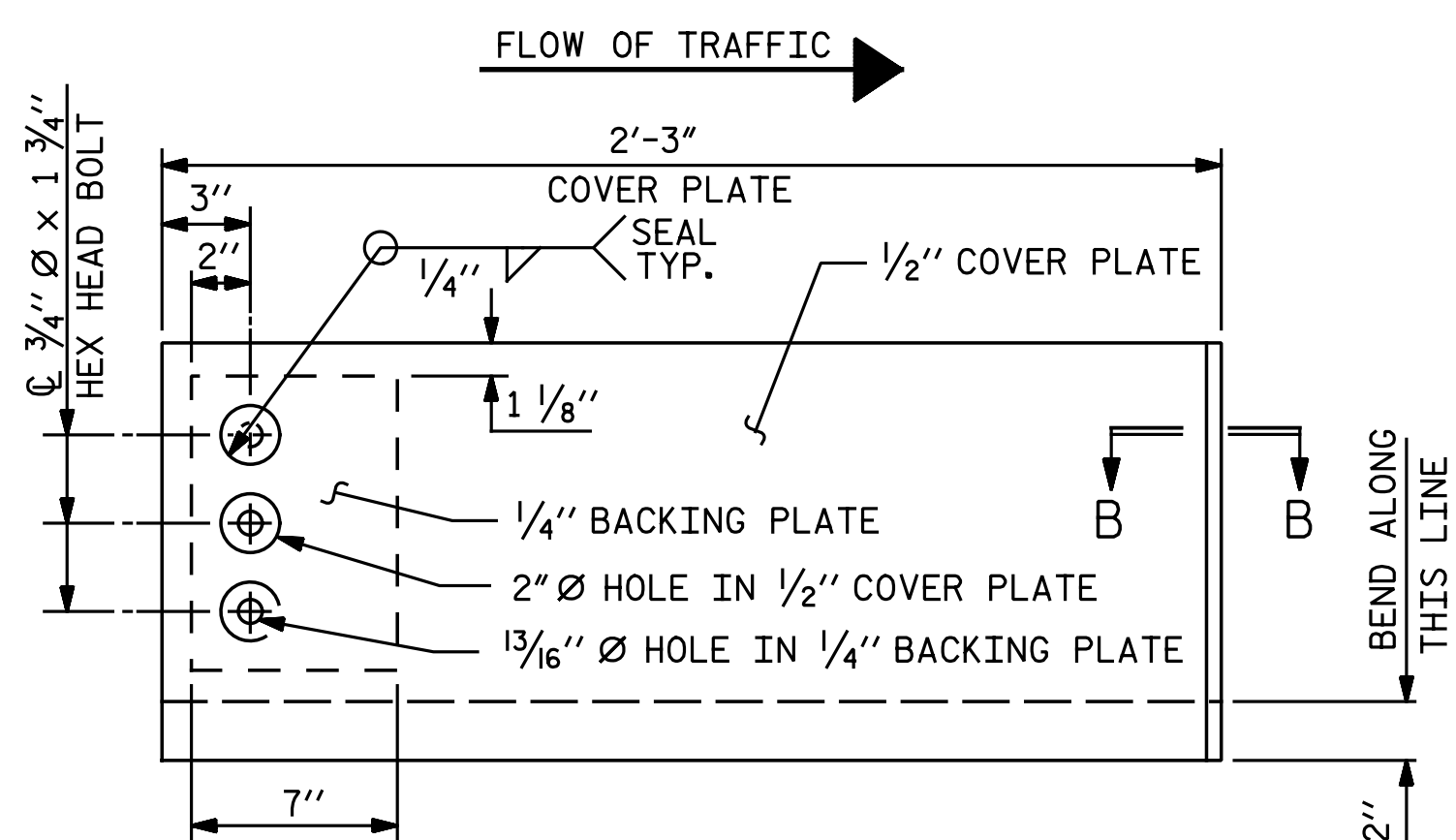
SEE "SECTION A - A" FOR OTHER DETAILS.



SECTION A - A



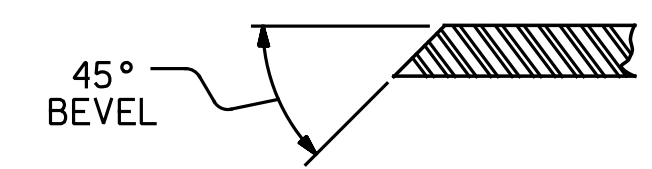
SECTION THRU RAIL NORMAL TO JOINT



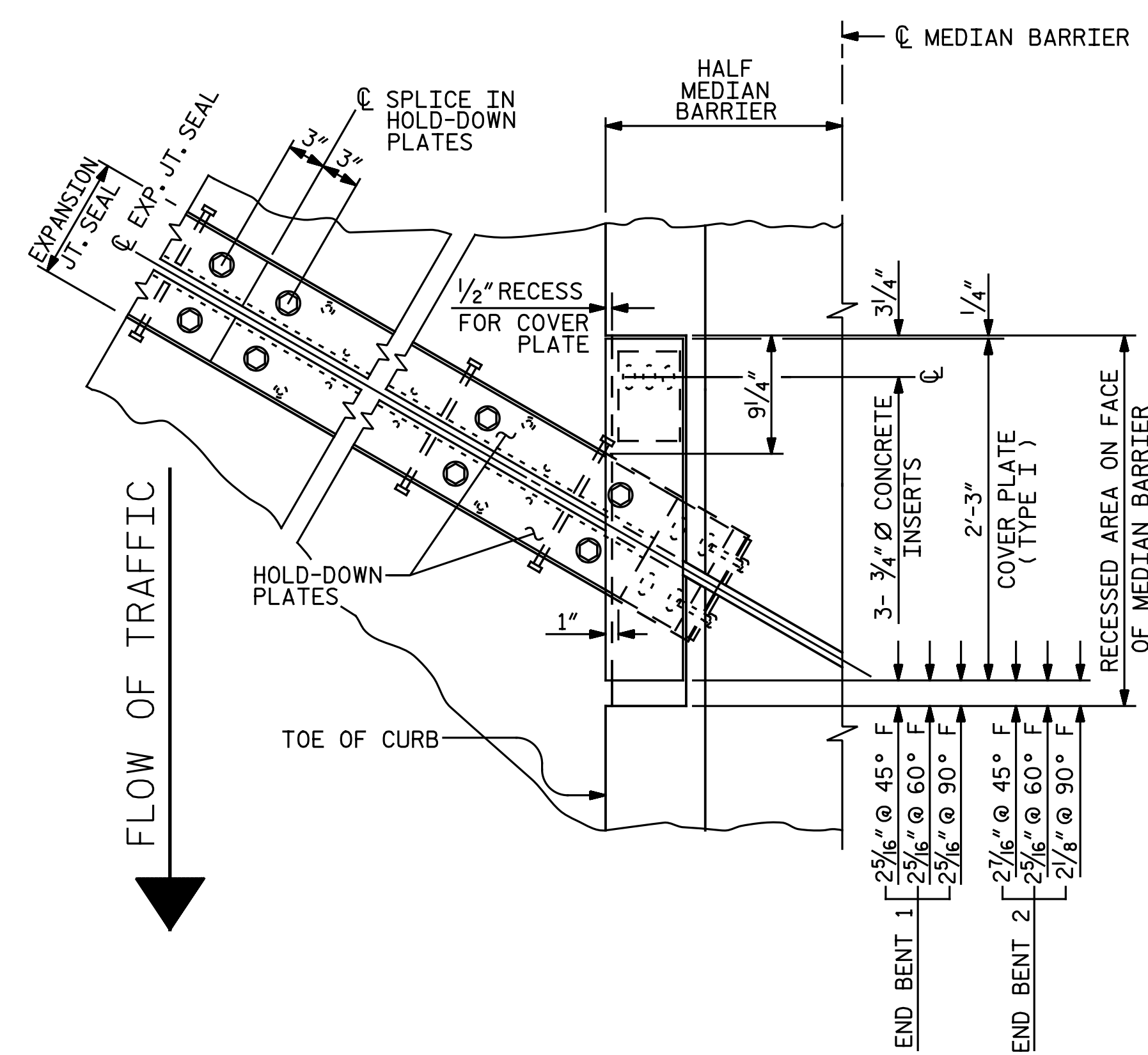
TYPE I - ELEVATION VIEW

COVER PLATE DETAILS

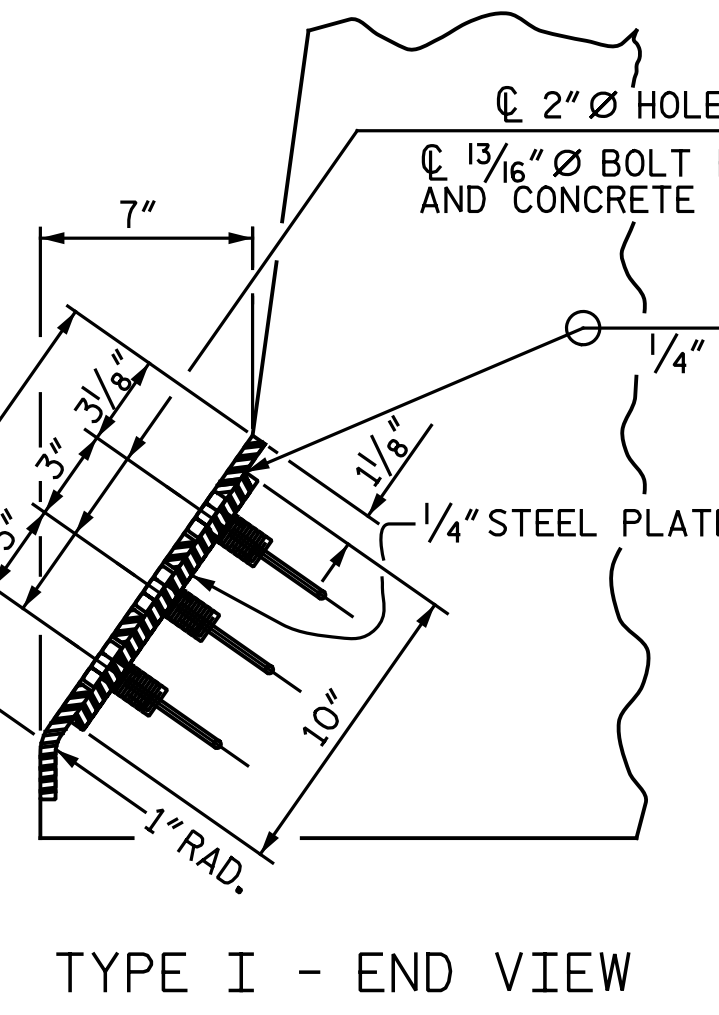
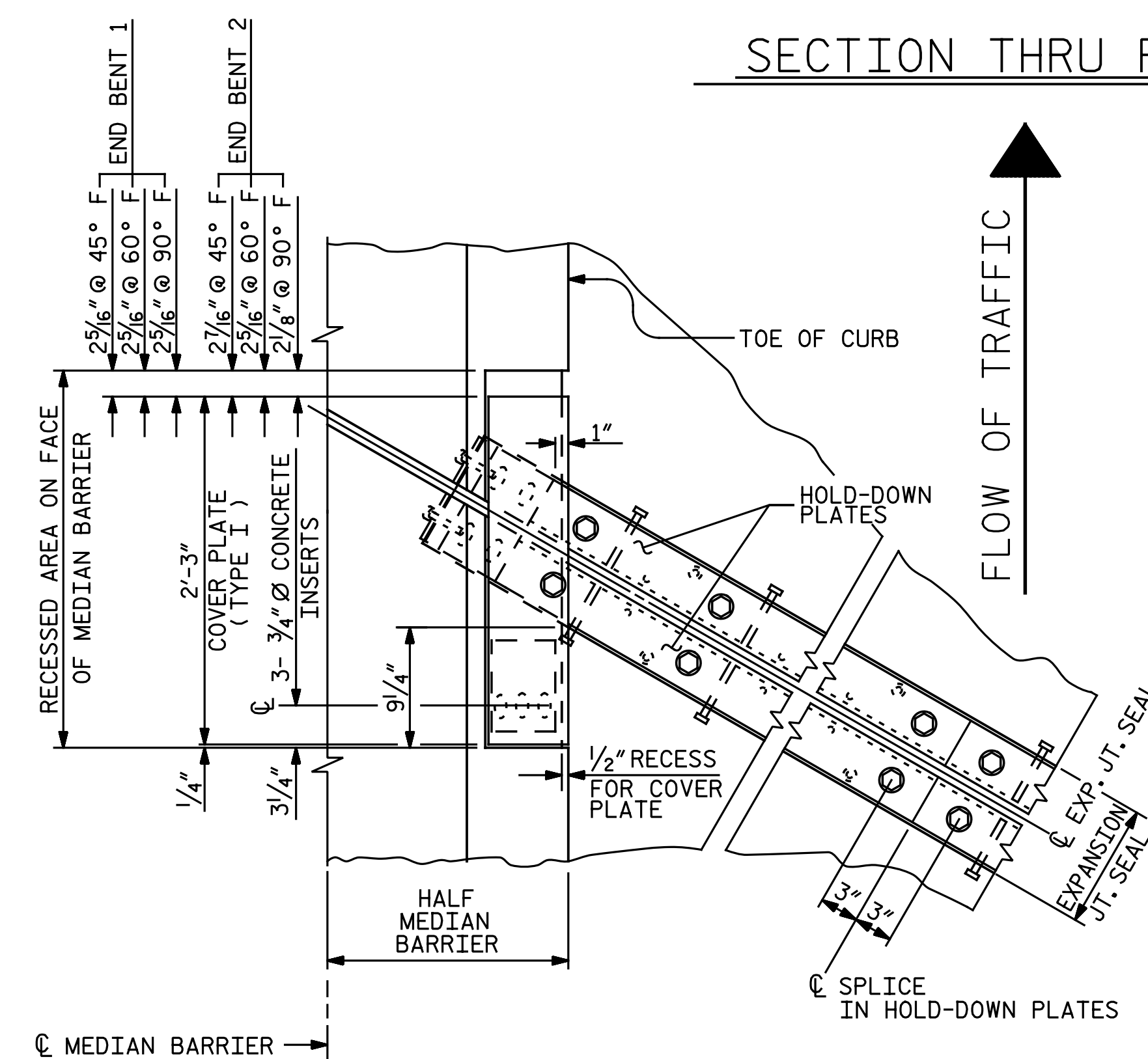
SEE "TYPE I - END VIEW" FOR OTHER DETAILS.



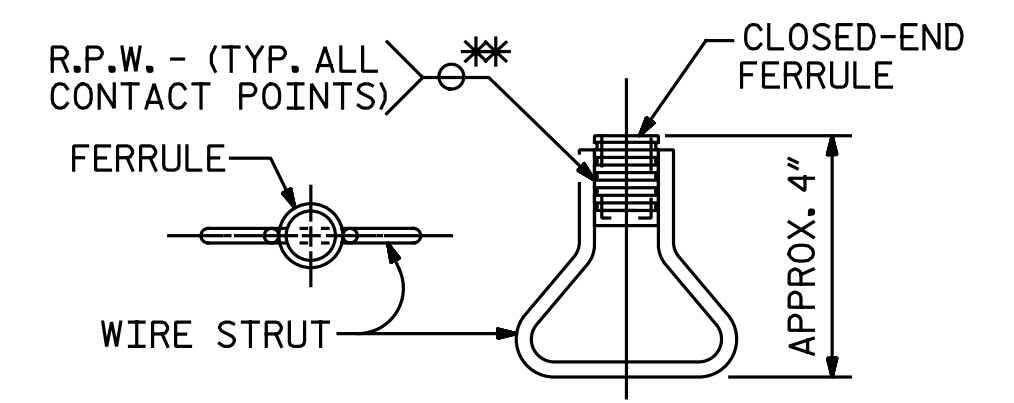
SECTION B - B



PLAN OF EXPANSION JOINT SEAL



TYPE I - END VIEW



CONCRETE INSERT

* EACH WELDED ATTACHMENT OF WIRE TO FERRULE SHALL DEVELOP THE TENSILE STRENGTH OF THE WIRE.

PROJECT NO. I-5878
HARNETT COUNTY
 STATION: 1002+79.68 -LREV-

SHEET 3 OF 3



Designed by: *[Signature]*
 4/22/2021

DOCUMENT NOT CONSIDERED FINAL
 UNLESS ALL SIGNATURES COMPLETED

NO.	BY:	DATE:	REVISIONS			SHEET NO.
			NO.	BY:	DATE:	
1			3			TOTAL SHEETS
2			4			34

DRAWN BY: N. B. SPEAKS DATE: 5-9-19
 CHECKED BY: B. J. BELL DATE: 9-17-19

Michael Baker INTERNATIONAL
 Michael Baker Engineering
 8000 Regency Parkway, Suite 600
 Cary, North Carolina 27518
 NC License No.: F-1084

STATE OF NORTH CAROLINA
 DEPARTMENT OF TRANSPORTATION
 RALEIGH
 SUPERSTRUCTURE
 EXPANSION JOINT
 SEAL DETAILS
 FOR MEDIAN BARRIER