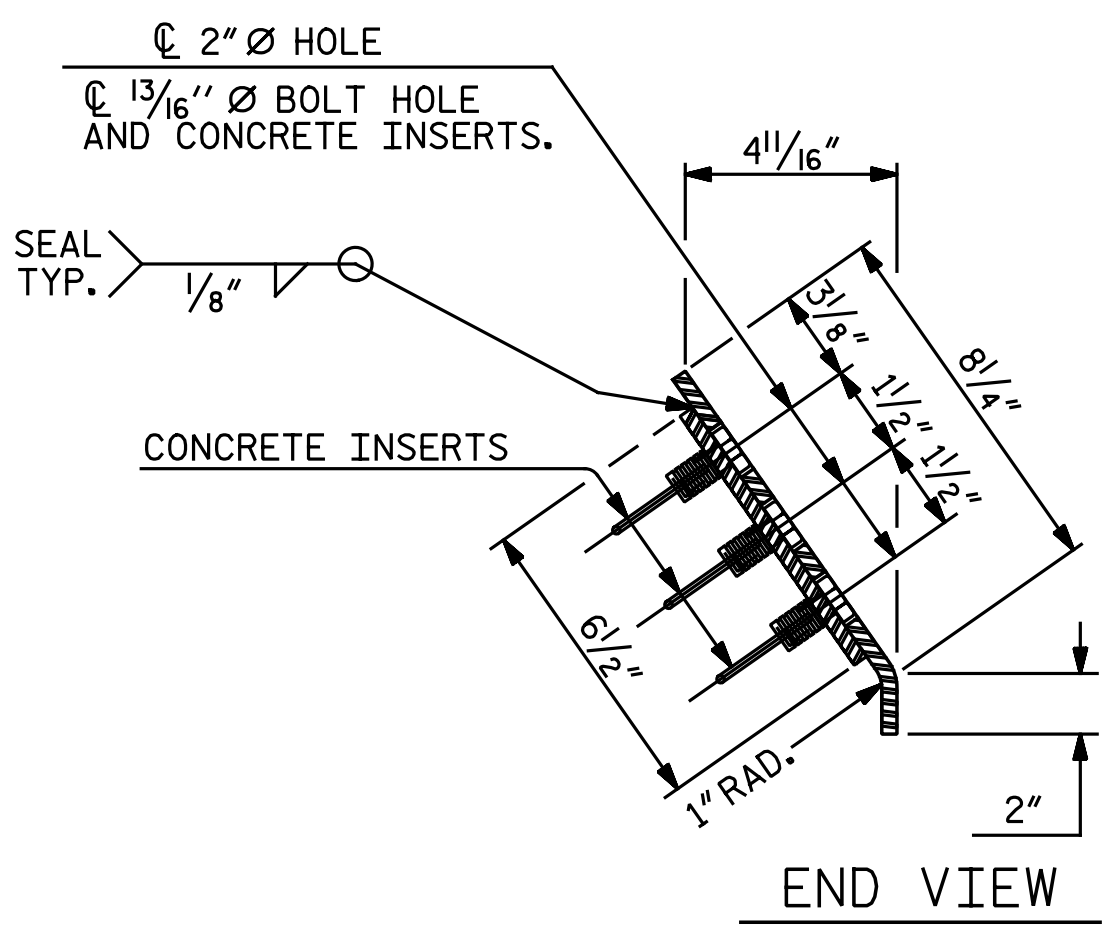
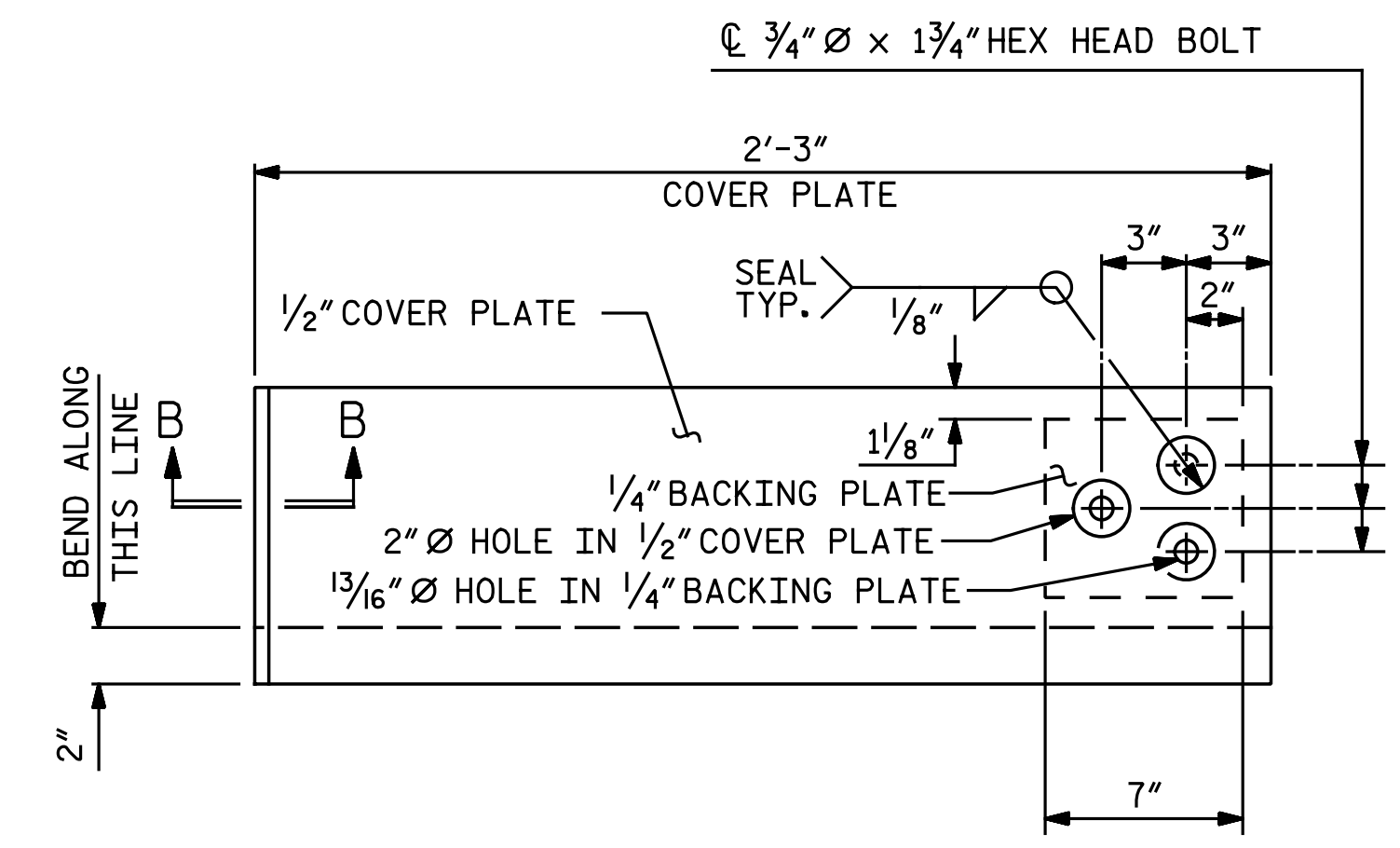


SECTION THRU RAIL NORMAL TO JOINT

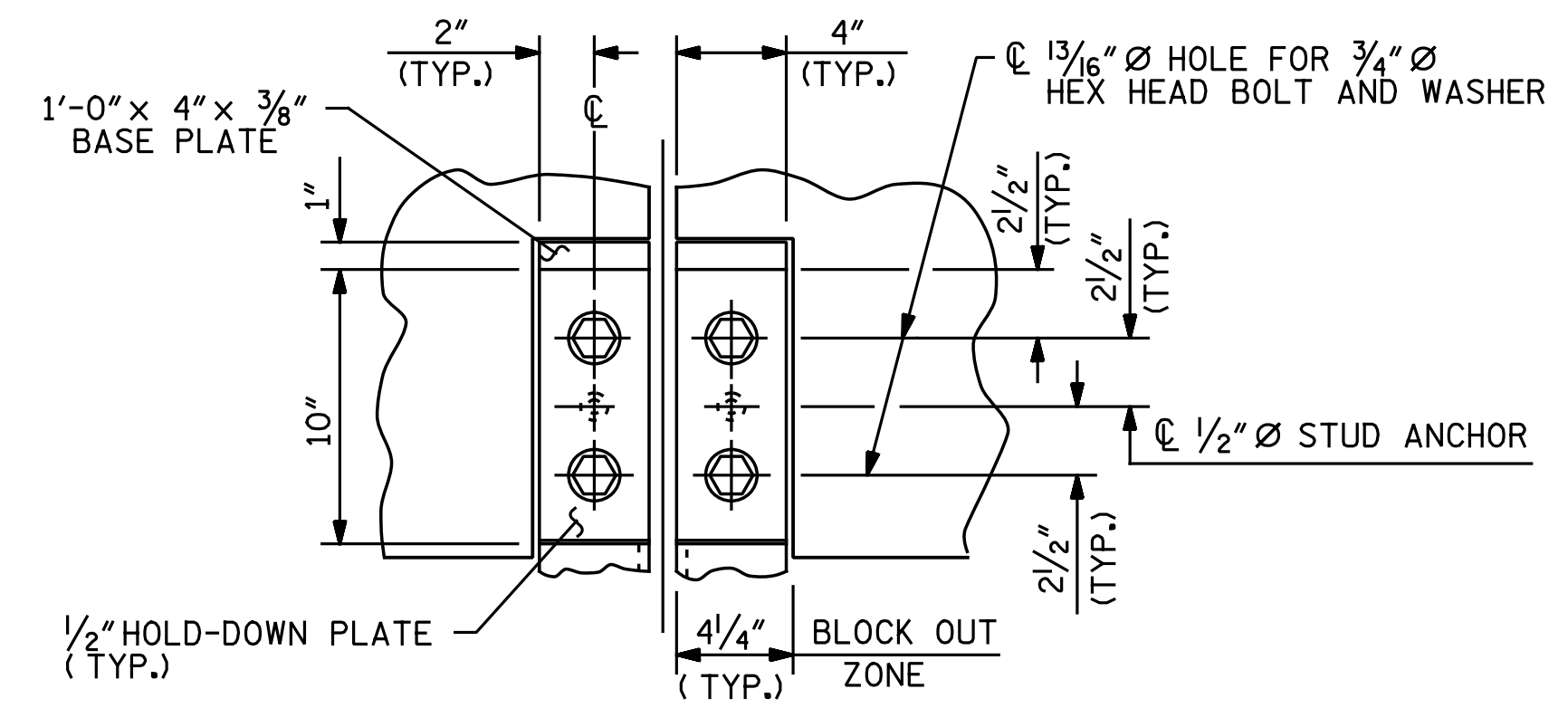


END VIEW

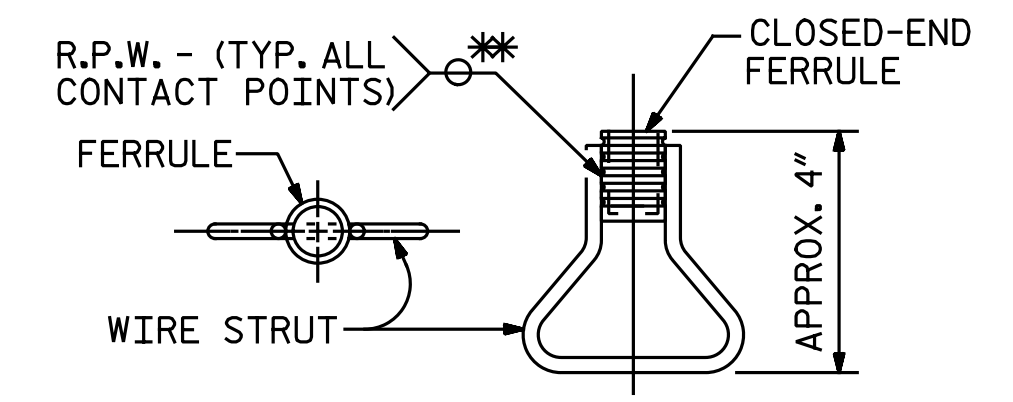


TYPE II - ELEVATION VIEW

COVER PLATE DETAILS

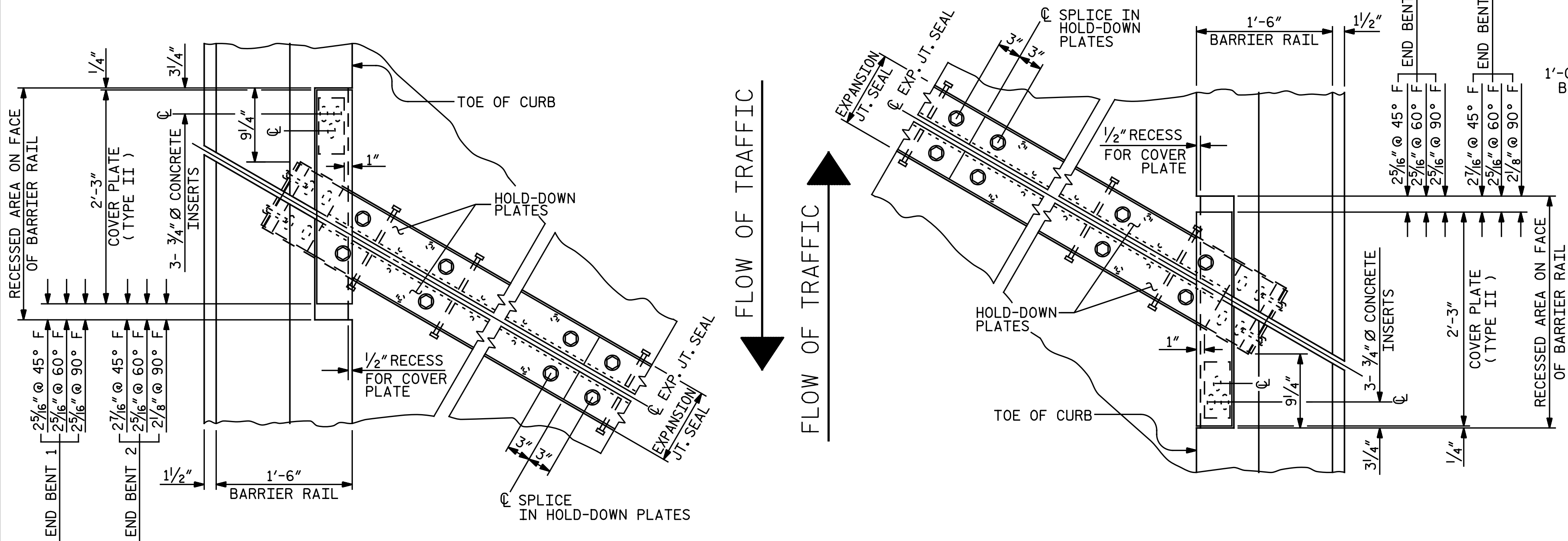


SECTION A - A

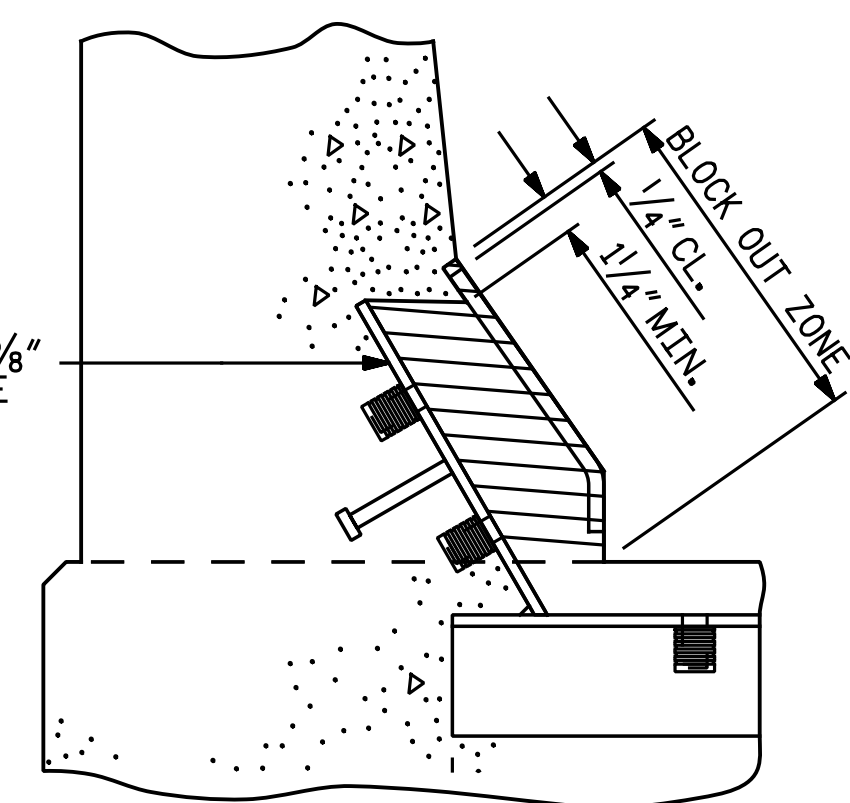


CONCRETE INSERT

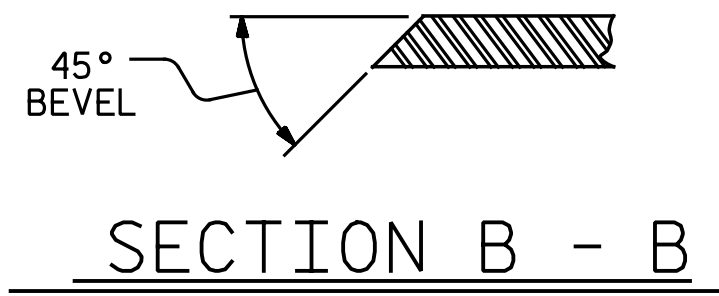
* EACH WELDED ATTACHMENT OF WIRE TO FERRULE SHALL DEVELOP THE TENSILE STRENGTH OF THE WIRE.



PLAN OF EXPANSION JOINT SEAL



BLOCK OUT DETAIL
SEE "SECTION A - A" FOR OTHER DETAILS.



SECTION B - B

PROJECT NO. I-5878
HARNETT COUNTY
STATION: 1002+79.68 -LREV-
SHEET 2 OF 3



Designed by: [Signature]
4/22/2021

DOCUMENT NOT CONSIDERED FINAL
UNLESS ALL SIGNATURES COMPLETED

Michael Baker International
Michael Baker Engineering
8000 Regency Parkway, Suite 600
Cary, North Carolina 27518
NC License No.: F-1084

STATE OF NORTH CAROLINA DEPARTMENT OF TRANSPORTATION RALEIGH					
STANDARD EXPANSION JOINT SEAL DETAILS FOR BARRIER RAIL					
REVISIONS					
NO.	BY:	DATE:	NO.	BY:	DATE:
1			3		
2			4		
SHEET NO. S2-20					TOTAL SHEETS 34

ASSEMBLED BY : N. B. SPEAKS	DATE : 4-18-19
CHECKED BY : B. J. BELL	DATE : 6-17-19
DRAWN BY : REK 9/87	REV. 7/12 MAA/GM
CHECKED BY : CRK 10/87	REV. 6/13 MAA/GM
	REV. 12/17 MAA/THC