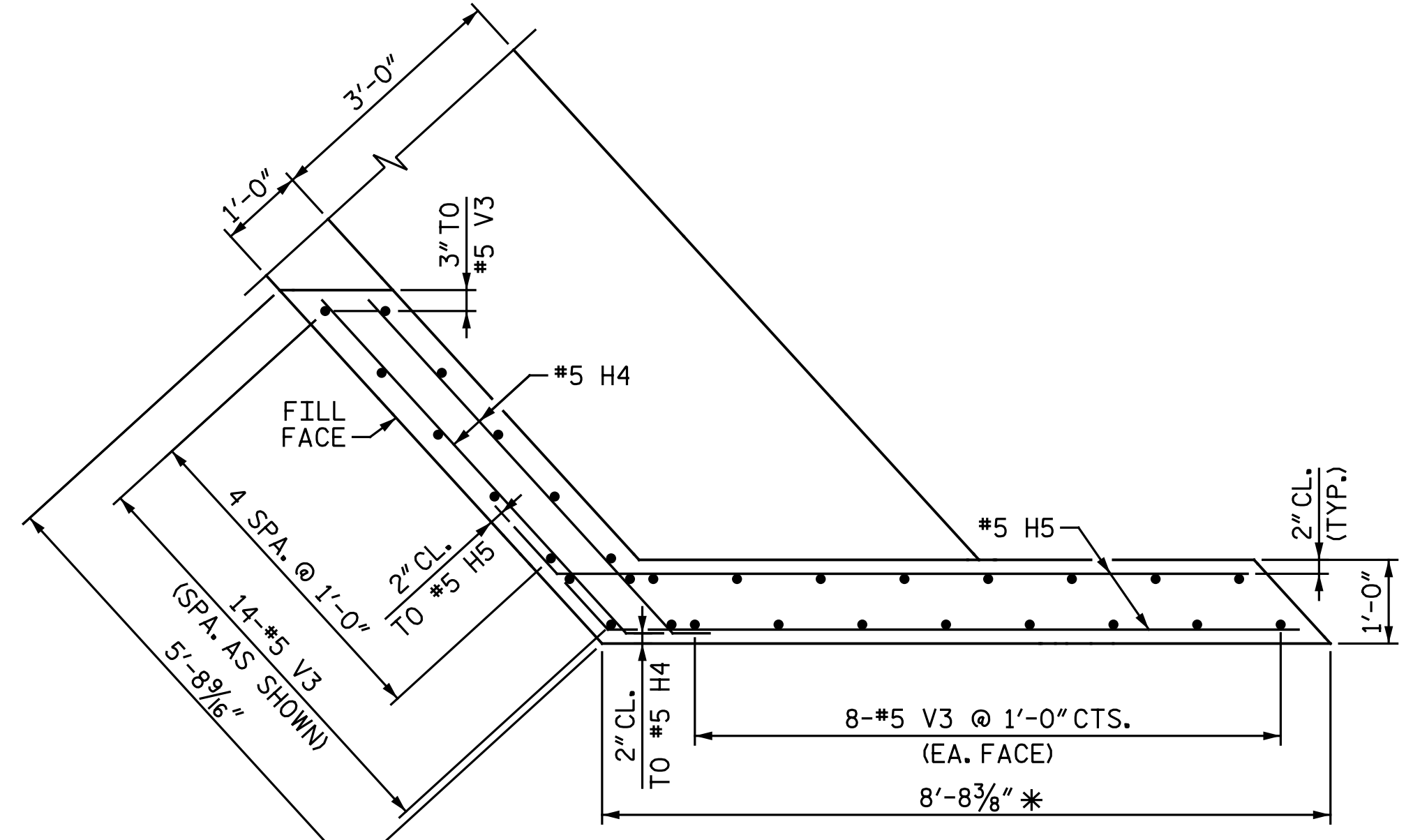


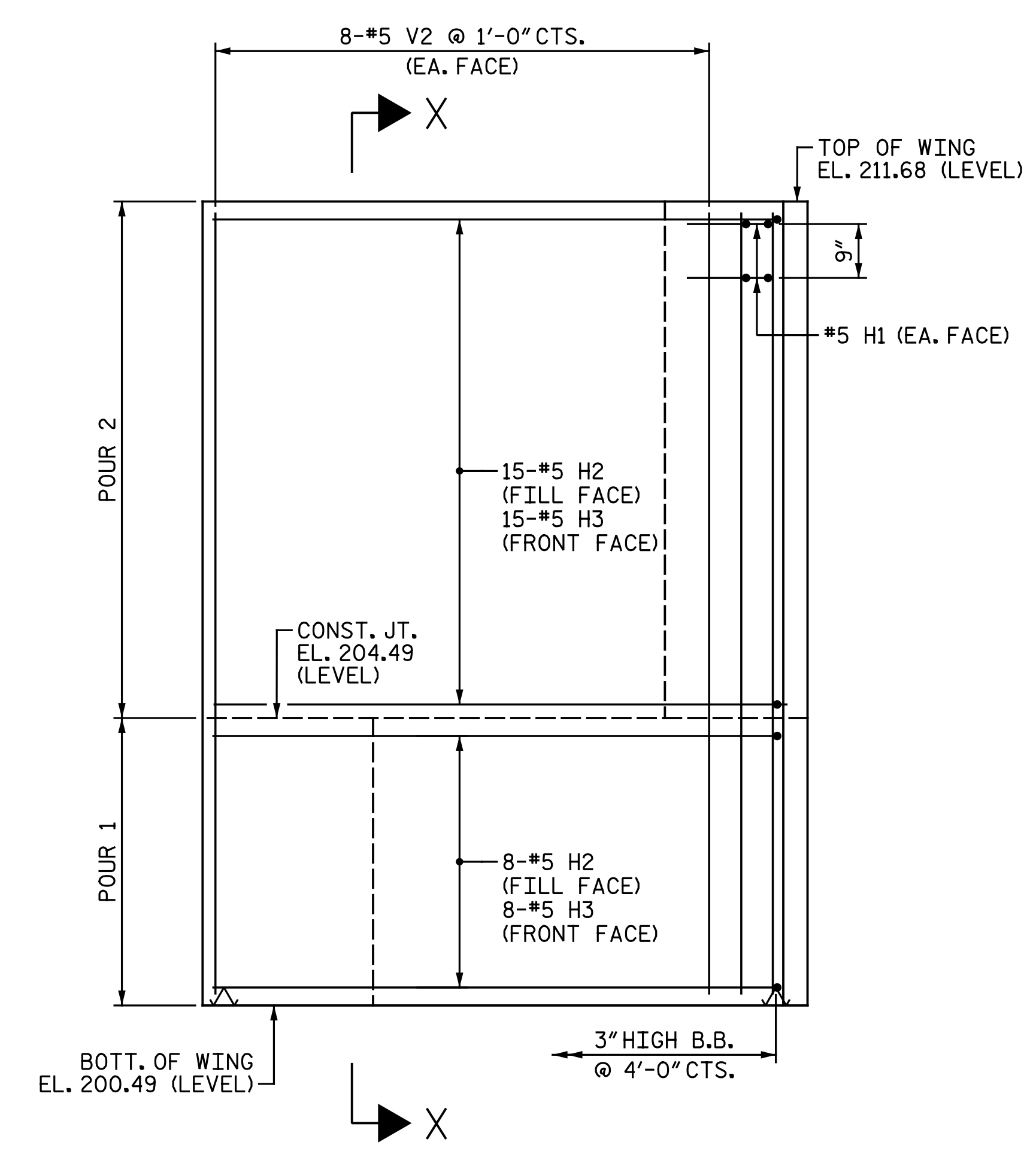
PLAN OF LEFT WING

* SEE NOTE REGARDING LENGTH OF WING ON 'END BENT 1' SHEET 1 OF 2.

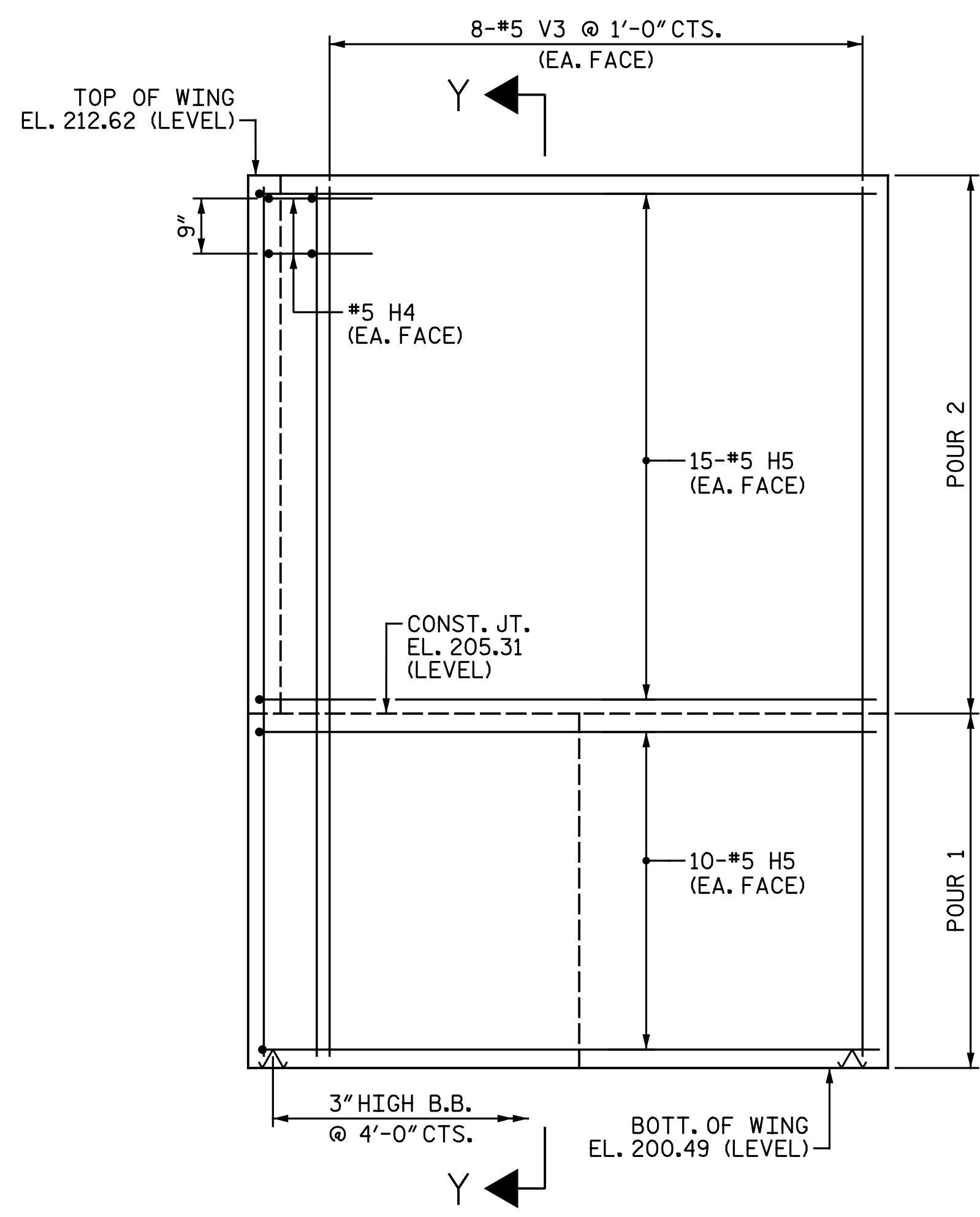


PLAN OF RIGHT WING

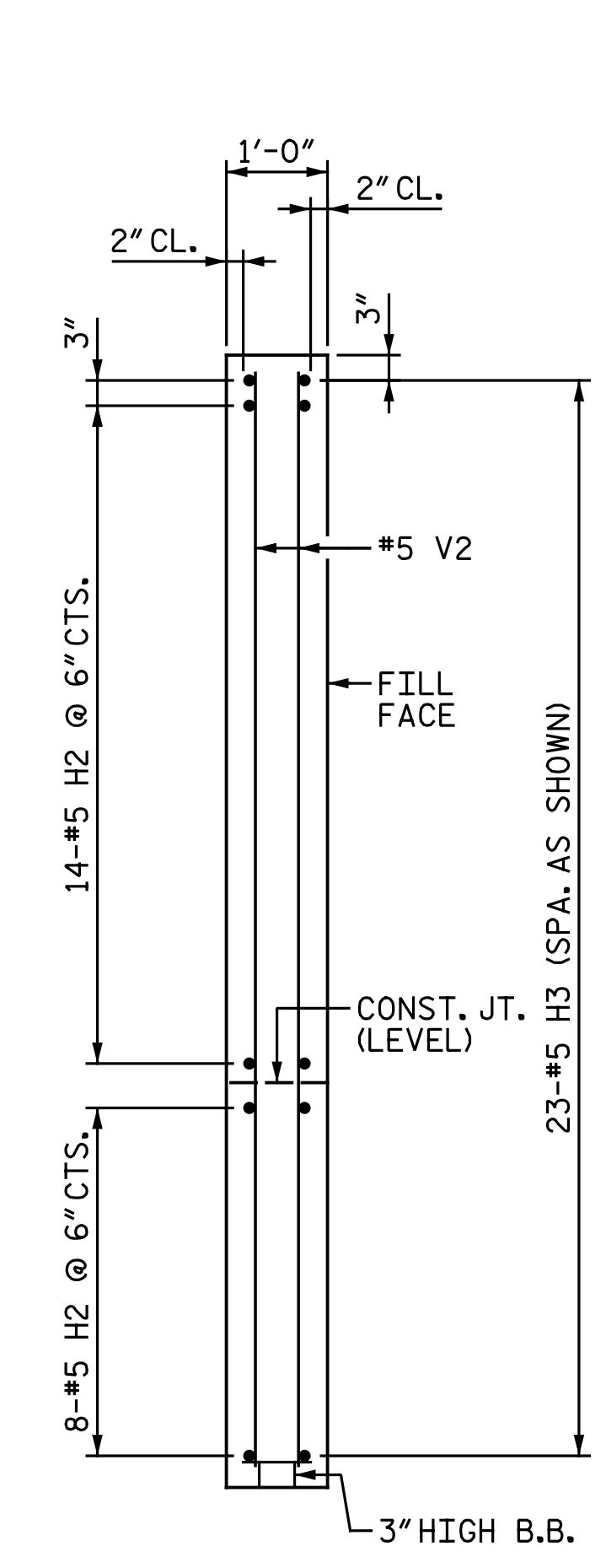
* SEE NOTE REGARDING LENGTH OF WING ON 'END BENT 1' SHEET 1 OF 2.



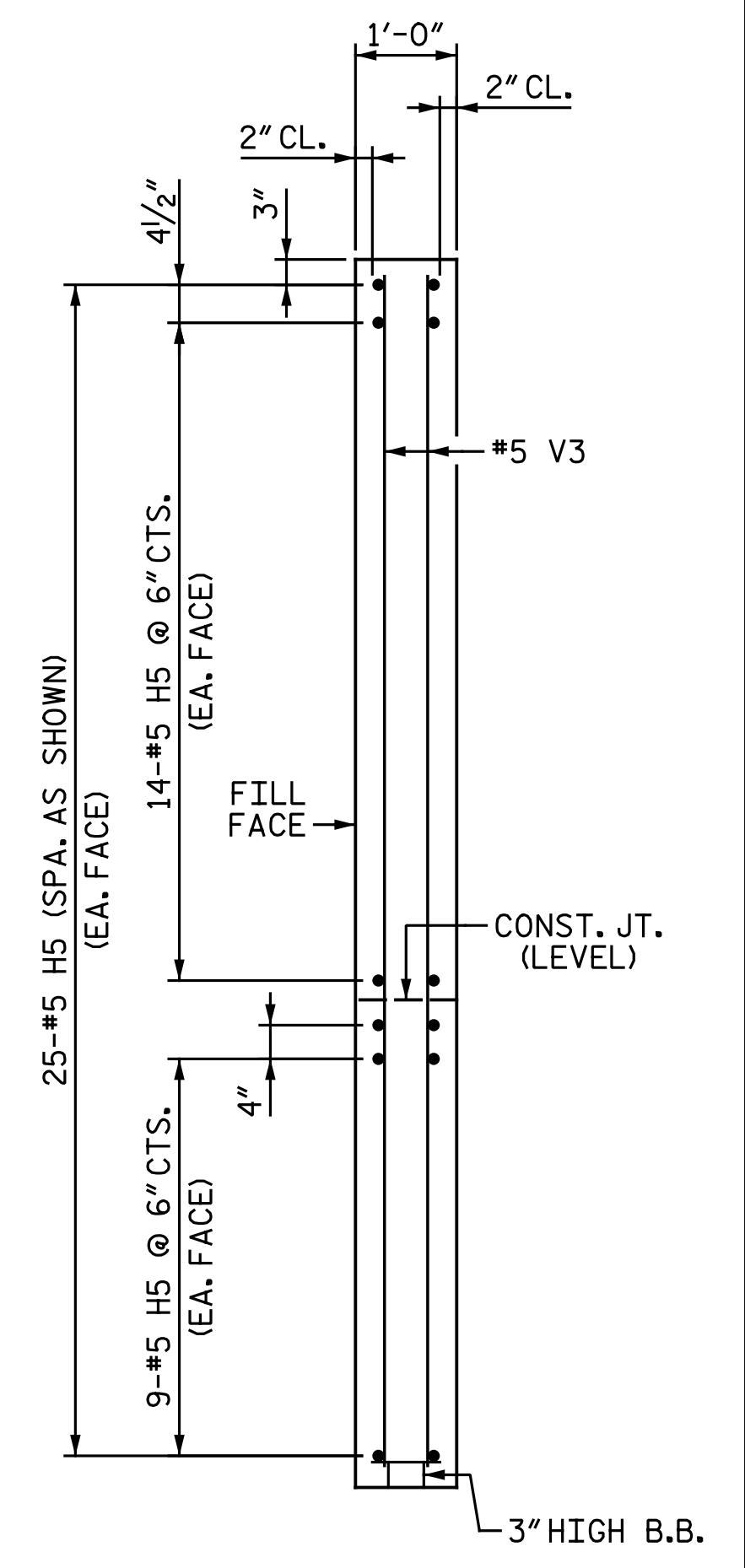
ELEVATION OF LEFT WING



ELEVATION OF RIGHT WING



SECTION X-X



SECTION Y-Y

PROJECT NO. I-5878
HARNETT COUNTY
 STATION: 26+05.28 -Y14-
 SHEET 2 OF 2



4/10/2020

DOCUMENT NOT CONSIDERED FINAL
 UNLESS ALL SIGNATURES COMPLETED

Michael Baker International
 Michael Baker Engineering
 8000 Regency Parkway, Suite 600
 Cary, North Carolina 27518
 NC License No.: F-1084

STATE OF NORTH CAROLINA DEPARTMENT OF TRANSPORTATION RALEIGH					
SUBSTRUCTURE					
END BENT 1					
REVISIONS					
NO.	BY:	DATE:	NO.	BY:	DATE:
1			3		
2			4		

DRAWN BY: M. D. MAYHEW DATE: 10-1-19
 CHECKED BY: A. H. SHARPE DATE: 3-2-20

SHEET NO.
SI-24
 TOTAL SHEETS
35