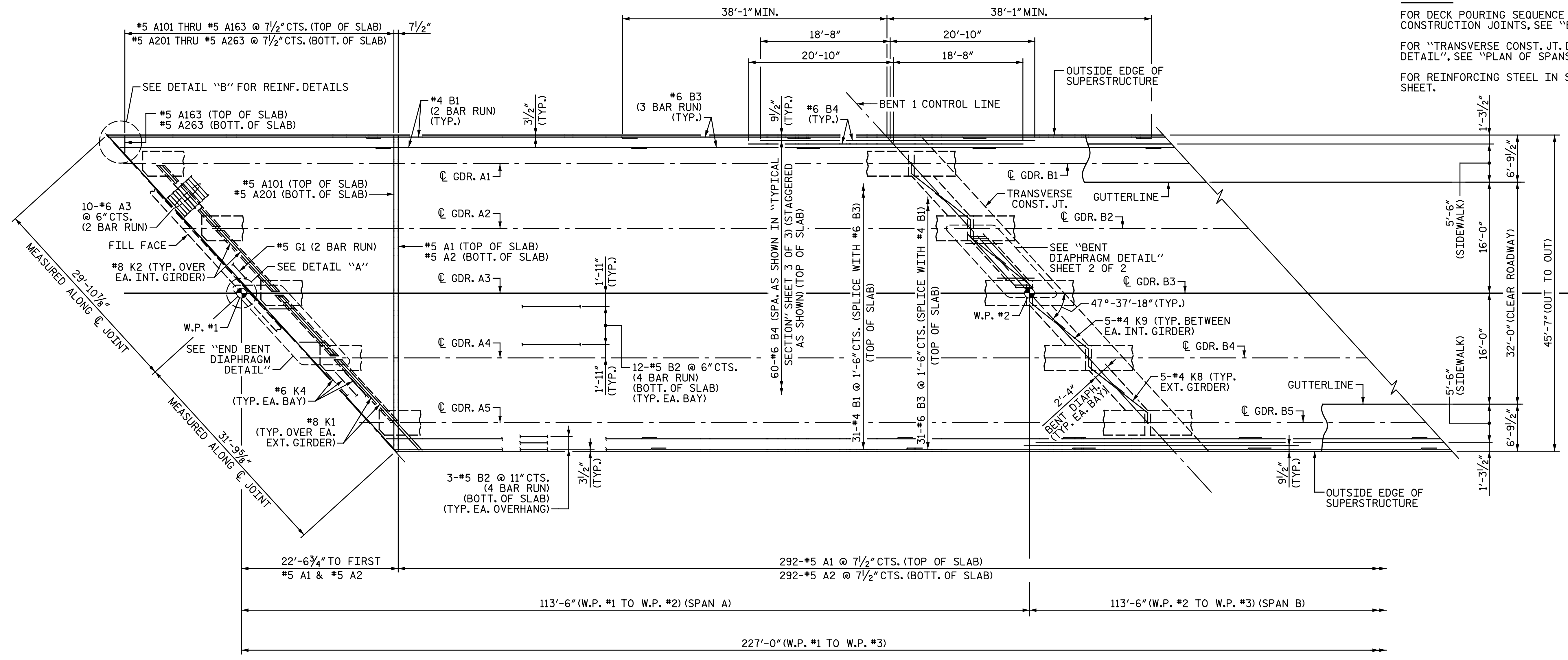
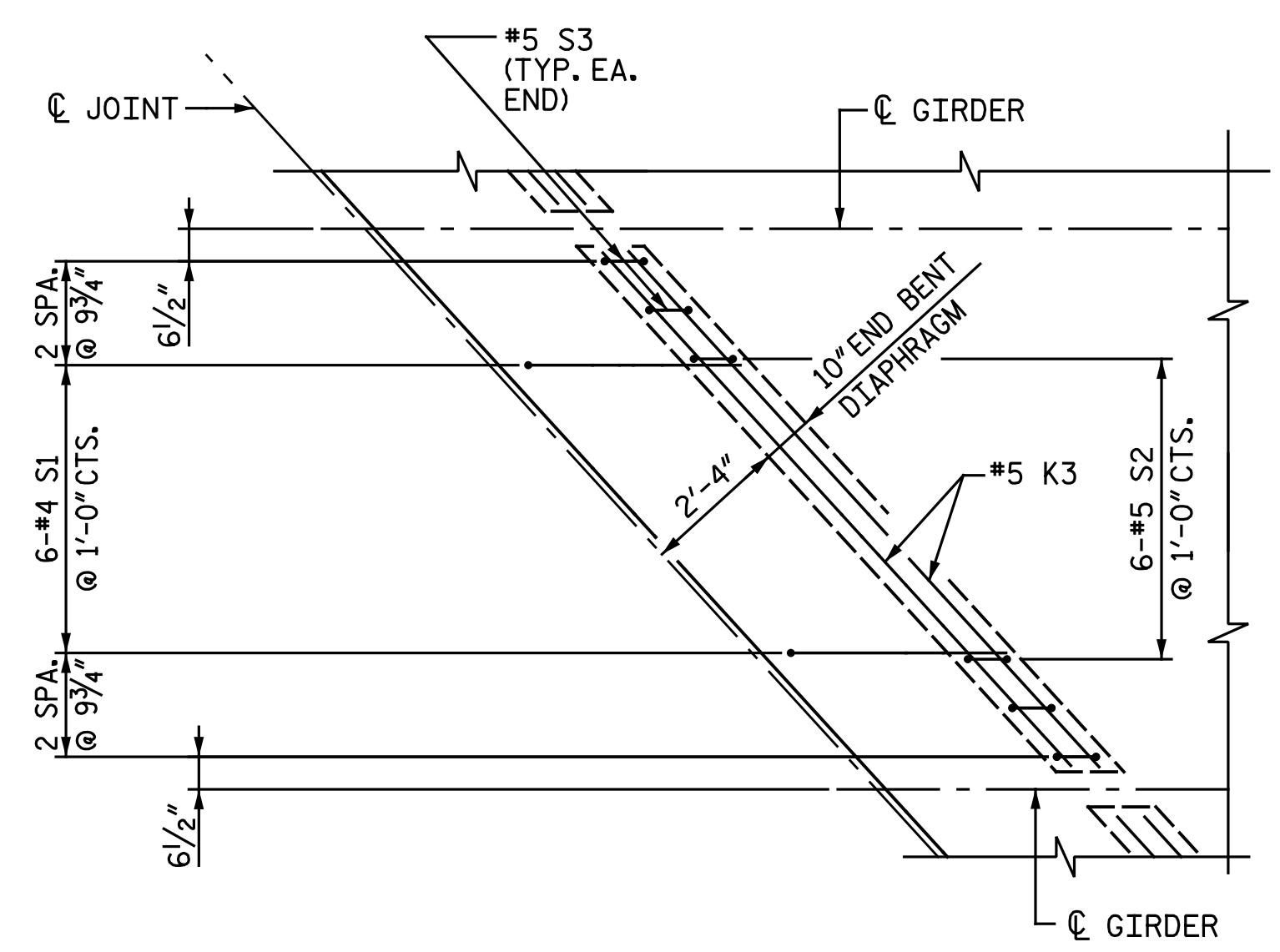


NOTES:
 FOR DECK POURING SEQUENCE AND LOCATION OF TRANSVERSE CONSTRUCTION JOINTS, SEE "BILL OF MATERIAL" SHEET.
 FOR "TRANSVERSE CONST. JT. DETAIL" & "BENT DIAPHRAGM DETAIL", SEE "PLAN OF SPANS", SHEET 2 OF 2.
 FOR REINFORCING STEEL IN SIDEWALK, SEE "SIDEWALK DETAIL" SHEET.

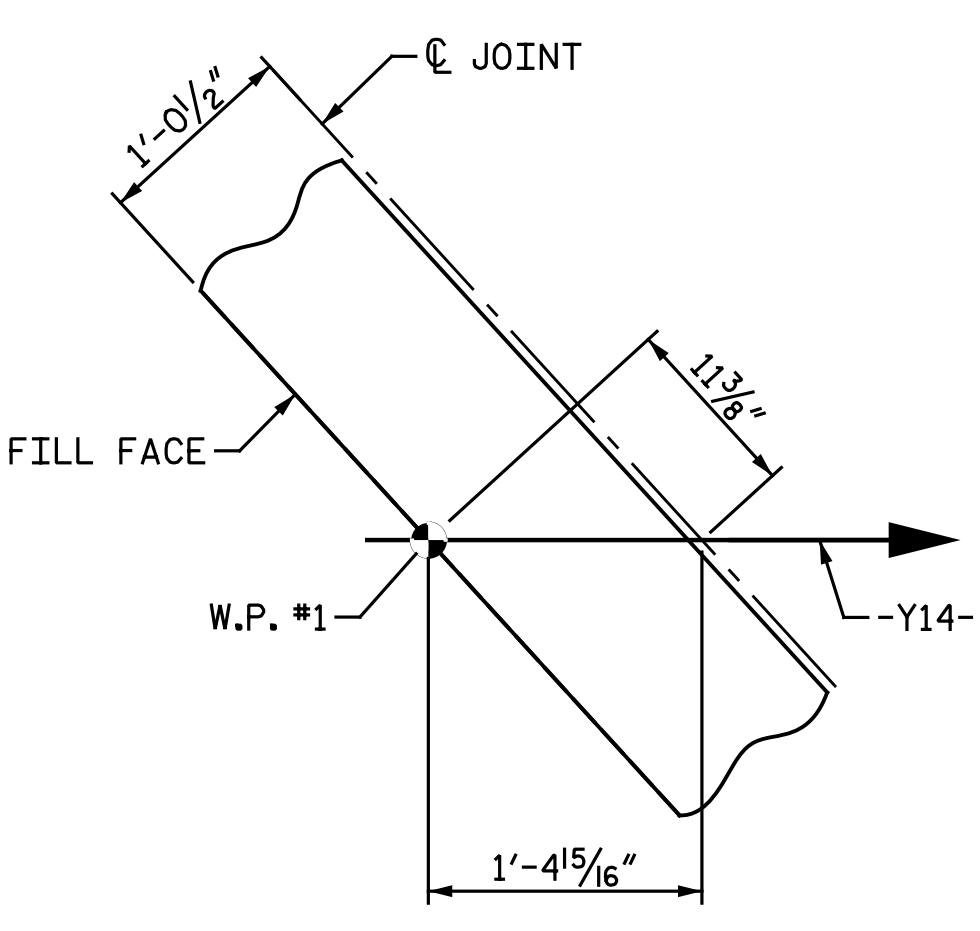


PLAN OF SPAN

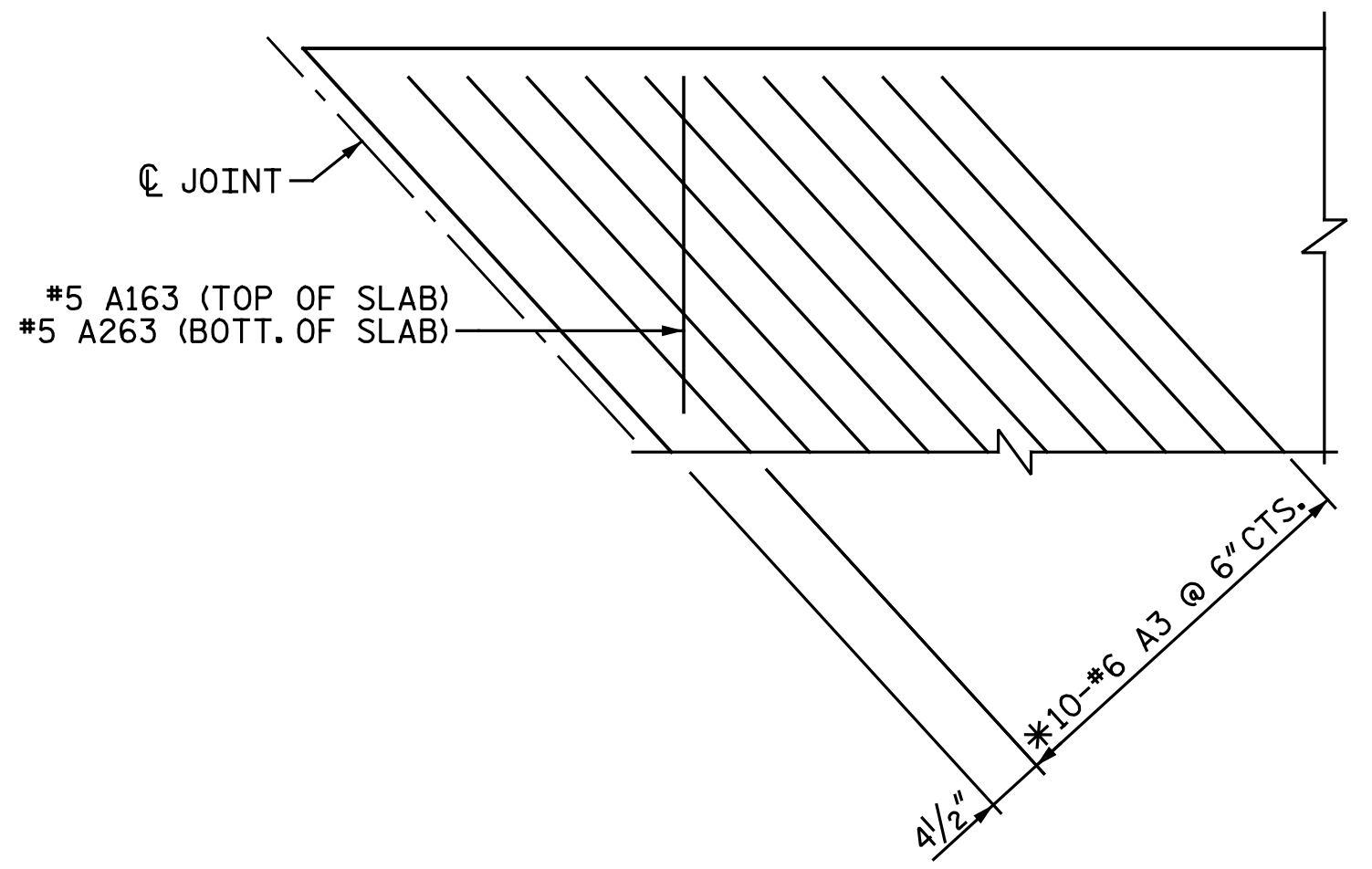
SPLICE LENGTHS		
BAR SIZE	EPOXY COATED	UNCOATED
#4	2'-0"	1'-9"
#5	2'-6"	2'-2"
#6	3'-0"	2'-7"



END BENT DIAPHRAGM DETAIL

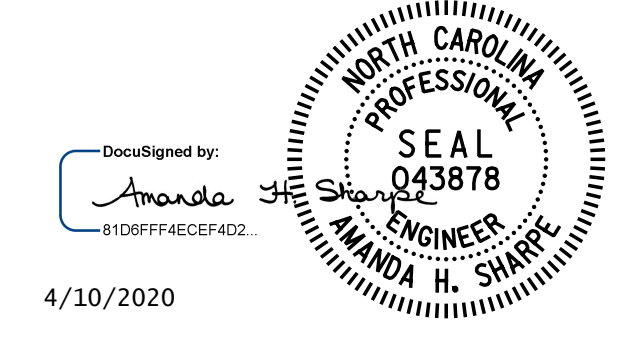


DETAIL "A"



DETAIL "B"

PROJECT NO. I-5878
 HARNETT COUNTY
 STATION: 26+05.28 -Y14-
 SHEET 1 OF 2



STATE OF NORTH CAROLINA
 DEPARTMENT OF TRANSPORTATION
 RALEIGH
 SUPERSTRUCTURE
 PLAN OF SPANS

DRAWN BY: J. R. METZ DATE: 9-11-19
 CHECKED BY: A. H. SHARPE DATE: 3-2-20

END BENT 1 SHOWN, END BENT 2 SIMILAR
 #8 "K" BARS NOT SHOWN FOR CLARITY
 (TYP. EA. BAY)

* #6 A3 BARS ARE TO BE PLACED PARALLEL TO SKEW, SPACED AS SHOWN, AND LOCATED BELOW B1 BARS.
 SEE ALSO "SECTION THRU END BENT DIAPHRAGM" DETAIL ON "TYPICAL SECTION" SHEET 2 OF 3.

DOCUMENT NOT CONSIDERED FINAL
 UNLESS ALL SIGNATURES COMPLETED

REVISIONS						SHEET NO.
NO.	BY:	DATE:	NO.	BY:	DATE:	SI-8
1			3			TOTAL SHEETS
2			4			35

Michael Baker International
 Michael Baker Engineering
 8000 Regency Parkway, Suite 600
 Cary, North Carolina 27518
 NC License No.: F-1084