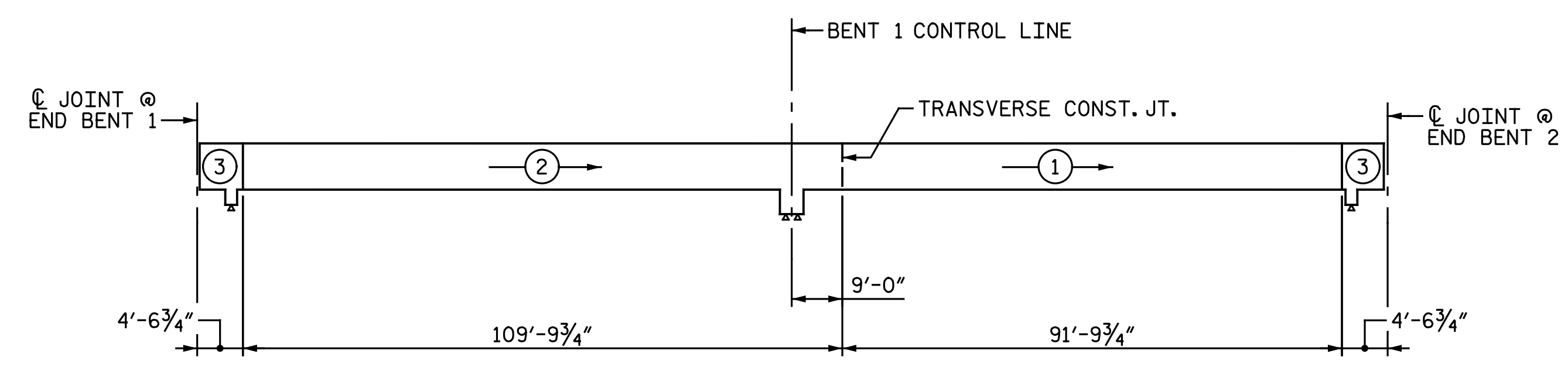
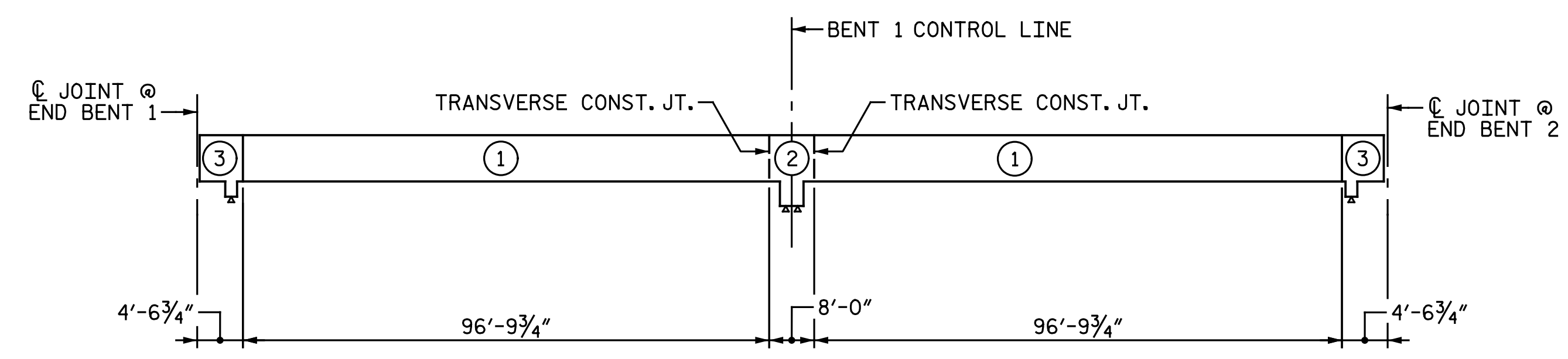


LAYOUT FOR COMPUTING AREA OF REINFORCED CONCRETE DECK SLAB  
(SQ. FT. = 10,801)



POURING SEQUENCE  
# → DENOTES POUR NUMBER AND DIRECTION



OPTIONAL POURING SEQUENCE  
# DENOTES POUR NUMBER

PROJECT NO. I-5883  
HARNETT COUNTY  
STATION: 26+80.73 -Y17-

SHEET 1 OF 2



4/9/2020

STATE OF NORTH CAROLINA  
DEPARTMENT OF TRANSPORTATION  
RALEIGH  
SUPERSTRUCTURE  
BILL OF MATERIAL

DOCUMENT NOT CONSIDERED FINAL  
UNLESS ALL SIGNATURES COMPLETED

REVISIONS						SHEET NO.
NO.	BY:	DATE:	NO.	BY:	DATE:	S2-21
1			3			TOTAL SHEETS
2			4			33

DRAWN BY : C. E. MAYHEW DATE : 8-31-18  
CHECKED BY : A. H. SHARPE DATE : 11-8-18

**Michael Baker INTERNATIONAL**  
Michael Baker Engineering  
8000 Regency Parkway, Suite 600  
Cary, North Carolina 27518  
NC License No. : F-1084