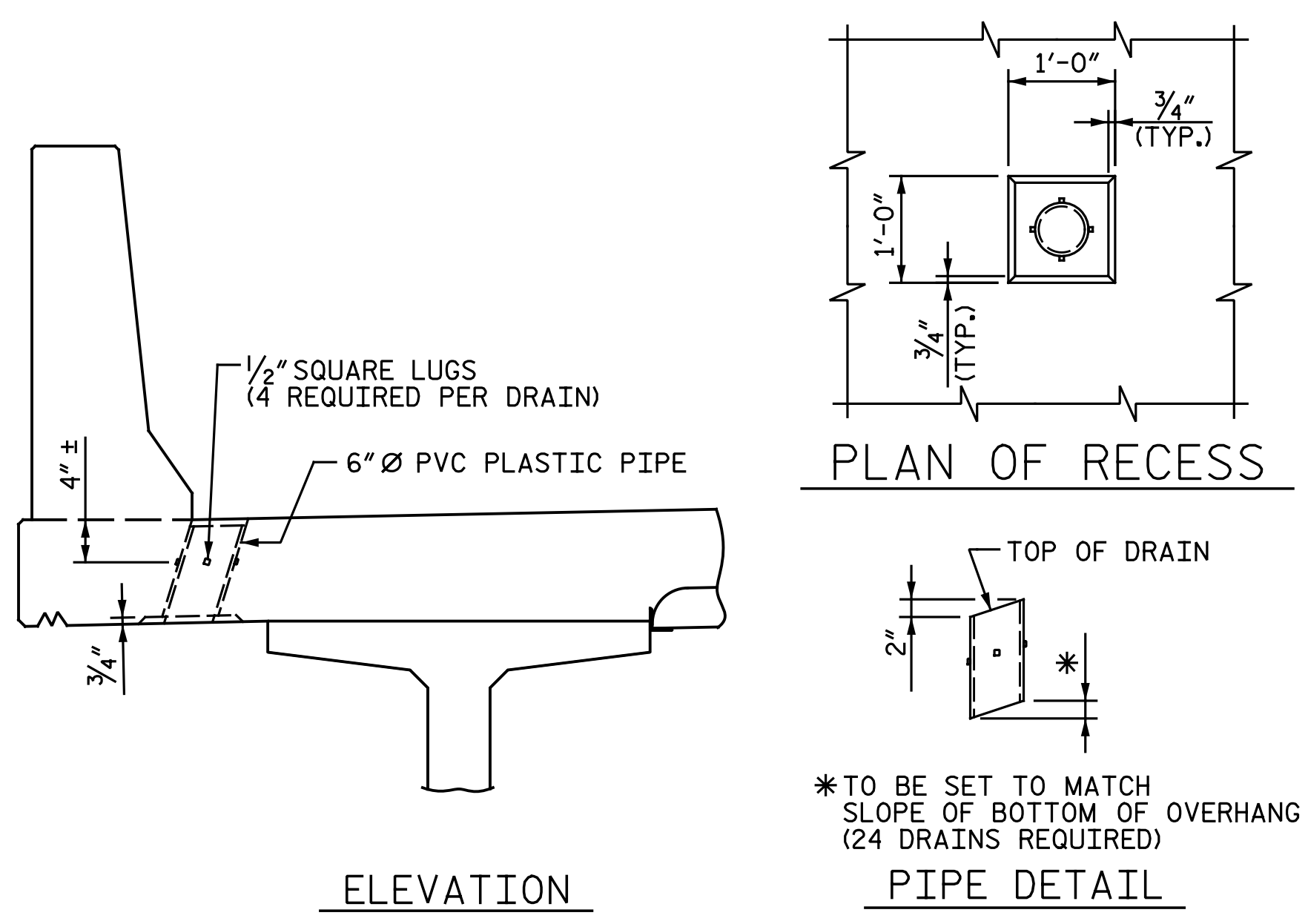


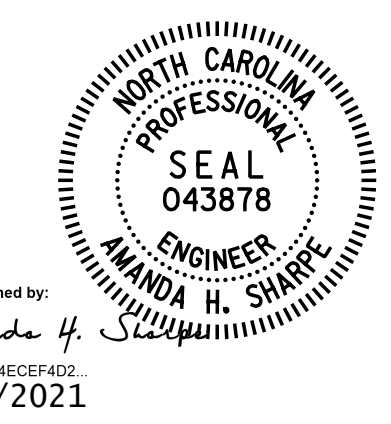
DECK DRAIN LAYOUT



DRAIN DETAILS

- NOTES:**
- TOP OF FLOOR DRAIN TO BE SET 3/8" BELOW SURFACE OF SLAB.
  - 4 -1/2" SQUARE LUGS TO BE GLUED TO THE PVC PLASTIC PIPE AT EQUAL SPACES AROUND PIPE APPROXIMATELY 4" FROM THE TOP OF PIPE.
  - THE 6" Ø PVC PLASTIC PIPE AND FITTINGS SHALL BE SCHEDULE 40 AND CONFORM TO ASTM D1785.

PROJECT NO. I-5883  
HARNETT COUNTY  
 STATION: 26+80.73 -Y17-



STATE OF NORTH CAROLINA  
 DEPARTMENT OF TRANSPORTATION  
 RALEIGH  
 SUPERSTRUCTURE  
 DECK DRAIN LAYOUT

DOCUMENT NOT CONSIDERED FINAL  
 UNLESS ALL SIGNATURES COMPLETED

| <b>Michael Baker INTERNATIONAL</b><br>Michael Baker Engineering<br>8000 Regency Parkway, Suite 600<br>Cary, North Carolina 27518<br>NC License No.: F-1084 | REVISIONS |     |       |     |     |       | SHEET NO.    |
|--|-----------|-----|-------|-----|-----|-------|--------------|
|  | NO.       | BY: | DATE: | NO. | BY: | DATE: | S2-10        |
|  | 1         |     |       | 3   |     |       | TOTAL SHEETS |
|  | 2         |     |       | 4   |     |       | 33           |

DRAWN BY : N. B. SPEAKS DATE : 10-31-18  
 CHECKED BY : A. H. SHARPE DATE : 4-26-21