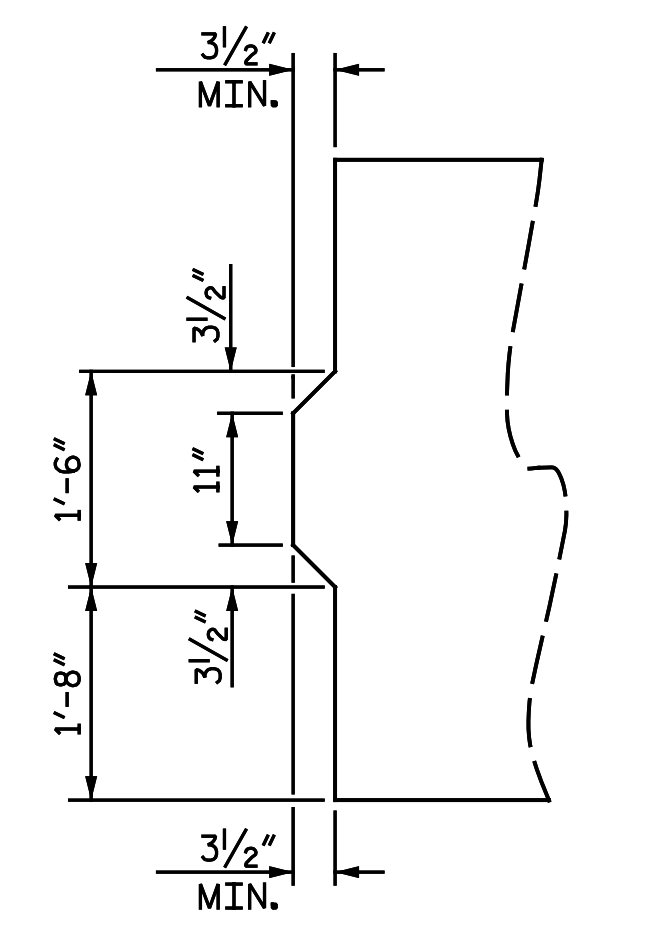
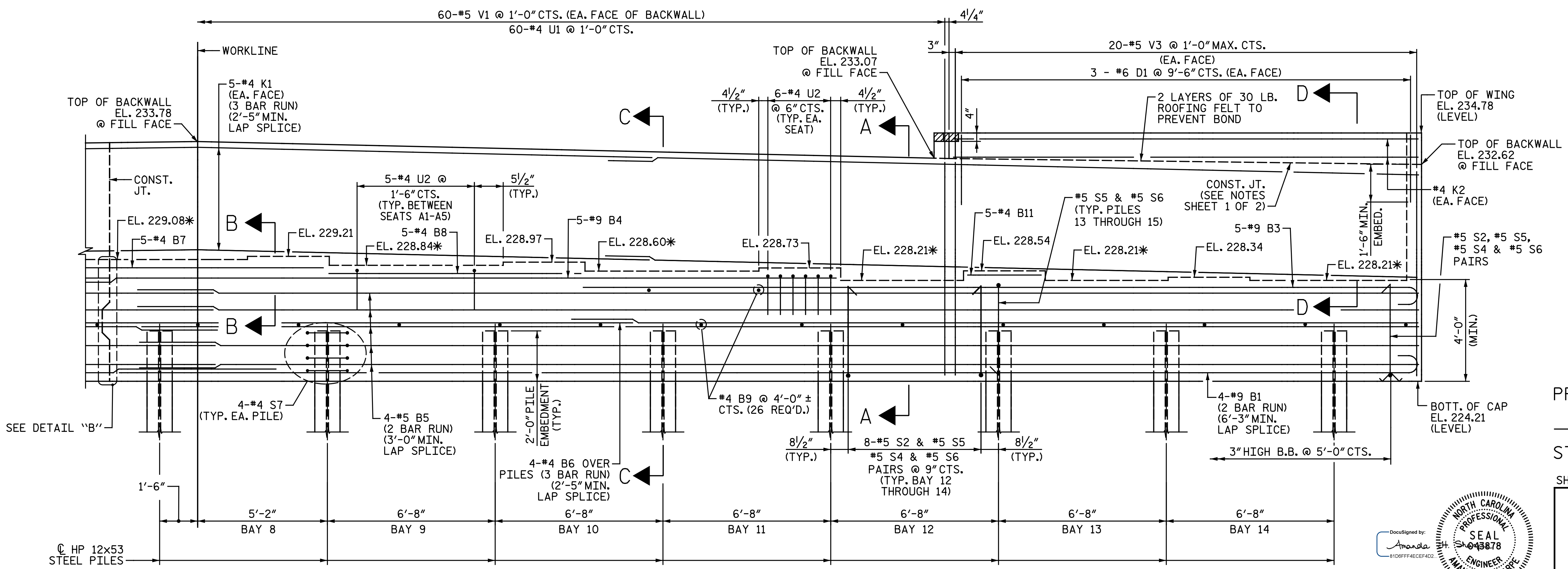


**PLAN**

U.N.O. - DENOTES "UNLESS NOTED OTHERWISE"  
 †GIRDER A3A & A4A REPRESENTS FUTURE GIRDER LINES



**DETAIL "B"**



**ELEVATION**

\*FOR LOCATION OF ELEVATIONS BETWEEN BRIDGE SEAT BUILD-UPS, SEE "SECTION A-A" ON "END BENT 1 DETAILS" SHEET.

PROJECT NO. I-5883  
HARNETT COUNTY  
 STATION: 27+09.19 -Y16-  
 SHEET 2 OF 2



STATE OF NORTH CAROLINA  
 DEPARTMENT OF TRANSPORTATION  
 RALEIGH  
 SUBSTRUCTURE  
 END BENT 1

DRAWN BY: N. B. SPEAKS DATE: 8-8-18  
 CHECKED BY: A. H. SHARPE DATE: 3-26-20

DOCUMENT NOT CONSIDERED FINAL  
 UNLESS ALL SIGNATURES COMPLETED

NO.	BY:	DATE:	REVISIONS			SHEET NO.
			NO.	BY:	DATE:	
1			3			SI-23 TOTAL SHEETS 35
2			4			

**Michael Baker International**  
 Michael Baker Engineering  
 8000 Regency Parkway, Suite 600  
 Cary, North Carolina 27518  
 NC License No.: F-1084