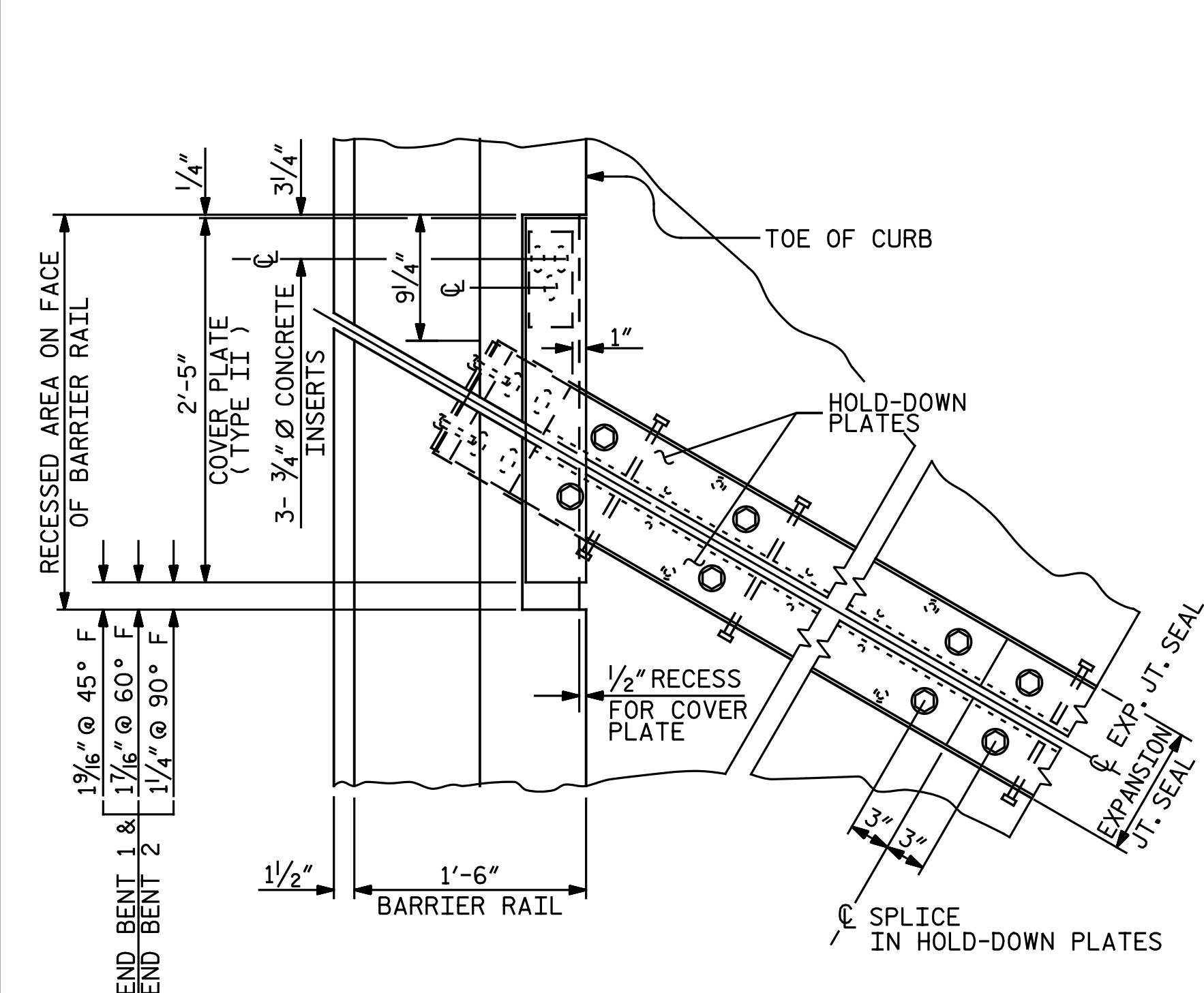
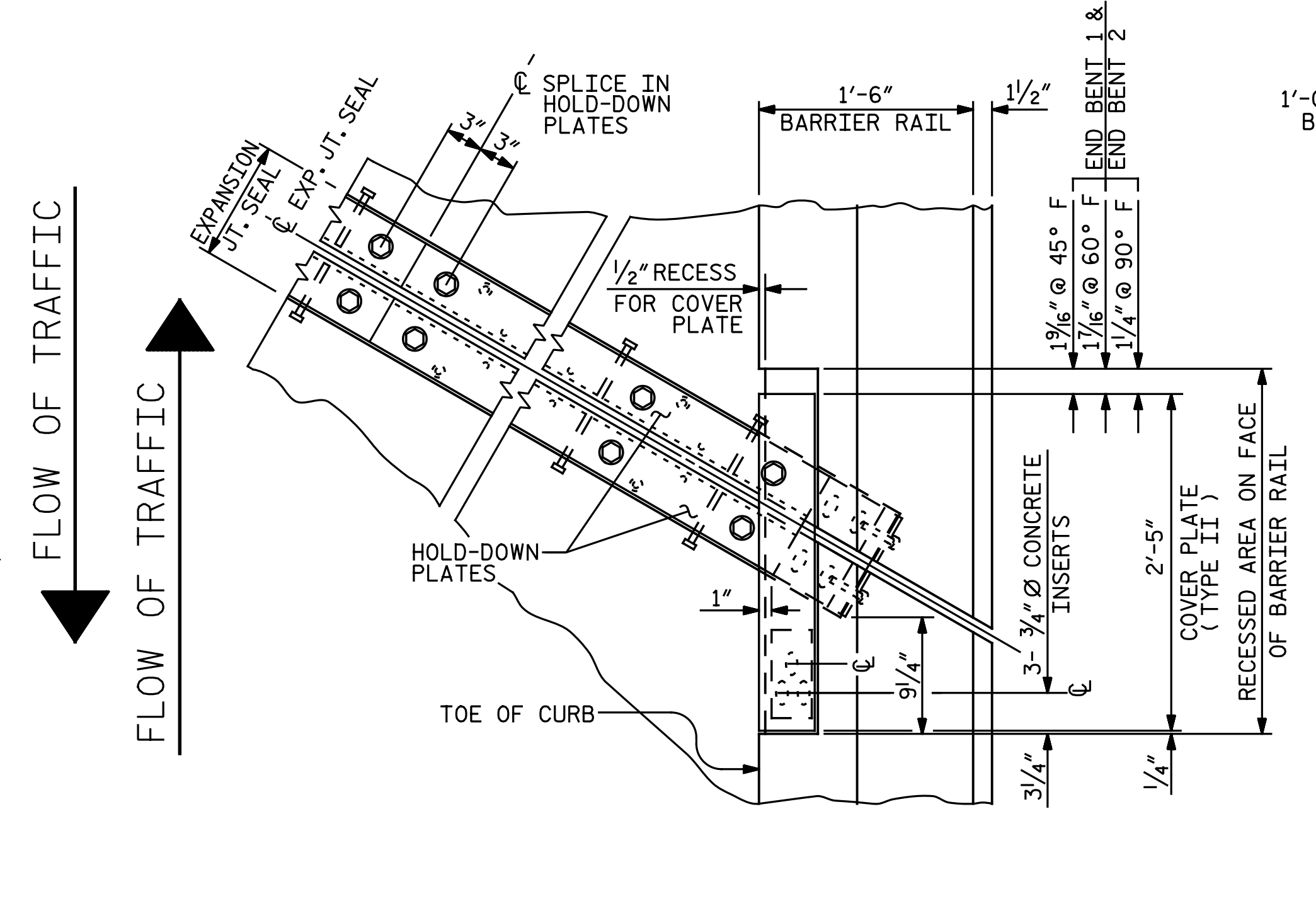


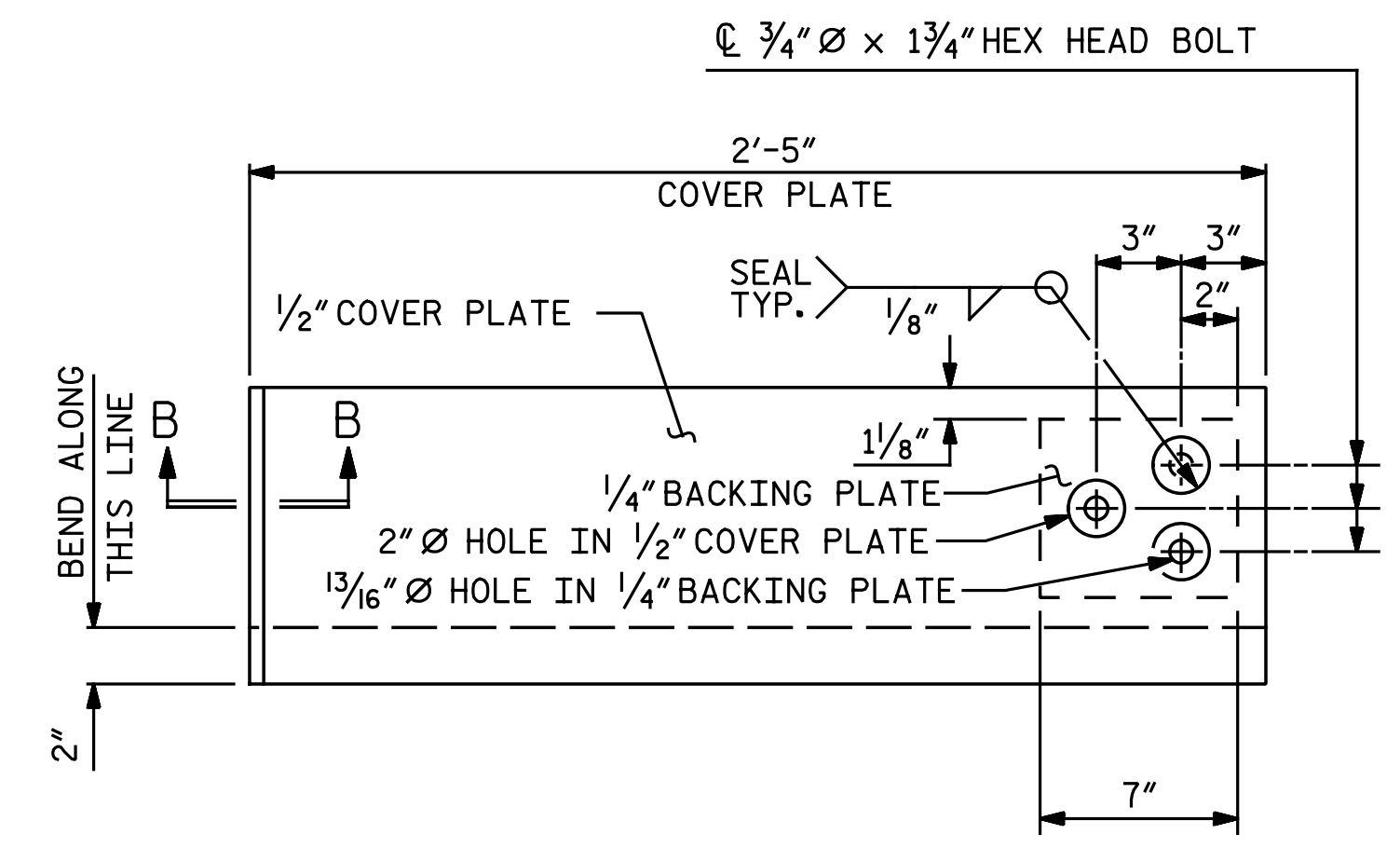
SECTION THRU RAIL NORMAL TO JOINT



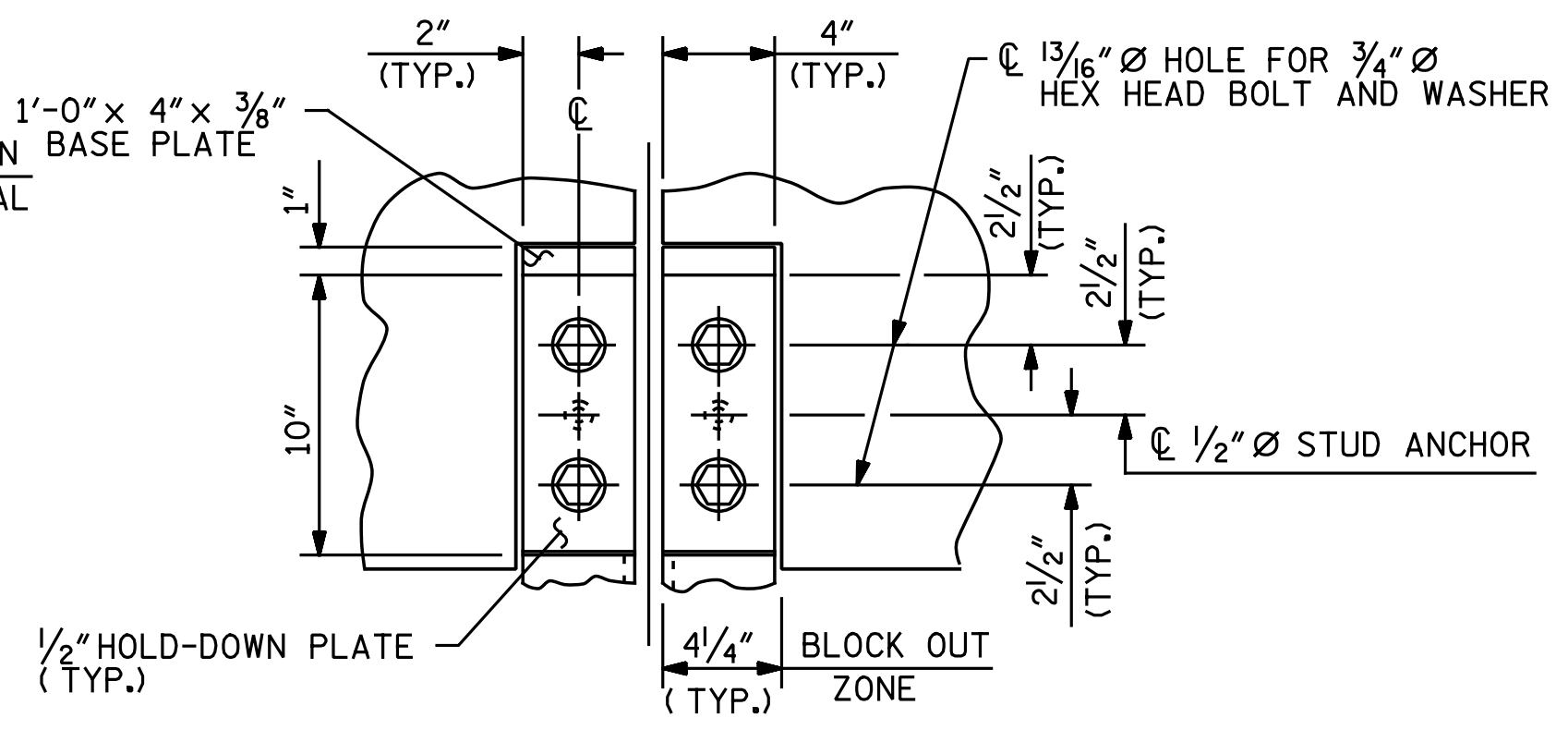
PLAN OF EXPANSION JOINT SEAL



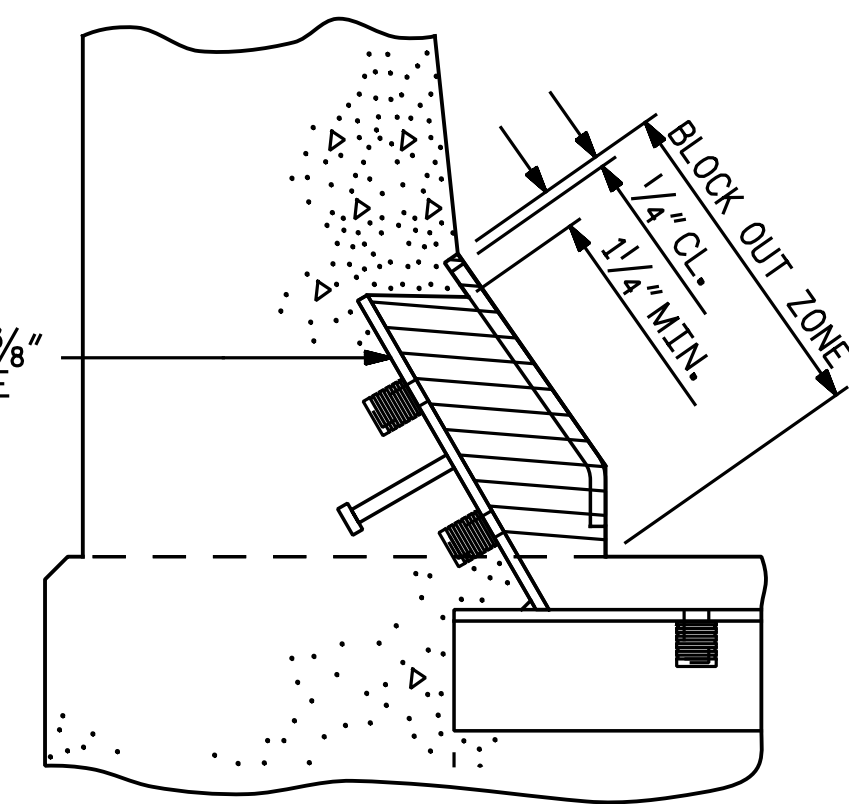
SECTION A - A



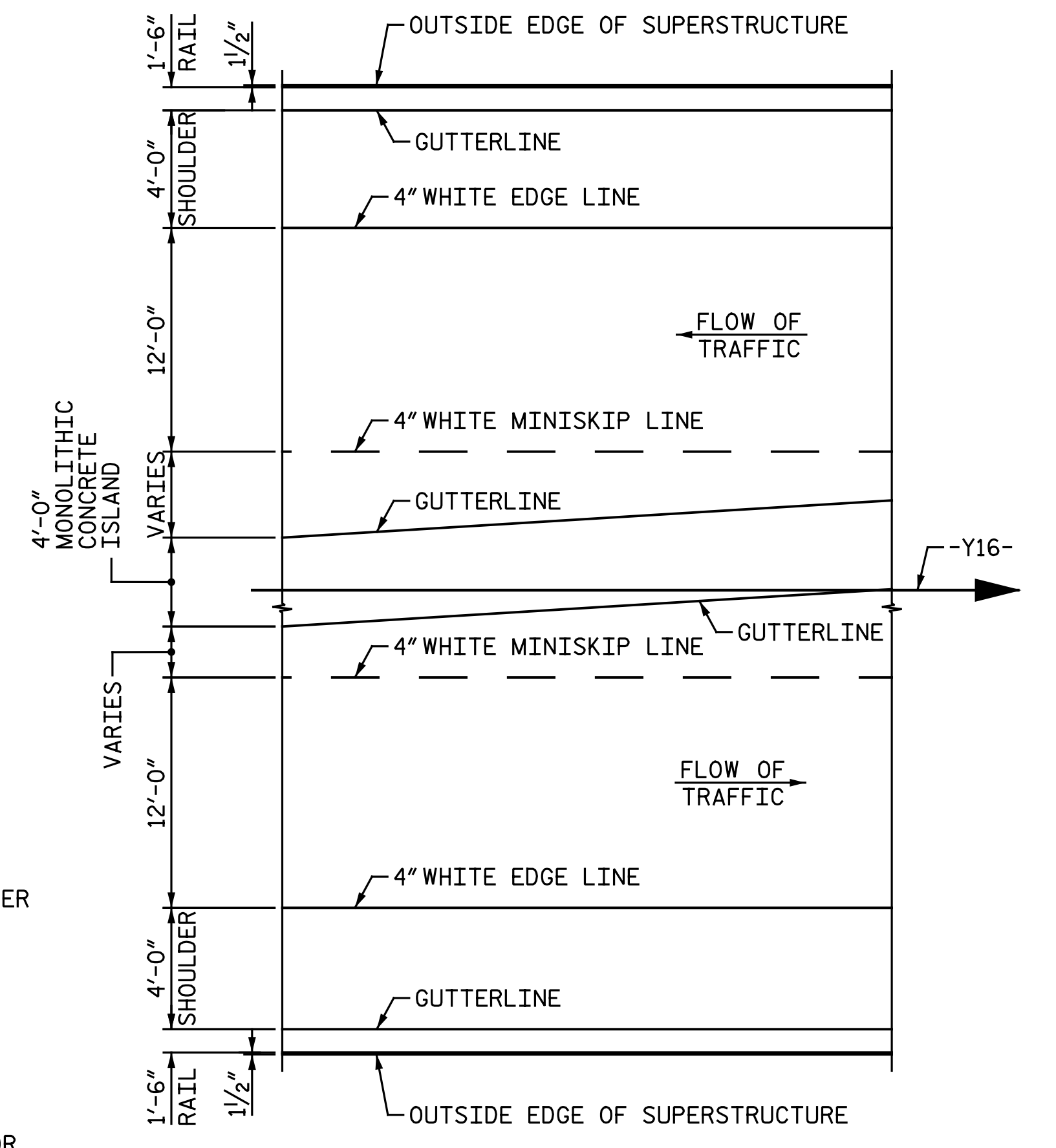
TYPE II - ELEVATION VIEW
COVER PLATE DETAILS



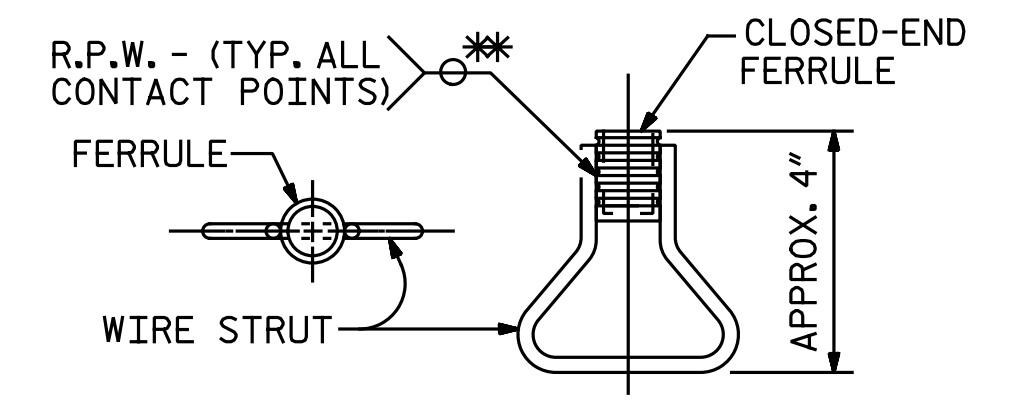
SECTION B - B



BLOCK OUT DETAIL
SEE "SECTION A - A" FOR OTHER DETAILS.



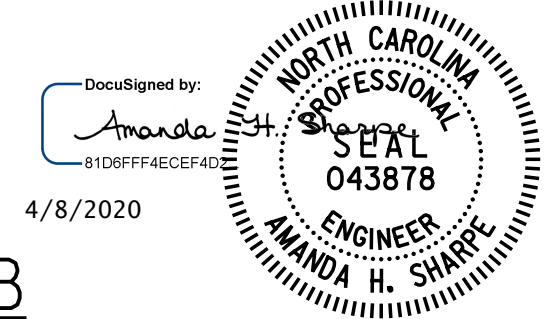
PAVEMENT MARKING ALIGNMENT



CONCRETE INSERT
PLAN ELEVATION

* EACH WELDED ATTACHMENT OF WIRE TO FERRULE SHALL DEVELOP THE TENSILE STRENGTH OF THE WIRE.

PROJECT NO. I-5883
HARNETT COUNTY
STATION: 27+09.19 -Y16-



ASSEMBLED BY : N. B. SPEAKS	DATE : 9-7-17
CHECKED BY : A. H. SHARPE	DATE : 10-2-18
DRAWN BY : REK 9/87	REV. 7/12 MAA/GM
CHECKED BY : CRK 10/87	REV. 6/13 MAA/GM
	REV. 12/17 MAA/THC

DOCUMENT NOT CONSIDERED FINAL
UNLESS ALL SIGNATURES COMPLETED

Michael Baker International
Michael Baker Engineering
8000 Regency Parkway, Suite 600
Cary, North Carolina 27518
NC License No. : F-1084

STATE OF NORTH CAROLINA
DEPARTMENT OF TRANSPORTATION
RALEIGH
STANDARD
EXPANSION JOINT
SEAL DETAILS
FOR BARRIER RAIL

REVISIONS						SHEET NO. SI-20
NO.	BY:	DATE:	NO.	BY:	DATE:	
1			3			TOTAL SHEETS
2			4			35