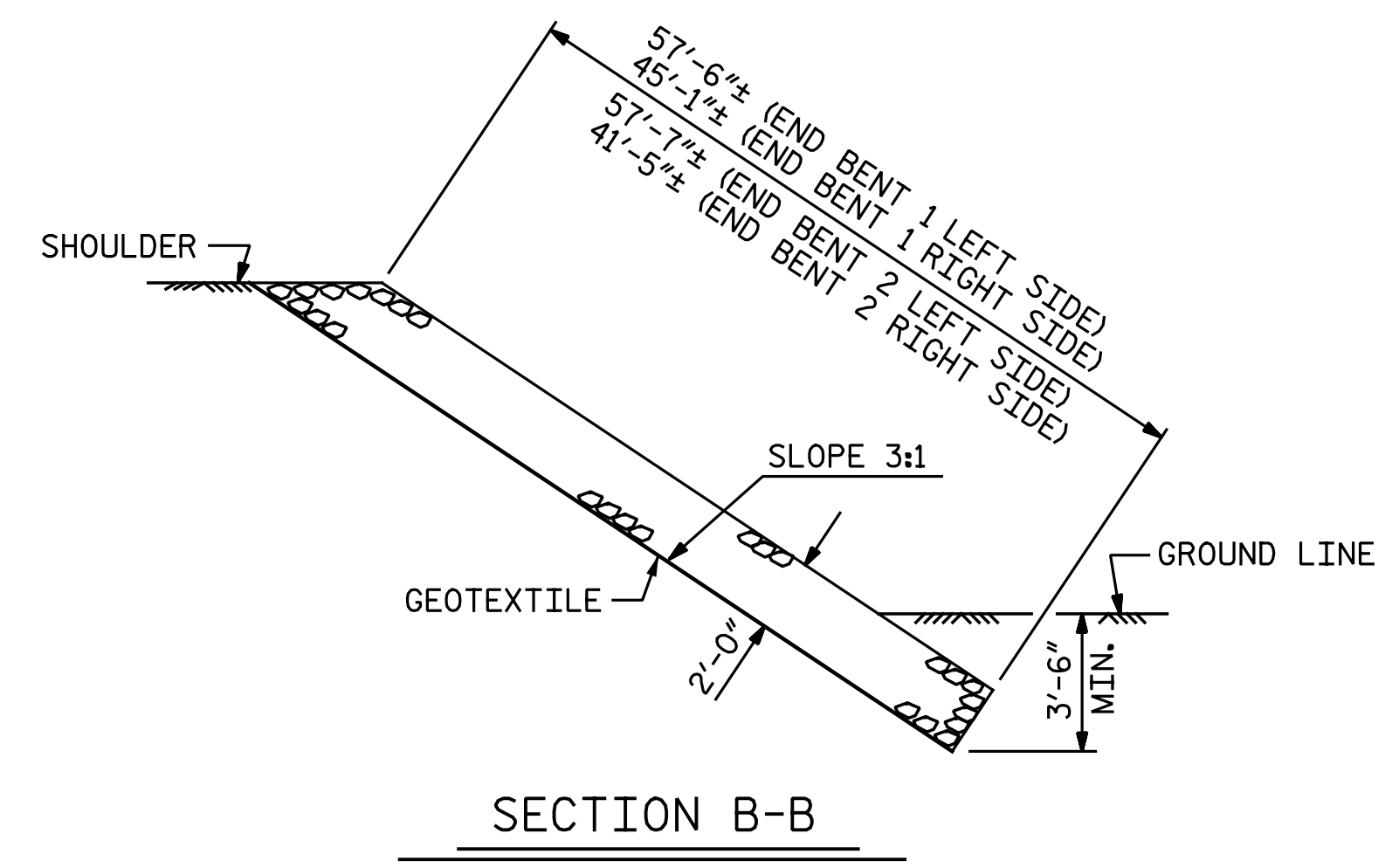
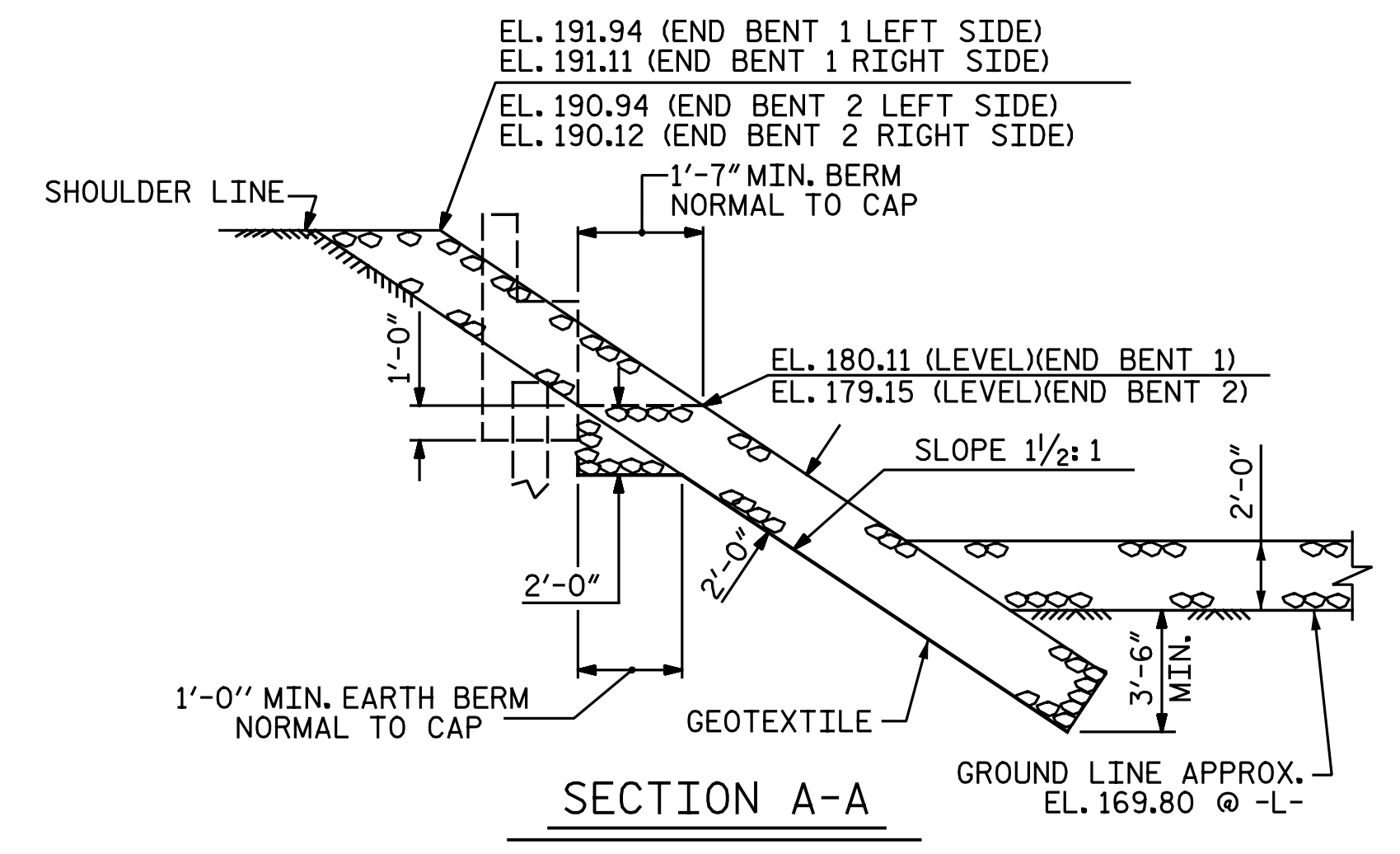


ESTIMATED QUANTITIES			
	BRIDGE @ STA. 1391+19.65 -L-	RIP RAP CLASS II (2'-0" THICK)	GEOTEXTILE FOR DRAINAGE
		TONS	SQUARE YARDS
STAGE I	END BENT 1	310	340
	END BENT 2	470	520
STAGE II	END BENT 1	325	360
	END BENT 2	270	300
STAGE III	END BENT 1	155	170
	END BENT 2	155	170
TOTAL	END BENT 1	790	870
	END BENT 2	895	990



PLAN OF RIP RAP
FOR LIMITS OF TEMPORARY SHORING FOR MAINTENANCE OF TRAFFIC, SEE TRAFFIC CONTROL PLANS.

PROJECT NO. I-5986B
JOHNSTON COUNTY
STATION: 1391+19.65 -L-



STATE OF NORTH CAROLINA
DEPARTMENT OF TRANSPORTATION
RALEIGH

RIP RAP DETAILS

DRAWN BY: N. B. SPEAKS DATE: 2-13-20
CHECKED BY: J. M. GARRISON DATE: 2-13-20

DOCUMENT NOT CONSIDERED FINAL
UNLESS ALL SIGNATURES COMPLETED
Michael Baker INTERNATIONAL

REVISIONS						SHEET NO.
NO.	BY:	DATE:	NO.	BY:	DATE:	S3-40
1			3			TOTAL SHEETS
2			4			44